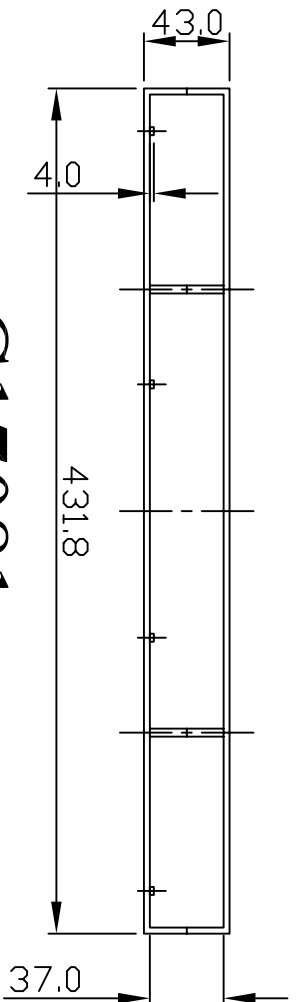
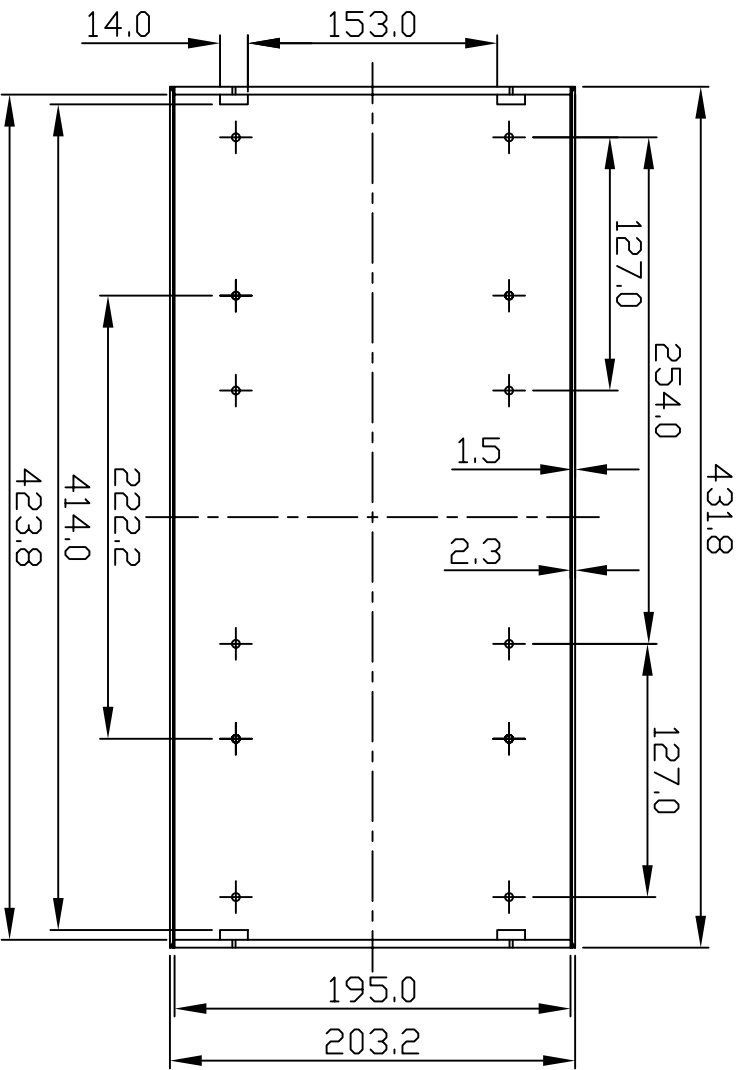
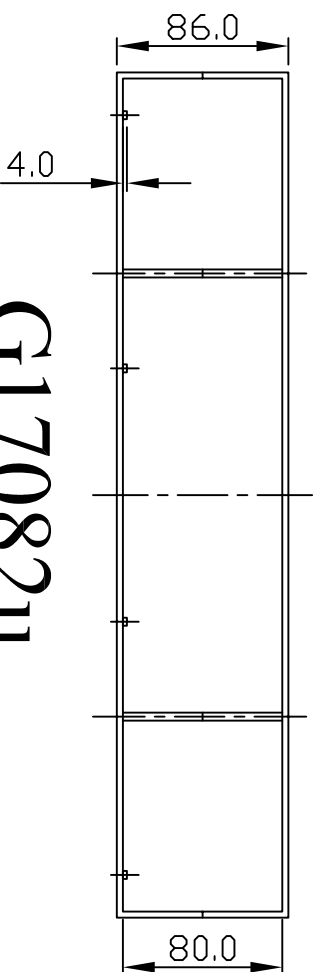


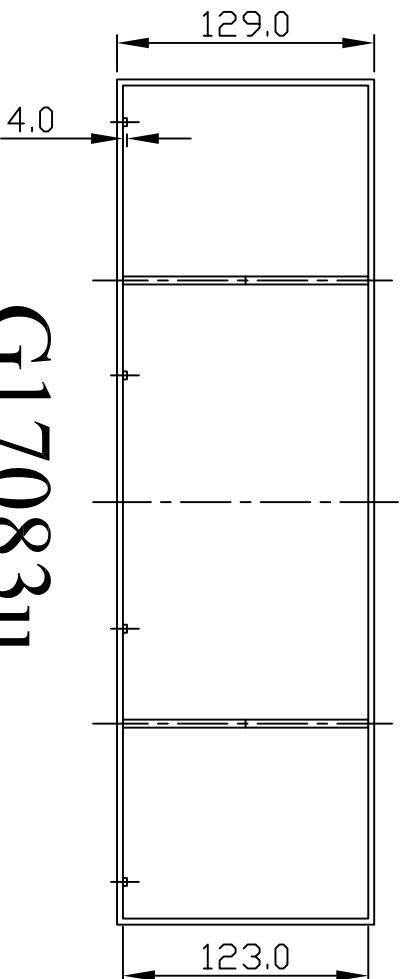
G1708



G17081u



G17082u



G17083u

宜又實業有限公司
GAINTA INDUSTRIES LTD.

DESIGN BY

DRAWN BY

CHECKED BY

SCALE 1:4

DATE

MATERIAL ALU

TITLE: G1708

DWG NO.

REVISED

DESCRIPTION