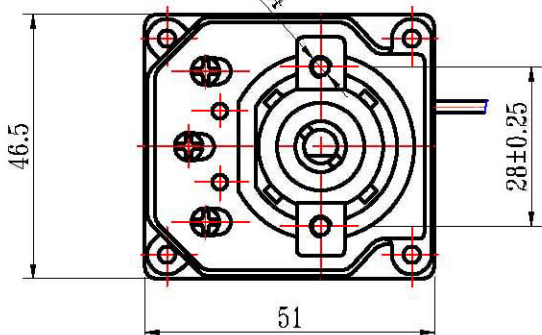
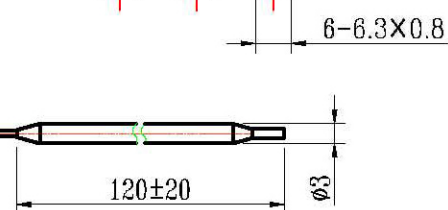


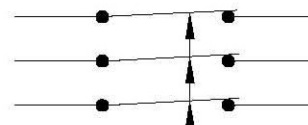
Stainless Steel
1000±50



Adjust shaft at HIGH position



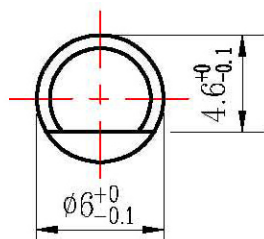
(T. P. S. T)



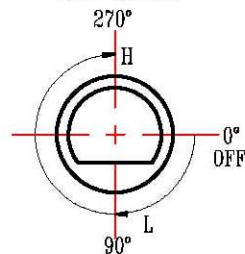
ARROW INDICATE
TEMPERATURE RISING

SHAFT DETAIL

3:1



DIAL LAYOUT



Operating Temperature Electrical Rating

state	location	HIGH	LOW
ON (°C)		---	---
OFF (°C)		85±4	(30)
DIFF (°C)		2~6	---

1. The value of operating Temp. is the testing value of surrounding Temp.25 °C. Operating Temp.need to be compensated if the surrounding Temp. higher or lower than 25 °C.
2. The value of operating Temp.is depended on the second measurement.
3. The value of barometric is 780mmHg.

Rating Voltage(V)	AC
Rating current(A)	250
resistance load current	16A

Contact Resistance	Below 50mΩ
Insulation Voltage	Above DC500V100MΩ
Insulation Voltage	AC1500V1min Or AC1800V 1s
Charge	Liquid
Testing condition	(liquid)The change velocity of Temp.<1t/min
Temp. allowed	Main-body: 125°C Detector: OFF+30°C
Life run for operation	100,000 circle
The way of Installation	No Restriction
Operataing moment	2~5N.cm

MARK NUM.	FILE NUM.	SIGN	DATE
DESIGN	ENGINEER	DATE	2017. 11. 02
COLLATE		DATE	
AUDITING		DATE	
approval		DATE	

THERMOSTAT

WK-R33 30-85C