

IP65 SEALED DUAL-COMPARTMENT ENCLOSURE



PRODUCT INFORMATION

- 5 different sizes of wall mounting cases with separate terminal compartment for you to use in measurement & control application.
- These cases are able to be used with din EN60715 rail (35mm).
- Hinge type of transparent cover (left-hand or right-hand hinge) for you to view the terminal, open and close the cover easily.
- Fastening pillars and guide grooves for vertical and horizontal installation of printed circuit boards.
- PG or Metric rated break points are designed for you to use the IP68 cable glands (PG or Metric type) well.

TYPE A

DCXXXCUL SERIES



TYPE B

DCXXXCBU SERIES



TYPE C

DCXXXCBUNO SERIES



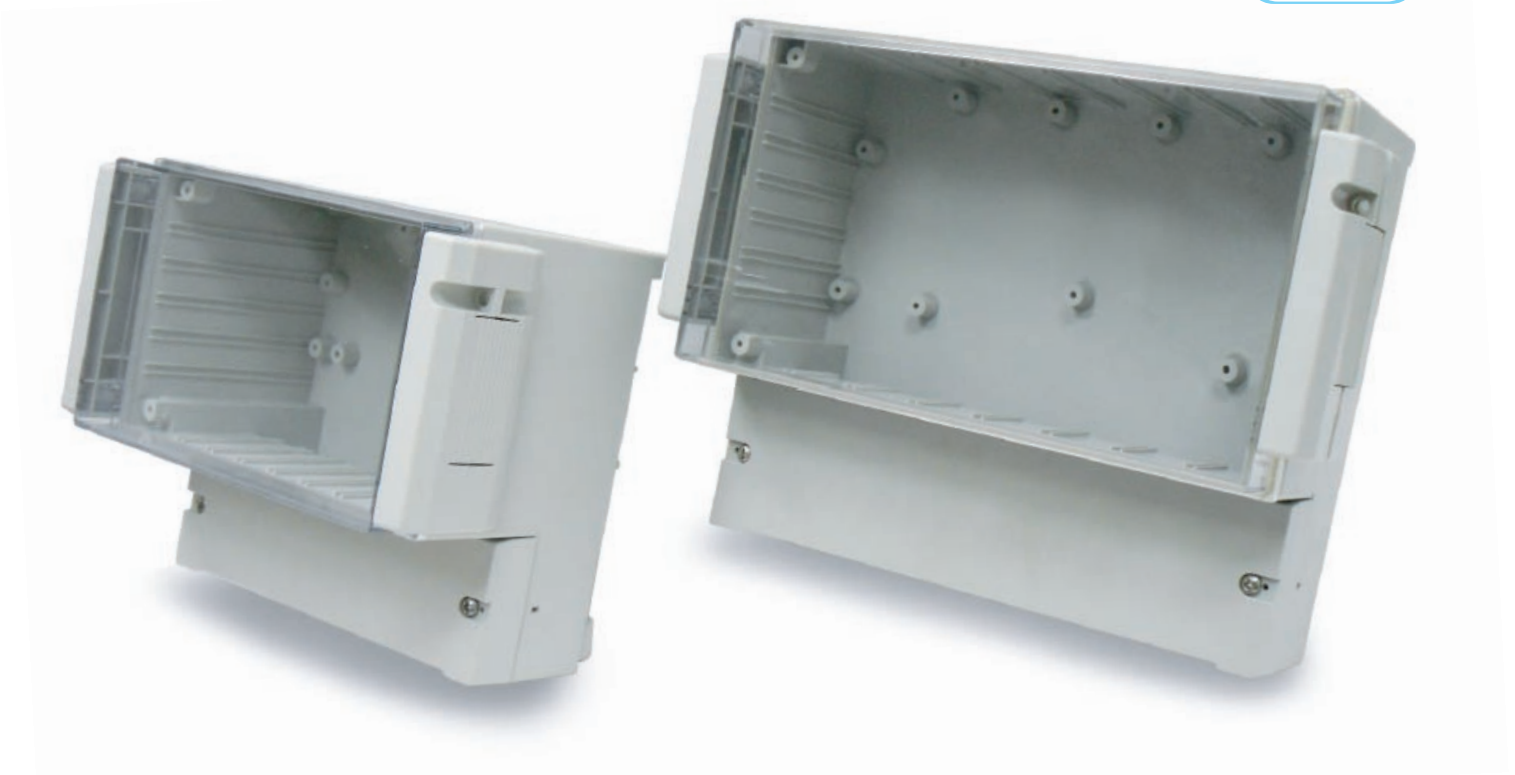
TYPE D

DCXXXLGN0 SERIES



DCXXXCUL SERIES

DC001CUL, DC003CUL, DC005CUL, DC007CUL, DC009CUL



Example: DC001CUL



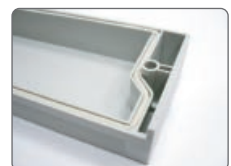
PRODUCT INFORMATION

- Material: UL94-V0 rating of PC/ABS (grey base, grey lid, hinge kit)
UL94-V0 rating of Polycarbonate (transparent lid)
- Color: Light grey, similar to RAL7038 with transparent lid.
- Recommended working temperature: -40°C to +120°C
- Ingress Protection: IP65 certified, EPDM gasket pre-installed.

Gasket pre-installed

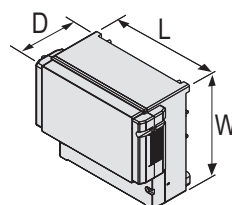


Transparent lid



Terminal compartment lid

ITEM No.	MATERIAL	EXTERNAL DIMENSION(mm)
DC001CUL	PC/ABS, UL94-V0	166 x 161 x 93
DC003CUL	PC/ABS, UL94-V0	166 x 161 x 121
DC005CUL	PC/ABS, UL94-V0	213 x 185 x 104.5
DC007CUL	PC/ABS, UL94-V0	256 x 217 x 132.5
DC009CUL	PC/ABS, UL94-V0	296 x 281 x 158



DCXXXCBU SERIES

DC001CBU, DC003CBU, DC005CBU, DC007CBU, DC009CBU



Example: DC003CBU



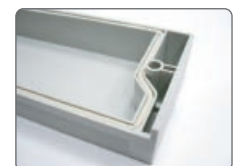
PRODUCT INFORMATION

- Material: UL94-HB rating of ABS (grey base, gray lid, hinge kit)
UL94-HB rating of Polycarbonate (Transparent blue lid)
- Color: Light grey, similar to RAL 7035 with transparent blue lid.
- Recommended working temperature: -20°C to +80°C
- Ingress Protection: IP65 certified, EPDM gasket pre-installed.

Gasket pre-installed

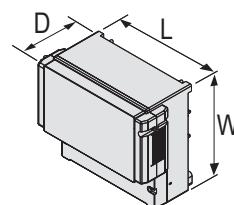


Transparent blue lid



Terminal compartment lid

ITEM No.	MATERIAL	EXTERNAL DIMENSION(mm)
DC001CBU	ABS, UL94-HB	166 x 161 x 93
DC003CBU	ABS, UL94-HB	166 x 161 x 121
DC005CBU	ABS, UL94-HB	213 x 185 x 104.5
DC007CBU	ABS, UL94-HB	256 x 217 x 132.5
DC009CBU	ABS, UL94-HB	296 x 281 x 158



DCXXxCBUNO SERIES

DC001CBUNO, DC003CBUNO, DC005CBUNO
DC007CBUNO, DC009CBUNO



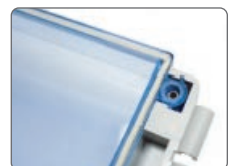
Example: DC009CBUNO



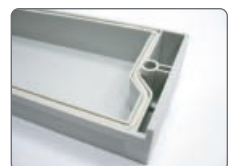
PRODUCT INFORMATION

- Material: UL94-HB rating of ABS(Grey base, gray lid)
- UL94-HB rating of Polycarbonate(Transparent blue lid)
- Color: Light grey, similar to RAL 7035 with transparent blue lid.
- Recommended working temperature: -20°C to +80°C.
- Ingress Protection: IP 65 certified, EPDM gasket pre-installed.

Gasket pre-installed

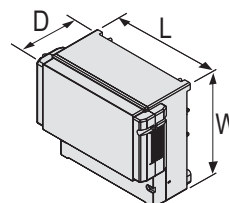


Transparent blue lid



Terminal compartment lid

ITEM No.	MATERIAL	EXTERNAL DIMENSION(mm)
DC001CBUNO	ABS, UL94-HB	166 x 161 x 93
DC003CBUNO	ABS, UL94-HB	166 x 161 x 121
DC005CBUNO	ABS, UL94-HB	213 x 185 x 104.5
DC007CBUNO	ABS, UL94-HB	256 x 217 x 132.5
DC009CBUNO	ABS, UL94-HB	296 x 281 x 158



DCXXXLGNO SERIES

DC001LGNO, DC003LGNO, DC005LGNO
DC007LGNO, DC009LGNO



Example: DC005LGNO



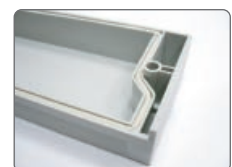
PRODUCT INFORMATION

- Material: UL94-HB rating of ABS.
- Color: Light grey, similar to RAL 7035.
- Recommended working temperature: -20°C to +80°C.
- Ingress Protection: IP 65 certified, EPDM gasket pre-installed.

Gasket pre-installed

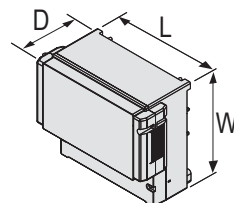


Gray lid



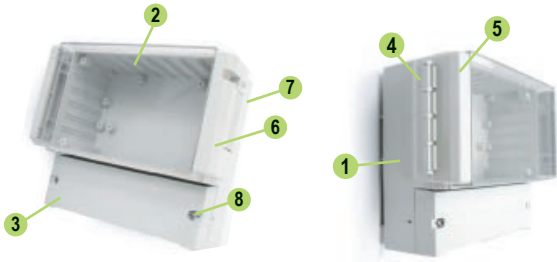
Terminal compartment lid

ITEM No.	MATERIAL	EXTERNAL DIMENSION(mm)
DC001LGNO	ABS, UL94-HB	166 x 161 x 93
DC003LGNO	ABS, UL94-HB	166 x 161 x 121
DC005LGNO	ABS, UL94-HB	213 x 185 x 104.5
DC007LGNO	ABS, UL94-HB	256 x 217 x 132.5
DC009LGNO	ABS, UL94-HB	296 x 281 x 158

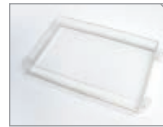


CONTENT

TYPE A DCXXXCUL SERIES



1. Cabinets



2. Transparent lid



3. Terminal compartment lid



4. Hinge clip



5. Hinge bar



6. Locking hook

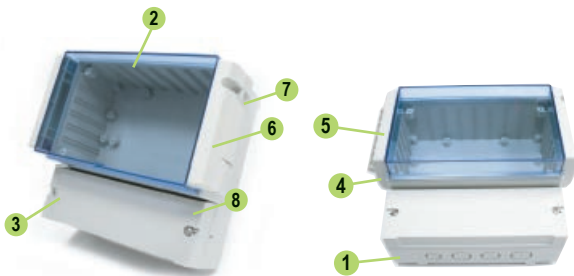


7. Lower locking hook



8. Screws for terminal compartment lid use
remark: M4X25MM self tapping screws(2pcs)

TYPE B DCXXXCBU SERIES



1. Cabinets



2. Transparent blue lid



3. Terminal compartment lid



4. Hinge clip



5. Hinge bar



6. Locking hook

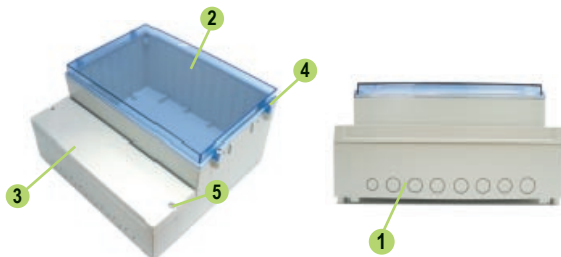


7. Lower locking hook



8. Screws for terminal compartment lid use
remark: M4X25MM self tapping screws(2pcs)

TYPE C DCXXXCBUNO SERIES



1. Cabinets



2. Transparent blue lid



3. Terminal compartment lid

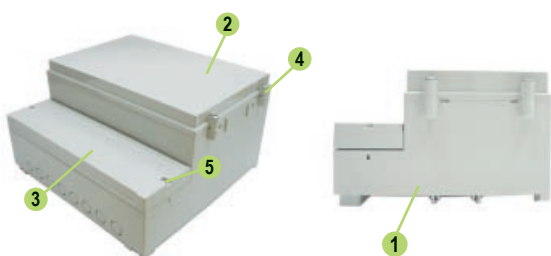


4. Screws for transparent blue lid use
remark: M5.5X27MM self tapping screws(4pcs)



5. Screws for terminal compartment lid use
remark: M4X25MM self tapping screws(2pcs)

TYPE D DCXXXLGNO SERIES



1. Cabinets



2. Grey lid



3. Terminal compartment lid



4. Screws for grey lid use
remark: M5.5X27MM self tapping screws(4pcs)



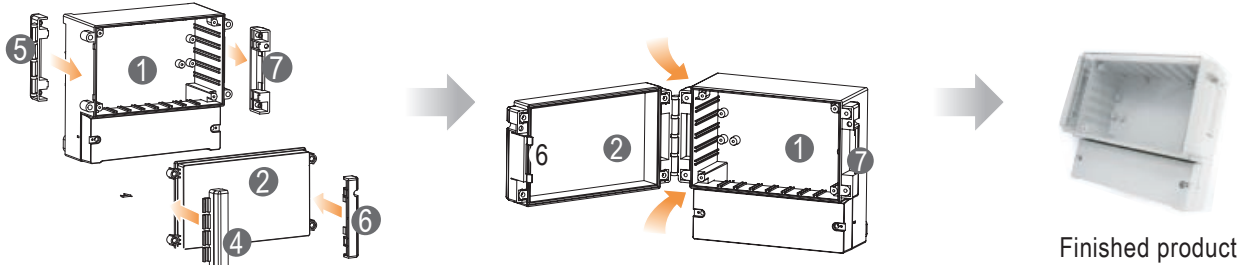
5. Screws for terminal compartment lid use
remark: M4X25MM self tapping screws(2pcs)

ASSEMBLY INSTRUCTION

FOR DCXXXCUL SERIES (TYPE A), DCXXXCBU(TYPE B)

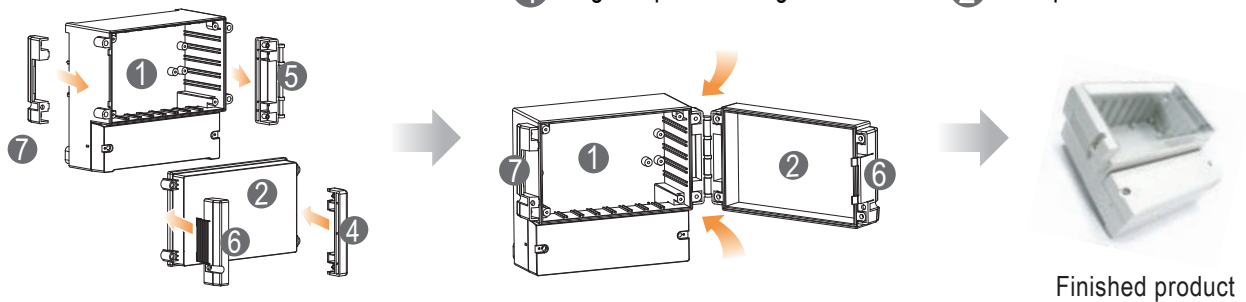
Left-hand hinge

1. To assemble the ⑤ hinge bar on the left side of the ① cabinets.
2. To assemble the ⑦ lower locking hook on the right side of the ① cabinets.
3. To assemble the ④ hinge clip on the left side of the ② transparent lid.
4. To assemble the ⑥ locking hook on the right side of the ② transparent lid.



Right-hand hinge

1. To assemble the ⑦ lower locking hook on the left side of the ① cabinets.
2. To assemble the ⑤ hinge bar on the right side of the ① cabinets.
3. To assemble the ⑥ locking hook on the left side of the ② transparent lid.
4. To assemble the ④ hinge clip on the right side of the ② transparent lid.



OTHER FEATURES

Mounting brackets (Optional)

Can be assembled with the mounting brackets.



MF-001LG(4PCS)



* Optional

Designed to assemble with the IP68 cable glands (PG or Metric type).



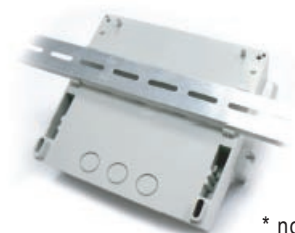
1. For PG 9 or M12 use.
2. For PG11 or M16 use.
3. For PG11 or M16 use.
4. For PG13.5 or M20 use.



For PG11 or M16 use.

Din EN60715 rail (35mm)

Can be assembled with the din EN60715 rail (35mm).



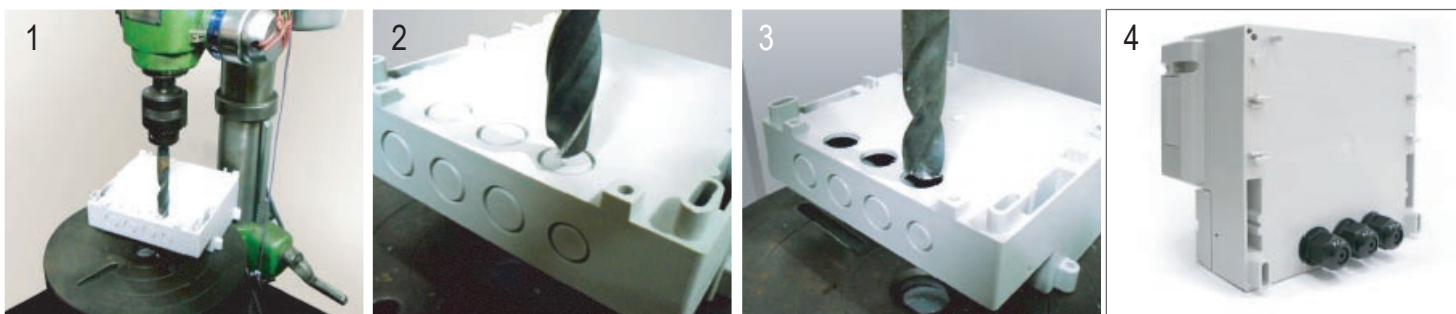
* not supply

Designed to assemble with the lock



* not supply

Example for The Drilling & Assembly of The Cable Gland with DC0XX Series of Plastic Box.

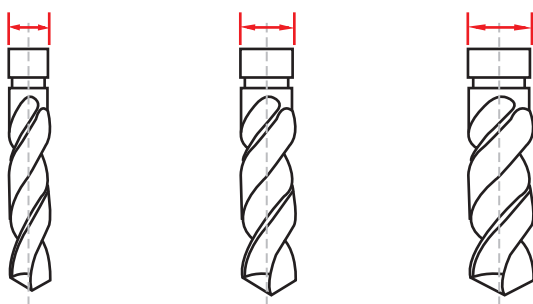


Recommended bit size

< A >
DIA 16.0 mm

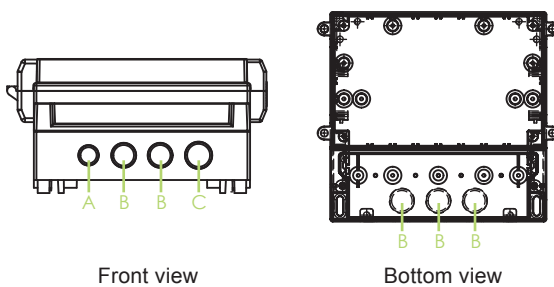
< B >
DIA 19.0 mm

< C >
DIA 21.0 mm

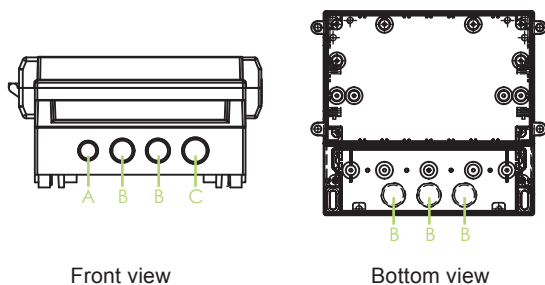


	Recommended bit size	Cable Gland
A	DIA 16.0 mm	PG9 (or M12)
B	DIA 19.0 mm	PG11 (or M16)
C	DIA 21.0 mm	PG13.5 (or M20)

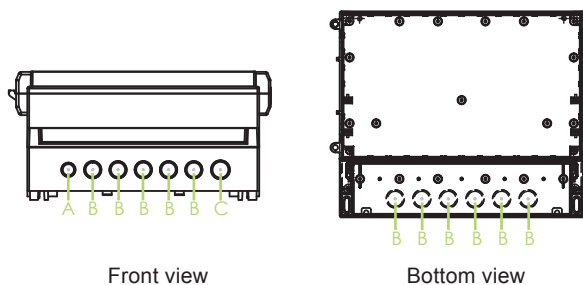
DC001CUL, DC001CBU, DC001LGNO, DC001CBUNO



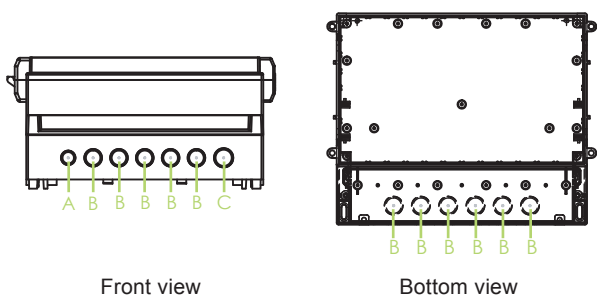
DC003CUL, DC003CBU, DC003LGNO, DC003CBUNO



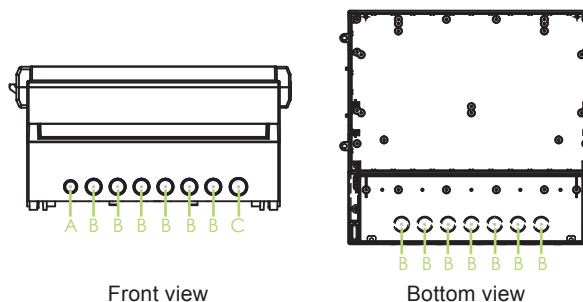
DC005CUL, DC005CBU, DC005LGNO, DC005CBUNO



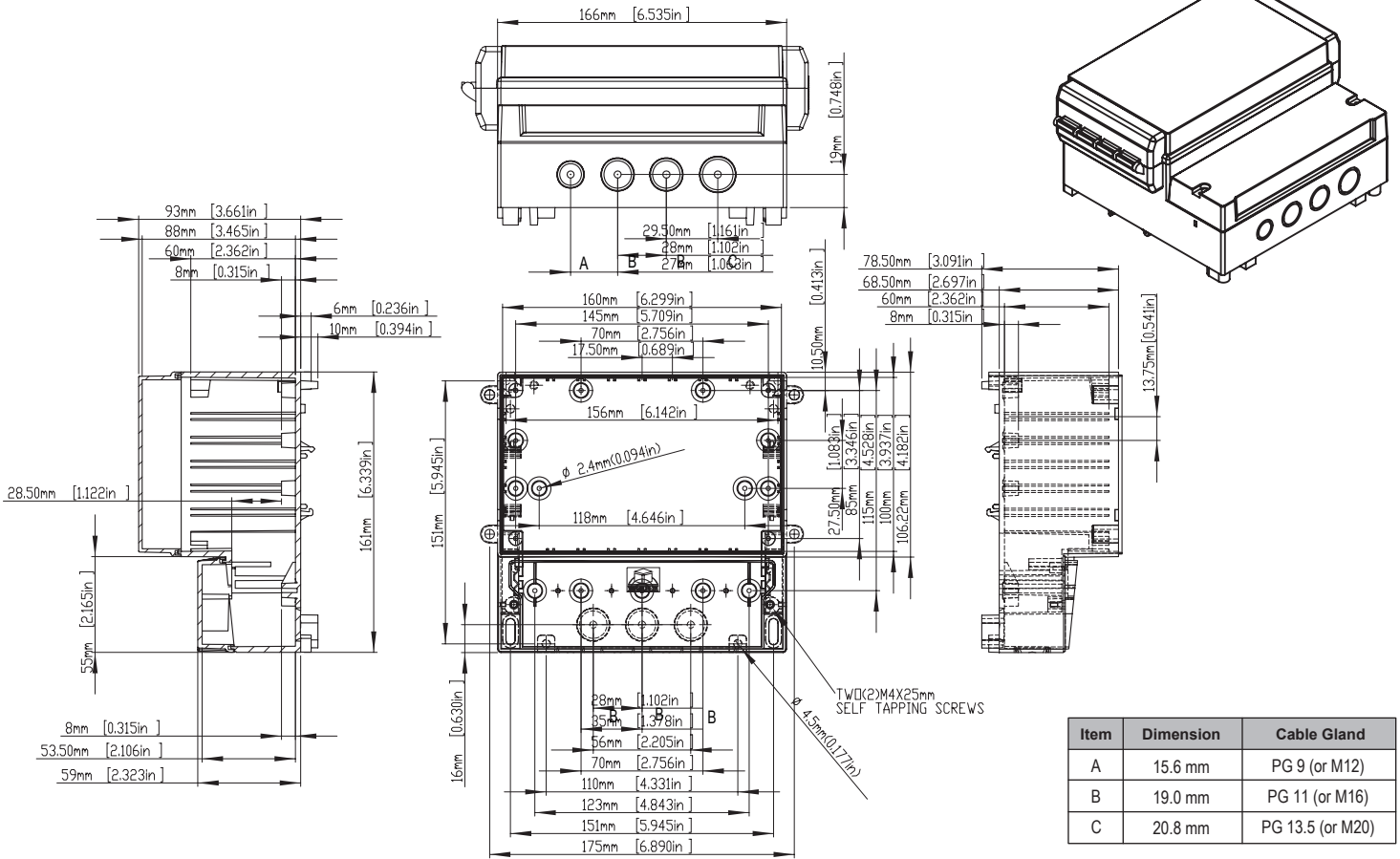
DC007CUL, DC007CBU, DC007LGNO, DC007CBUNO



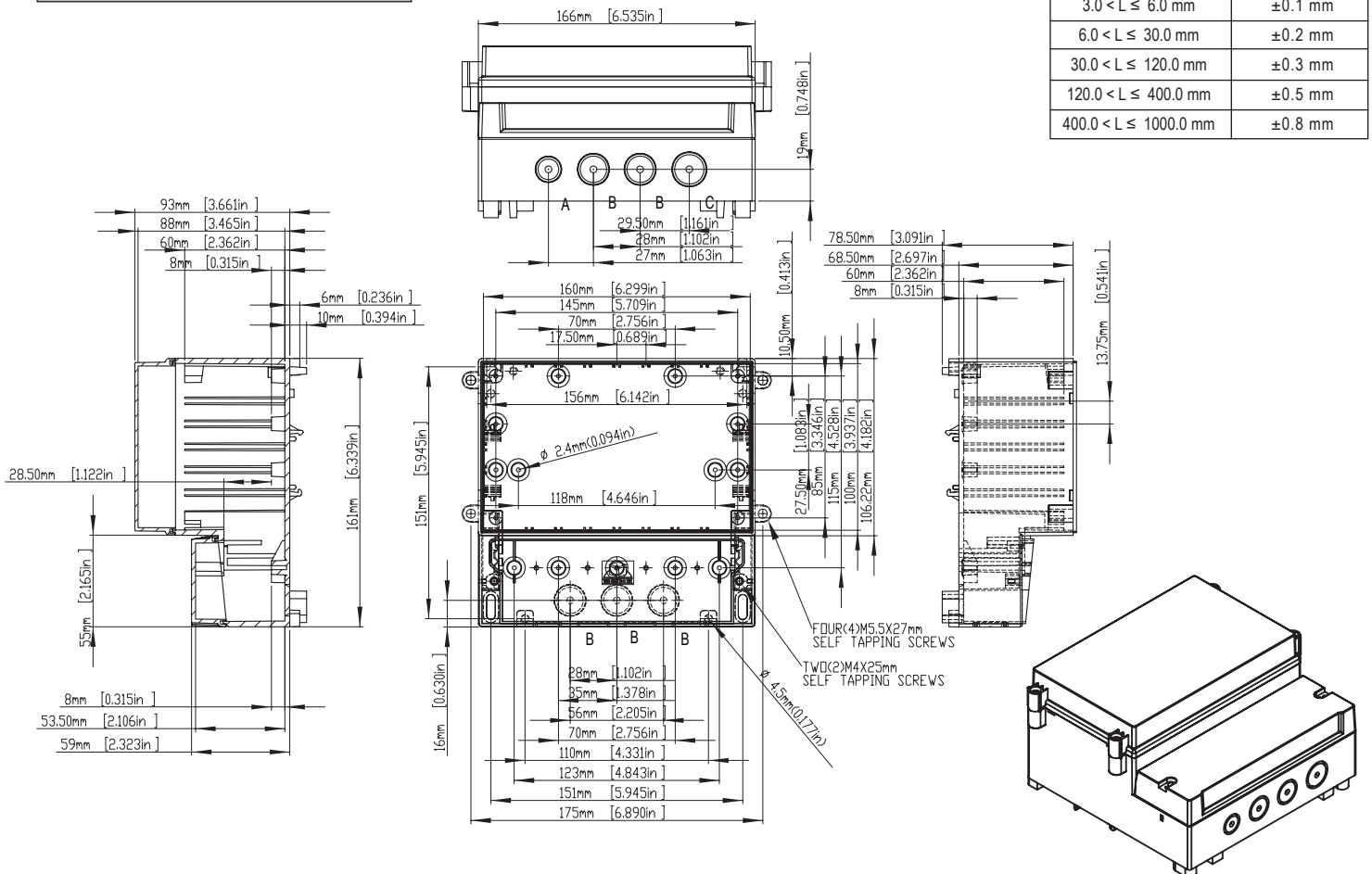
DC009CUL, DC009CBU, DC009LGNO, DC009CBUNO



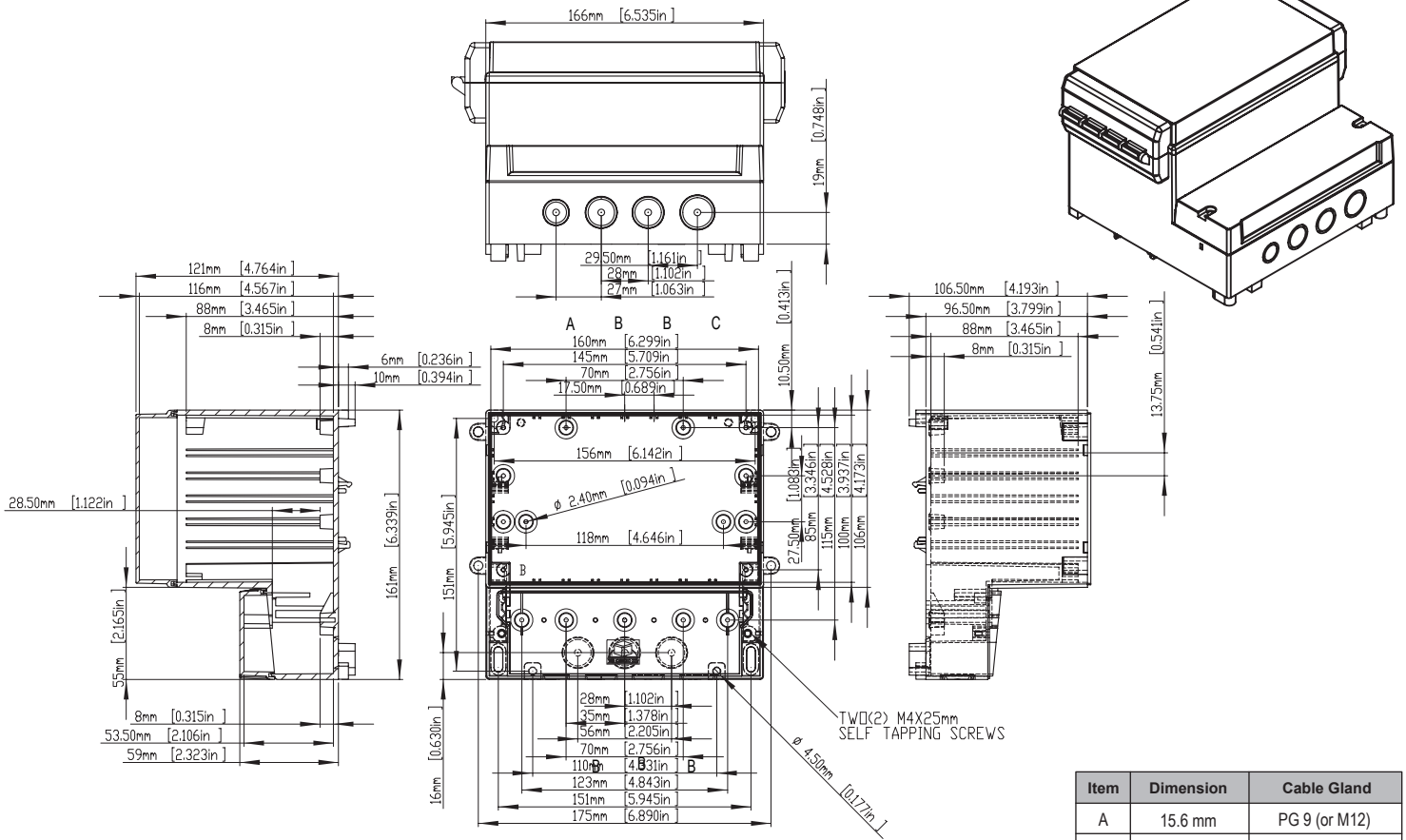
DC001CUL/DC001CBU



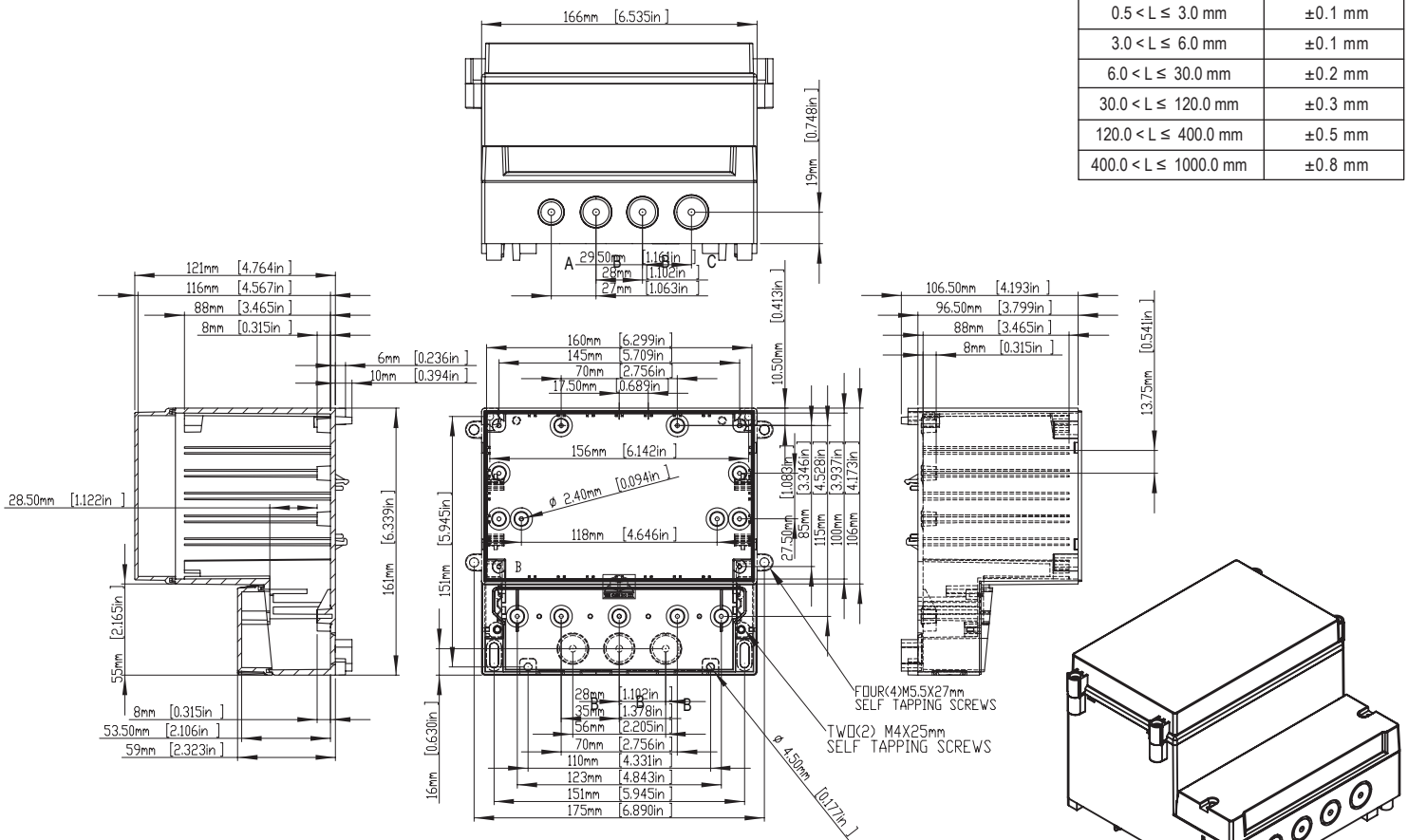
DC001CBUNO/DC001LGNO



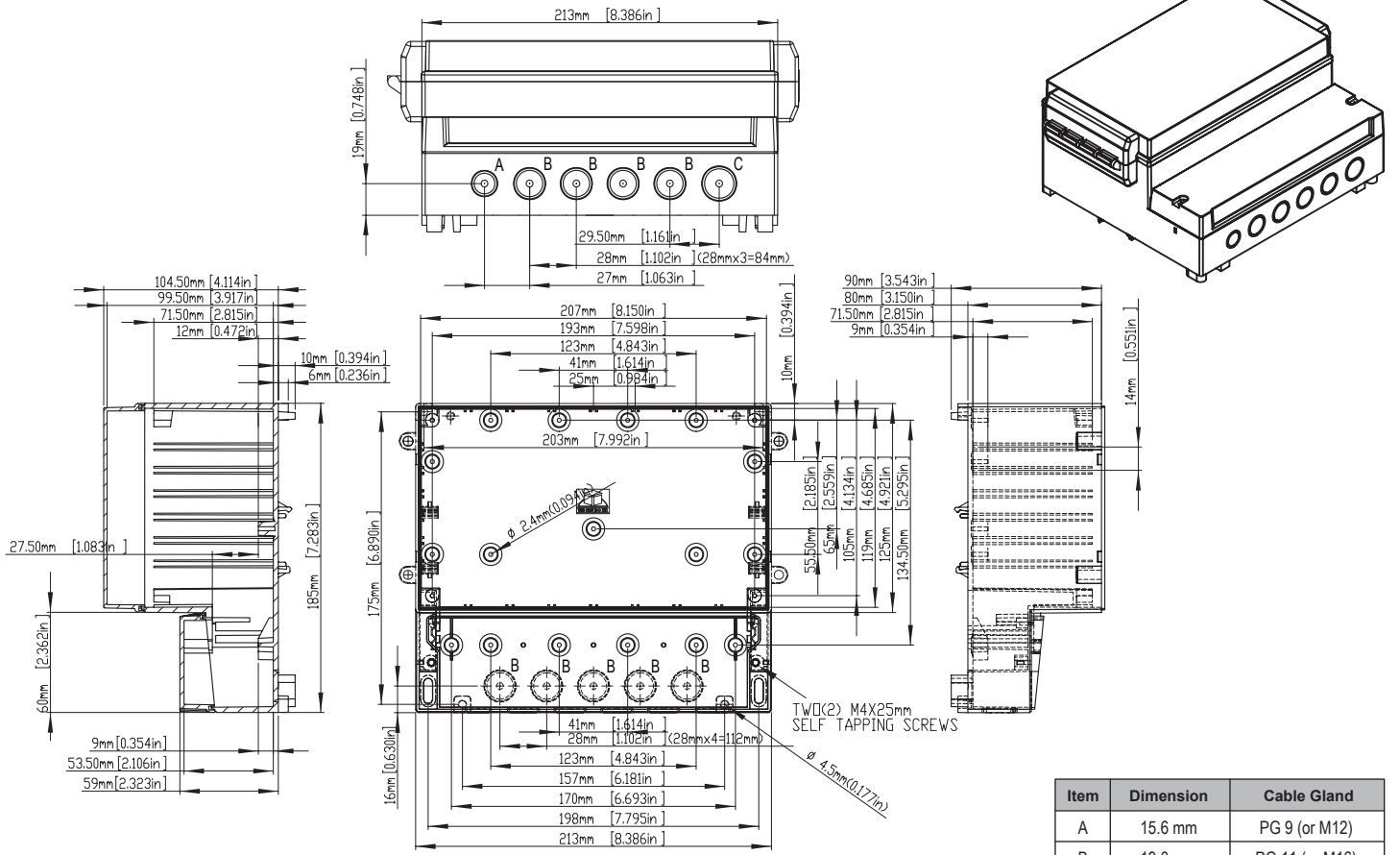
DC003CUL/DC003CBU



DC003CBUNO/DC003LGNO

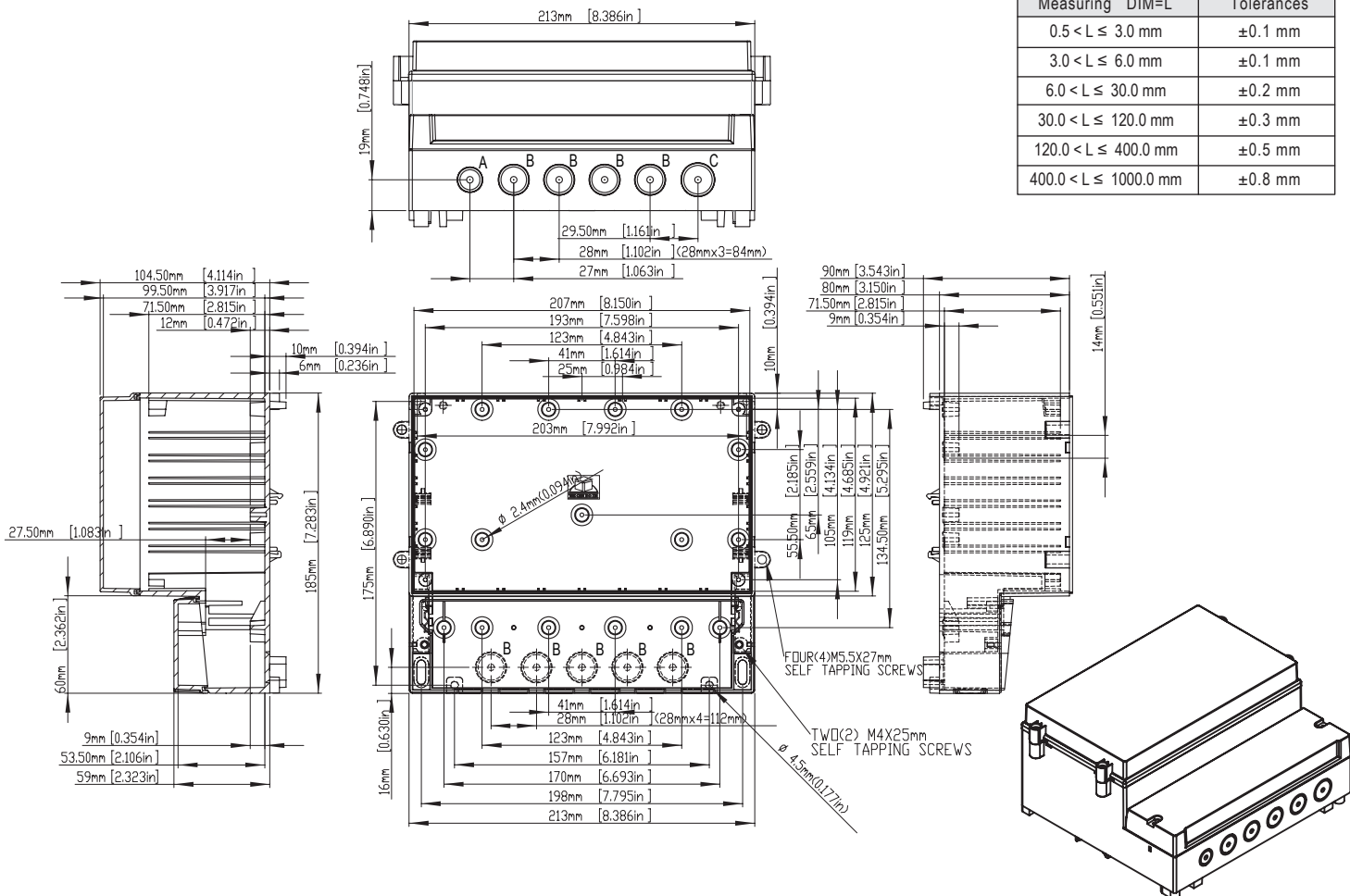


DC005CUL/DC005CBU



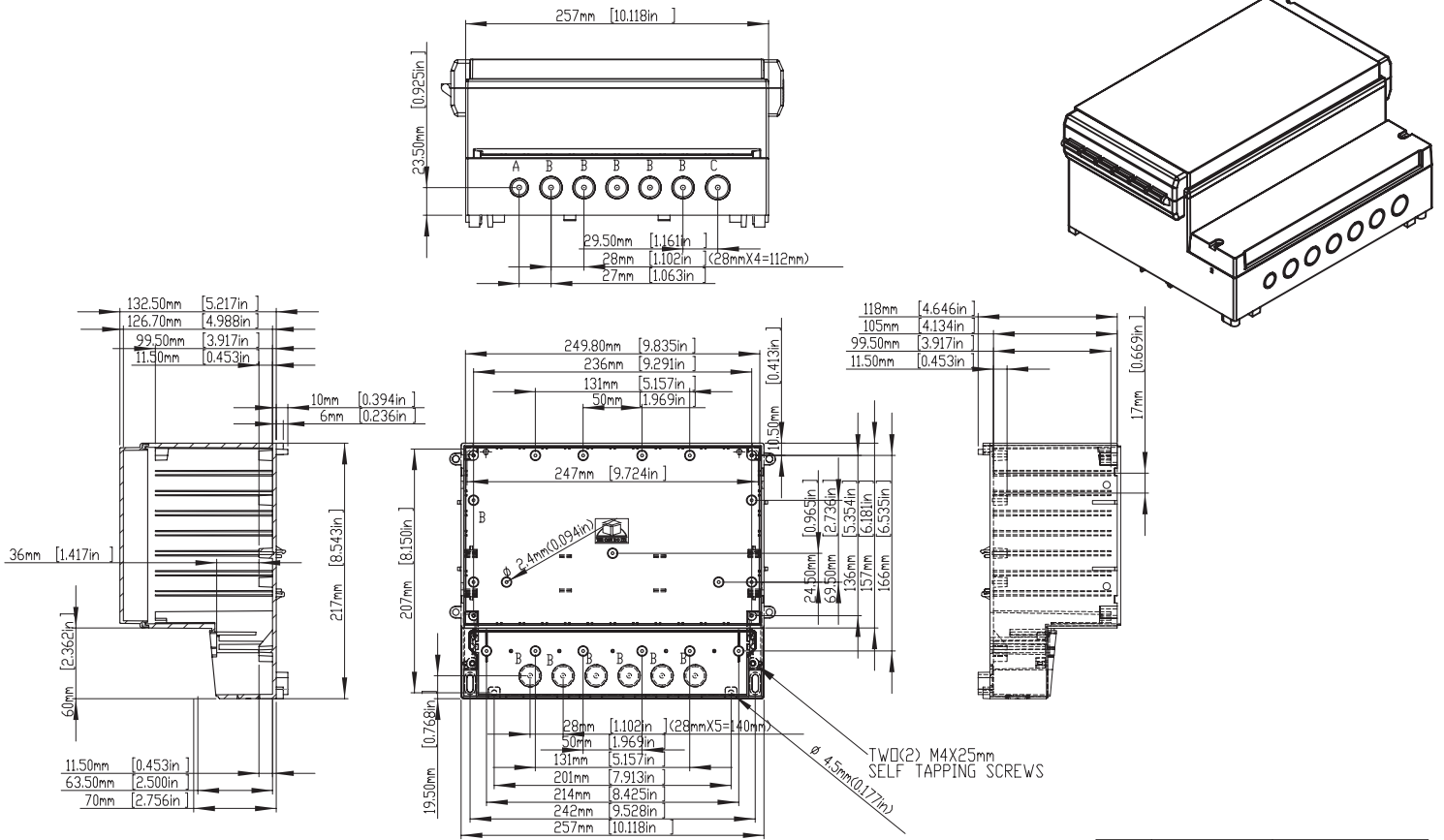
Item	Dimension	Cable Gland
A	15.6 mm	PG 9 (or M12)
B	19.0 mm	PG 11 (or M16)
C	20.8 mm	PG 13.5 (or M20)

DC005CBUNO/DC005LGNO



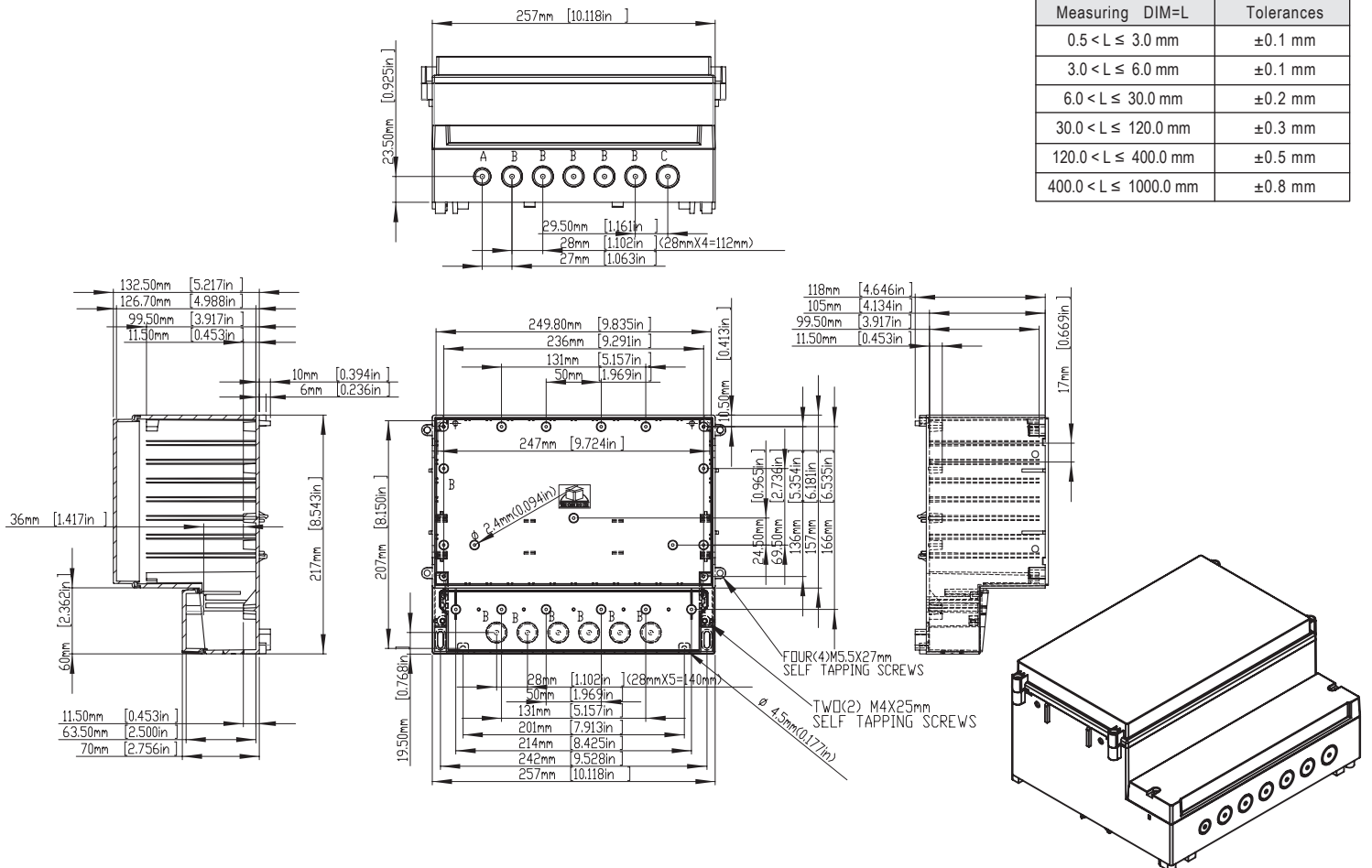
According to ISO 2768-m	
Measuring DIM=L	Tolerances
0.5 < L ≤ 3.0 mm	±0.1 mm
3.0 < L ≤ 6.0 mm	±0.1 mm
6.0 < L ≤ 30.0 mm	±0.2 mm
30.0 < L ≤ 120.0 mm	±0.3 mm
120.0 < L ≤ 400.0 mm	±0.5 mm
400.0 < L ≤ 1000.0 mm	±0.8 mm

DC007CUL/DC007CBU



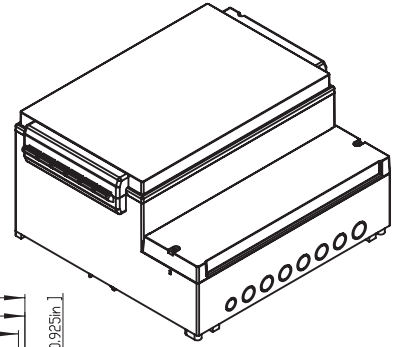
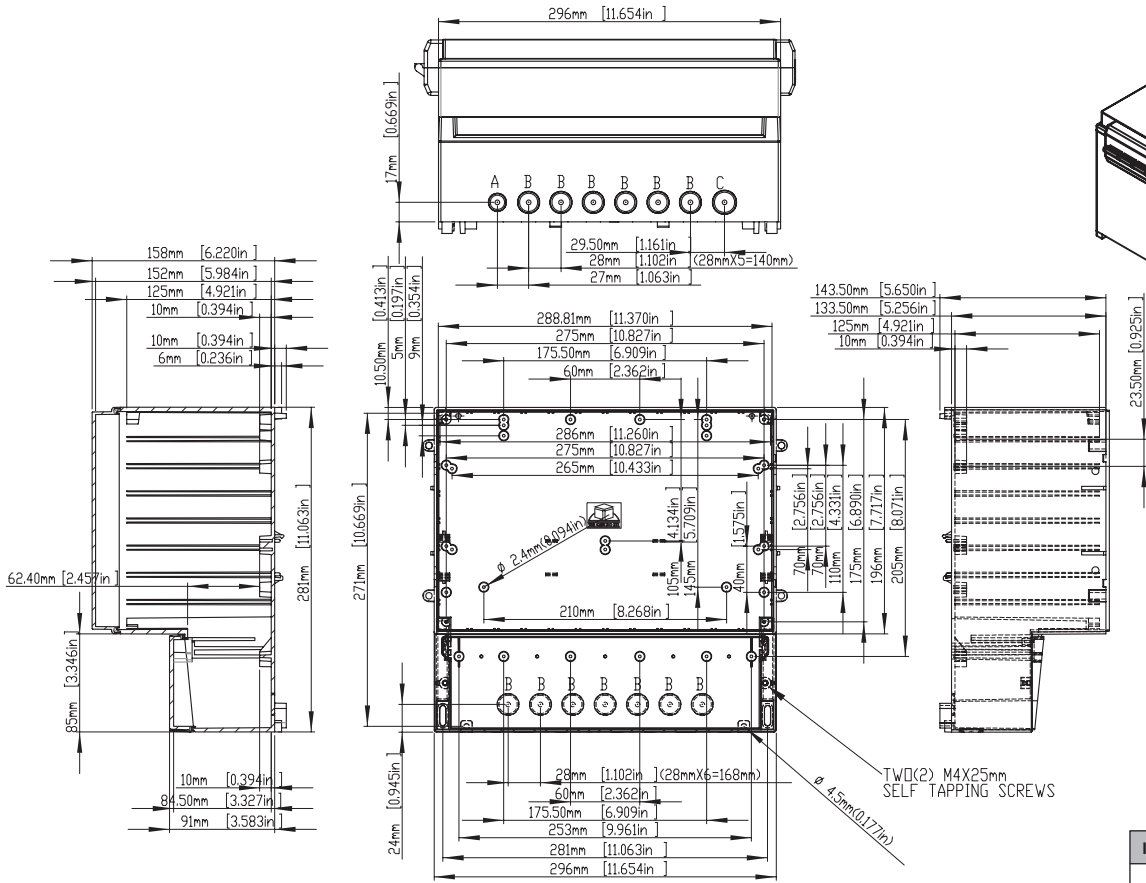
Item	Dimension	Cable Gland
A	15.6 mm	PG 9 (or M12)
B	19.0 mm	PG 11 (or M16)
C	20.8 mm	PG 13.5 (or M20)

DC007CBUNO/DC007LGNO



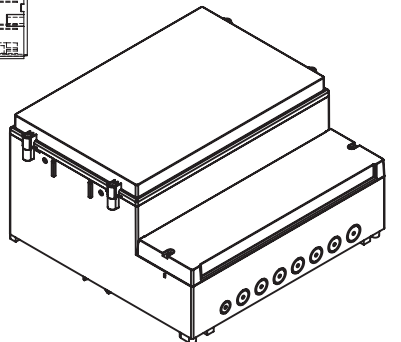
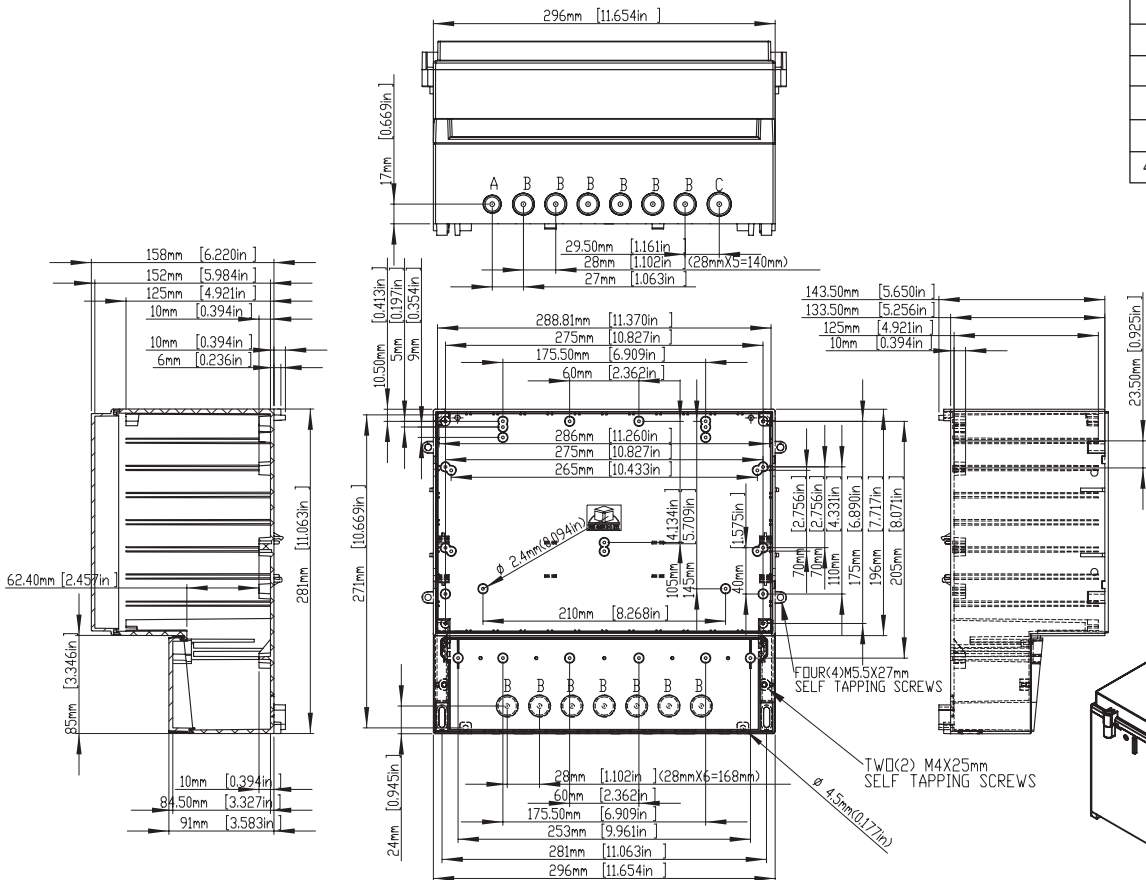
According to ISO 2768-m	
Measuring DIM=L	Tolerances
0.5 < L ≤ 3.0 mm	±0.1 mm
3.0 < L ≤ 6.0 mm	±0.1 mm
6.0 < L ≤ 30.0 mm	±0.2 mm
30.0 < L ≤ 120.0 mm	±0.3 mm
120.0 < L ≤ 400.0 mm	±0.5 mm
400.0 < L ≤ 1000.0 mm	±0.8 mm

DC009CUL/DC009CBU



Item	Dimension	Cable Gland
A	15.6 mm	PG 9 (or M12)
B	19.0 mm	PG 11 (or M16)
C	20.8 mm	PG 13.5 (or M20)

DC009CBUNO/DC009LGNO



According to ISO 2768-m	
Measuring DIM=L	Tolerances
0.5 < L ≤ 3.0 mm	±0.1 mm
3.0 < L ≤ 6.0 mm	±0.1 mm
6.0 < L ≤ 30.0 mm	±0.2 mm
30.0 < L ≤ 120.0 mm	±0.3 mm
120.0 < L ≤ 400.0 mm	±0.5 mm
400.0 < L ≤ 1000.0 mm	±0.8 mm