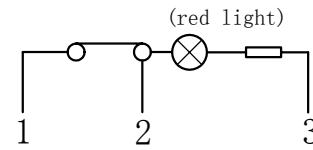
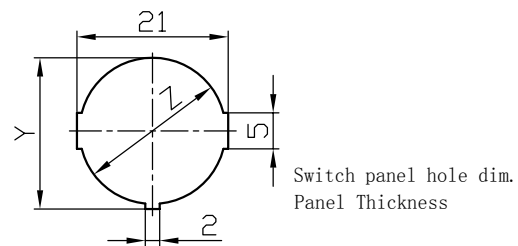


POSITION 1



POSITION 2

Circuit

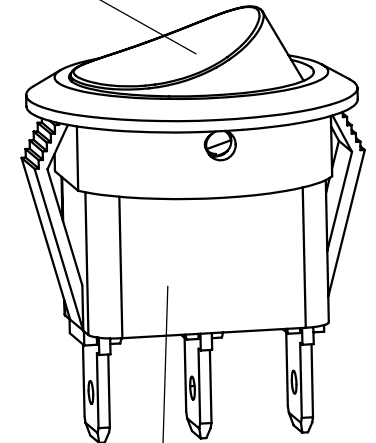


Switch panel hole dim.
Panel Thickness

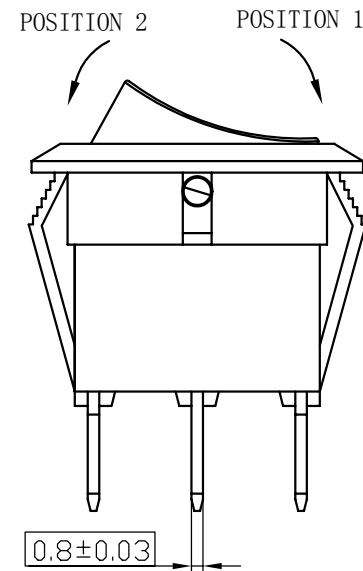
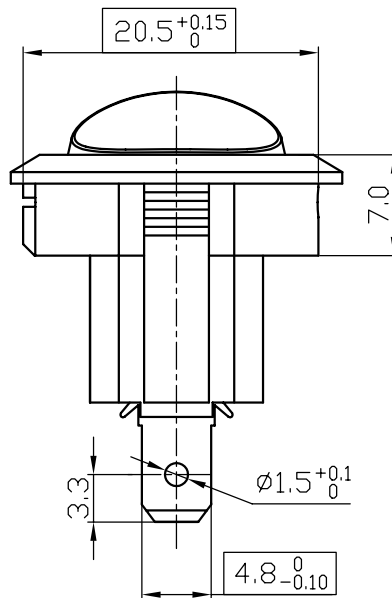
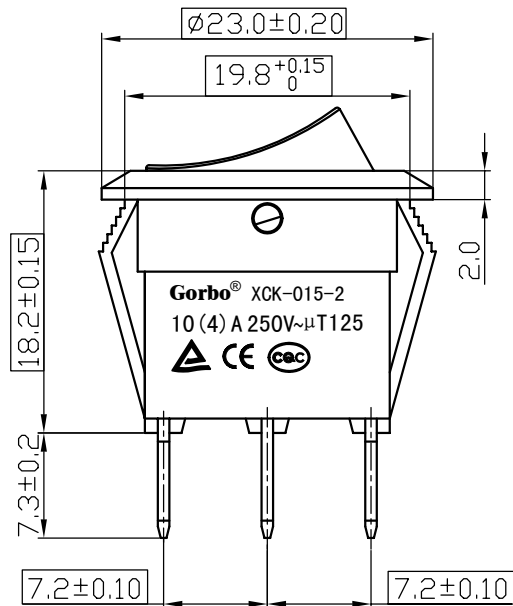
X	Dim. Y	Dim. Z
0.75 to 1.25mm	21 ^{+0.1}	20.3 ^{+0.1}
1.25 to 2mm	21 ^{+0.1}	20.4 ^{+0.1}
2 to 3mm	21 ^{+0.1}	20.5 ^{+0.1}

Panel hole

KNOB COLOR:
transparences red

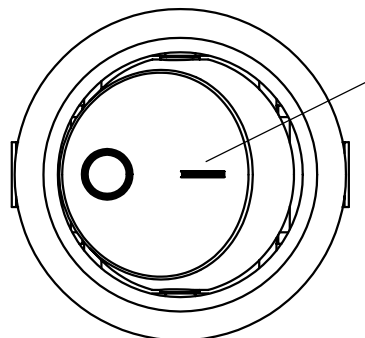


HOUSE COLOR:
BLACK



Technology require

- Switch rating:
UL:16GPA 110-130VAC;
10R(4)A 6GPA 1/2hp 125-250VAC T125
CQC/TUV:10(4)A 250VAC T125 1E4 μ
- Contact:self clearing
- Material&outlook:
Knob:red PC 94v-2, pad print,
House:black nylon 94v-2, rating
current, voltage, model, trade marking;
Terminal&Moving contact:
copper alloy silver plated;
- Approvals:ROHS, REACH, PAHS
- Switch hi-pot, insulation
resistance, contact resistance:
P-P:1500Vac 0.5mA 10S
P-H:3000Vac 0.5mA 10S
insulation resistance:≥7MΩ 500Vdc
contact resistance: ≤50mΩ
- The switch operation move, position
is clear,no excrement position and stick;
- function explain:operation switch's knob,
the switch can be actualized ON/OFF function;
8. with "□" essential quality dimension



(Print color:white)

02	01		LKH	YXB	2017. 03. 07
01	--	INITIAL RELEASE	LKH	LSH	2011. 03. 25
(REV.)	(REF.)	DESCRIPTION	(DRAW BY)	(CHECK BY)	(DATE)
(NAME)				(Function)	SPST:Light ON/OFF
(MODEL NO.)	XCK-015-2	(DRAW BY) Laikunhua	(APP. BY)	(COMF. BY)	
(Material NO.)	XCK-015-202-63R	(SCALE) NTS	(DATE) 2011. 03. 23	(DATE)	(DATE)
(Tolerance unless otherwise specified:X. =±0.15;. x=±0.10;. xx=±0.05;<=±1° UNIT:mm)					