

TRV

MAIN FEATURES

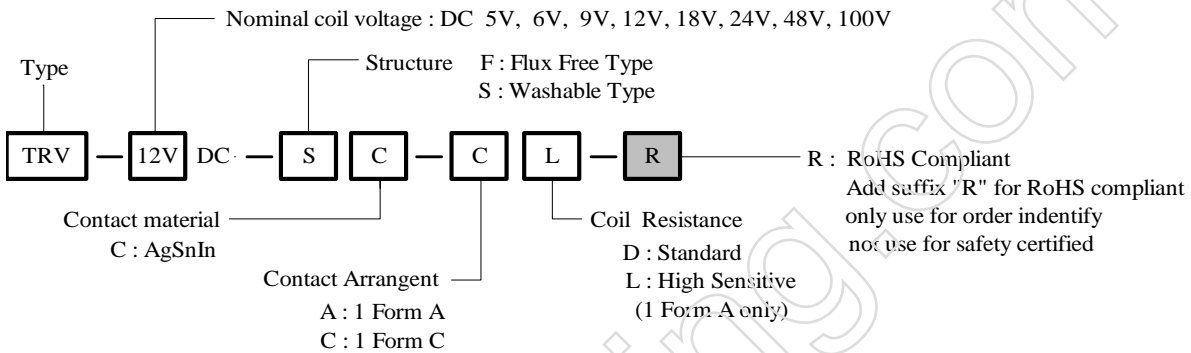
- High capacity type (16A) available.
- High sensitivity 0.2W (1 Form A).
- Flat type : L×W×H=16.5mm×22.2mm×11.2mm.
- UL、cUL and TUV recognized.

APPLICATIONS

- Home appliances : Air conditioner, heater, etc.
- Automotive : Power supply for car stereo and air conditioner.



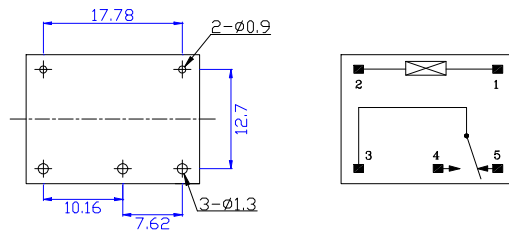
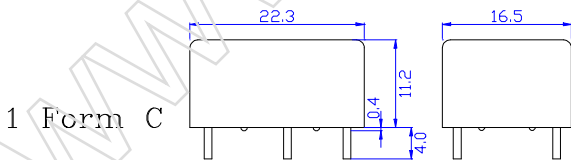
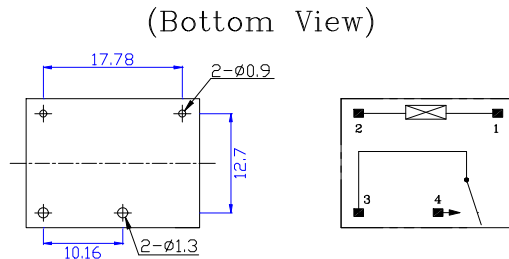
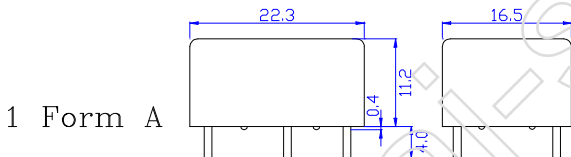
ORDERING INFORMATION



DIMENSION (unit:mm)

DRILLING (unit:mm)

WIRING DIAGRAM



COIL DATA CHART (AT20°C)

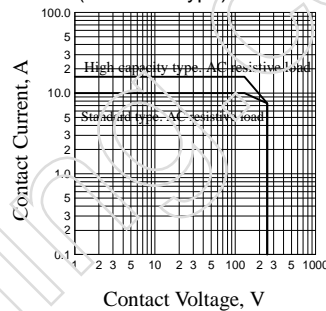
Coil Sensitivity	Nominal Coil Voltage (VDC)	Nominal Current (mA)	Coil Resistance (Ω) $\pm 10\%$	Power Consumption (W)	Pull-In Voltage (VDC)	Drop-Out Voltage (VDC)	Max-Allowable Voltage (VDC)
High Sensitivity (1 Form A only)	05	40	125	abt. 0.2W	80% Max.	5% Min.	130%
	06	33.3	180				
	09	22.2	405				
	12	16.7	720				
	18	11.1	1620				
	24	8.3	2880	0.25W			
Standard	05	90.1	55.5	abt. 0.45W	80% Max.	5% Min.	130%
	06	75.0	80				
	09	50.0	180				
	12	37.5	320				
	18	25.0	720				
	24	18.8	1280				
	48	9.4	5120	abt. 0.6W			
100	6.0	16600					

CONTACT RATING

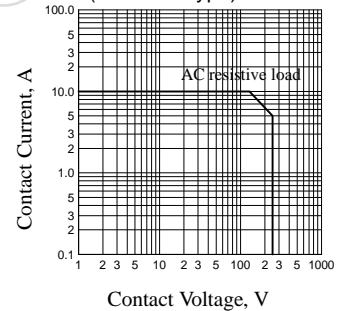
Item	Type	TRV	
	FORM A	N/O	N/C
Contact Capacity	16A 125VAC	16A 125VAC	15A 125VAC
Resistive Load $\cos\phi=1$	16A 250VAC	16A 250VAC	15A 250VAC
	16A 30VDC	16A 30VDC	12A 30VDC
Rated Carrying Current	16A	16A	12A
Max. Allowable Voltage	250VAC, 100VDC		
Max. Allowable Current	16A	16A	12A
Max. Allowable Power	2000VA 480W	2000VA 480W	1875VA 360W
Referenced Min. Applicable Load	5VDC, 100mA		
Contact Material	Ag Alloy		

REFERENCE DATA

Maximum Value for Switching Capacity (1 Form A Type)



(1 Form C type)

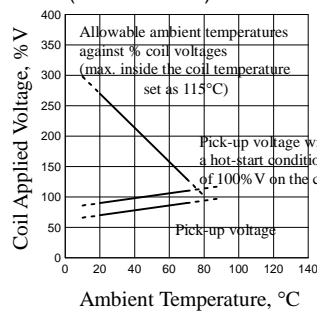


PERFORMANCE (at initial value)

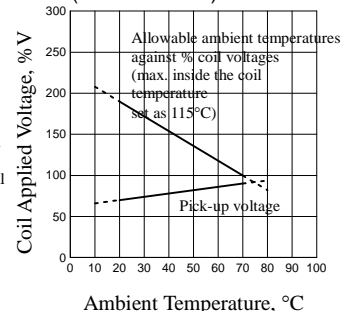
Item	Type	TRV
Contact Resistance		100m Ω Max. (6VDC 1A)
Operation Time		10msec Max.
Release Time		5msec Max.
Dielectric Strength		1500VAC 50/60Hz (1 minute)
Between coil & contact		750VAC
Between contacts		
Insulation Resistance		100 M Ω Min. (500VDC)
Max. ON/OFF Switching		
Mechanically		300 operation/min
Electrically		30 operation/min
Operating Ambient Temperature		-40°C to +70°C (No condensation)
Operating Humidity		45 to 80% RH
Coil Temperature Rise		30 deg. Max. (at rated coil voltage)
Vibration		
Endurance		10 to 55Hz Double Amplitude 1.6mm
Error Operation		10 to 55Hz Double Amplitude 1.6mm
Shock		
Endurance		100G Min.
Error Operation		10G Min.
Life Expectancy		
Mechanically		5×10^6
Electrically		10×10^4
Weight		abt. 10grs.
UL & cUL		E156521
TUV		R50050856

Ambient Temperature Characteristics

(1 Form A 10A)

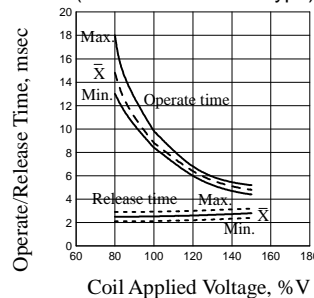


(1 Form C 10A)

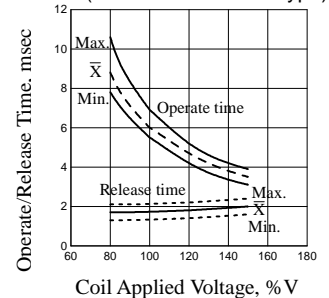


Operate/Release Time

(Standard 1 Form A Type)



(Standard 1 Form C Type)



This datasheet for reference and subject to change without notice. Please double check final specification with Tai-Shing.