

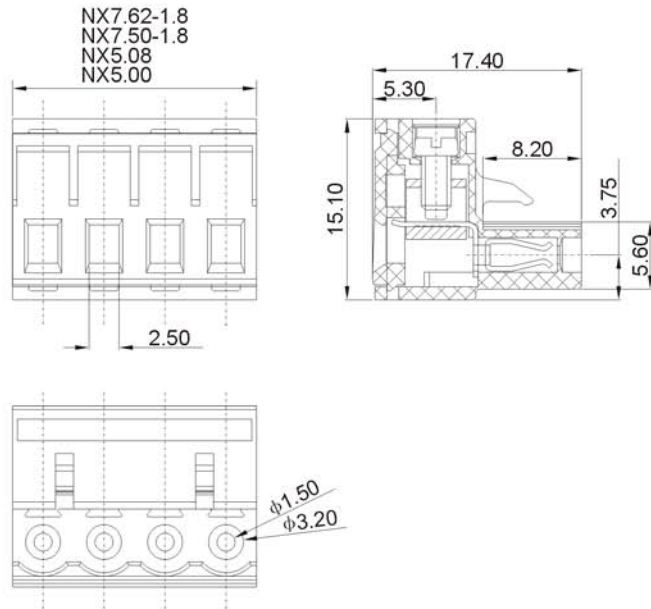


DEGSON ELECTRONICS CO., LTD.

Product Specification

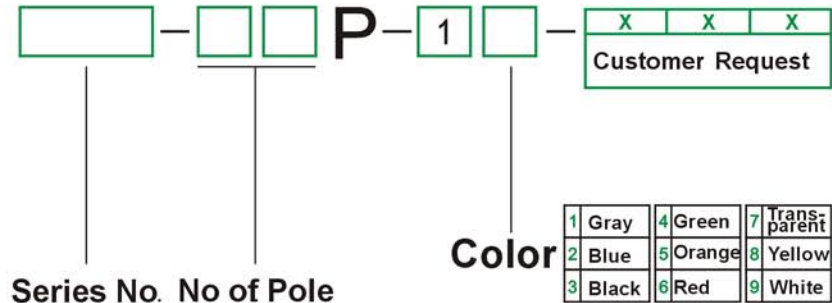


2EDGK-5.0 2EDGK-5.08
2EDGK-7.5 2EDGK-7.62



Material	
Screws :	M2.5 steel Zinc plated
Contact :	Phosphor bronze
Housing :	PA66, UL94V-0
Electrical	
Rated voltage :	300V
Rated current :	15A
Contact resistance :	20m Ω
Insulation resistance :	5000M Ω /DC 1000V
Withstanding voltage:	AC2000V/1Min
Wire range :	28-12AWG 2.5mm ²
Mechanical	
Temp. Range :	-40°C~+105°C
Torque :	0.4Nm(3.6lb.in)
Striplength :	7-8mm

HOW TO ORDER:



		DEGSON ELECTRONICS CO., LTD. NAME 2EDGK-5.0 2EDGK-5.08 2EDGK-7.5 2EDGK-7.62