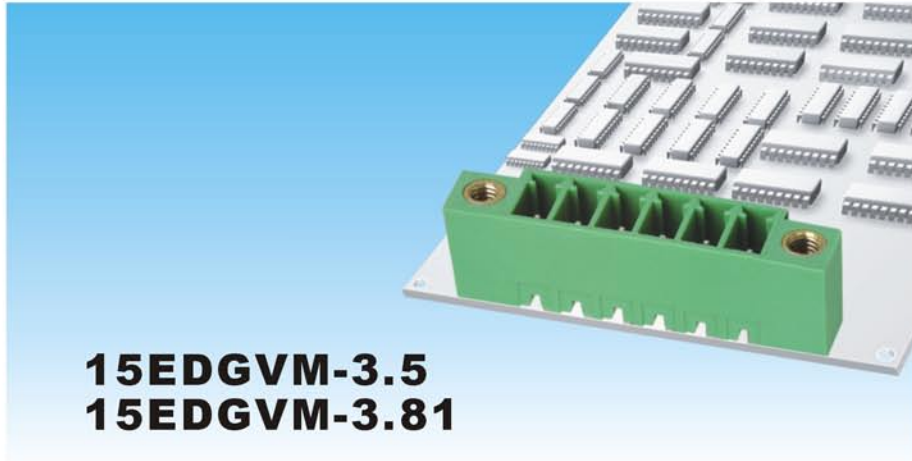


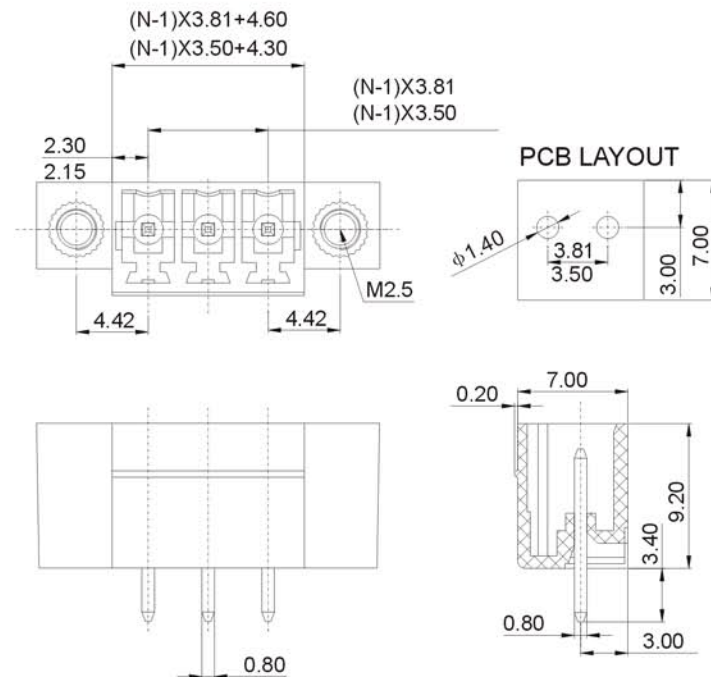


DEGSON ELECTRONICS CO., LTD.

Product Specification

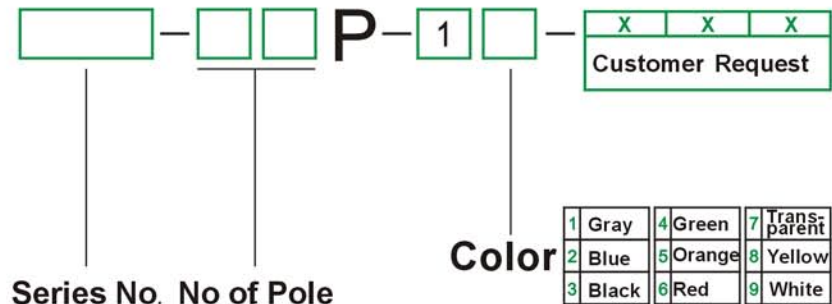


15EDGVM-3.5
15EDGVM-3.81



Material	
Pin header :	Brass, Tin plated
Housing :	PA66, UL94V-0
Nut :	M2.5, Brass
Electrical	
Rated voltage :	300V
Rated current :	8A
Contact resistance :	20m Ω
Insulation resistance :	5000M Ω /DC 1000V
Withstanding voltage:	AC2000V/1Min
Mechanical	
Temp.Range :	-40°C~+105°C

HOW TO ORDER:



	DEGSON ELECTRONICS CO., LTD.
	NAME 15EDGVM-3.5 15EDGVM-3.81