

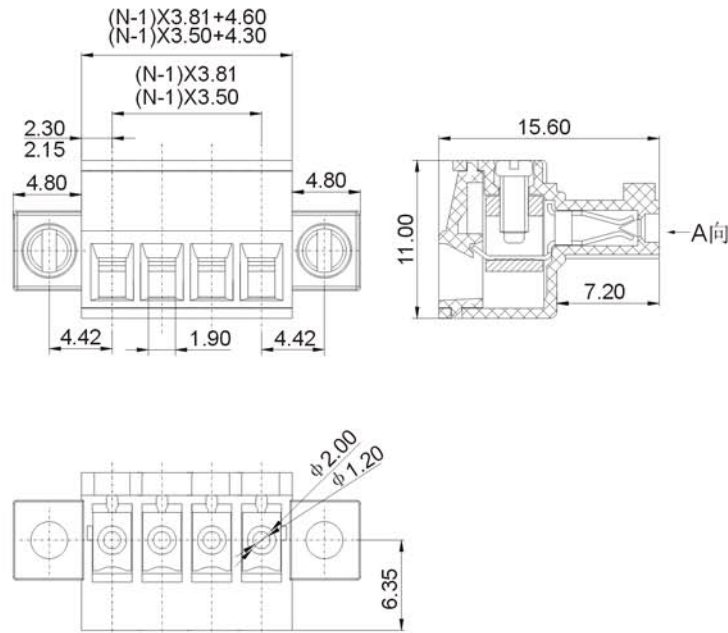


DEGSON ELECTRONICS CO., LTD.

Product Specification



15EDGKM-3.5
15EDGKM-3.81



Material

Screws	:	M2 steel Zinc plated
Contact	:	Phosphor bronze
Housing	:	PA66, UL94V-0

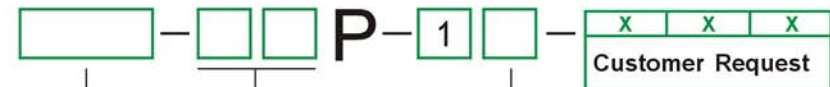
Electrical

Rated voltage	:	300V
Rated current	:	8A
Contact resistance	:	20m Ω
Insulation resistance	:	5000M Ω /DC 1000V
Withstanding voltage	:	AC2000V/1Min
Wire range	:	28-16AWG 1.5mm ²

Mechanical

Temp. Range	:	-40°C~+105°C
Torque	:	0.2Nm(1.7lb.in)
Striplength	:	6-7mm

HOW TO ORDER:



Series No. No of Pole

Color

1 Gray	4 Green	7 Trans-parent
2 Blue	5 Orange	8 Yellow
3 Black	6 Red	9 White



DEGSON ELECTRONICS CO., LTD.

NAME

15EDGKM-3.5
15EDGKM-3.81