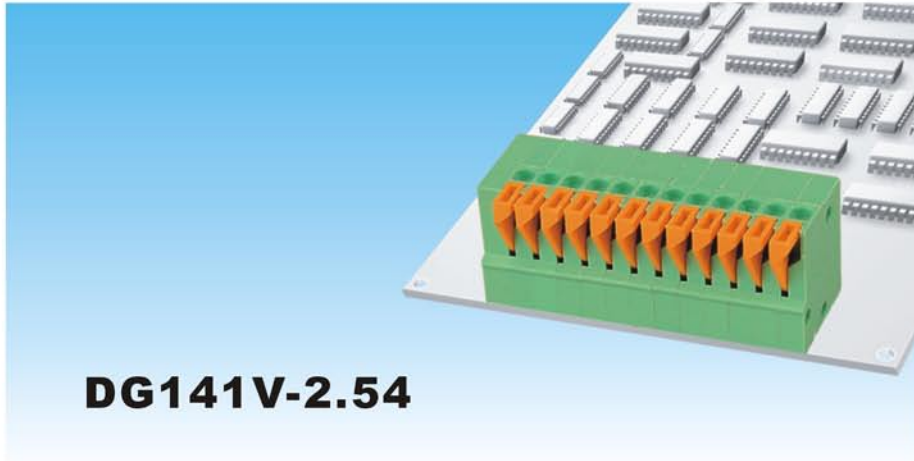


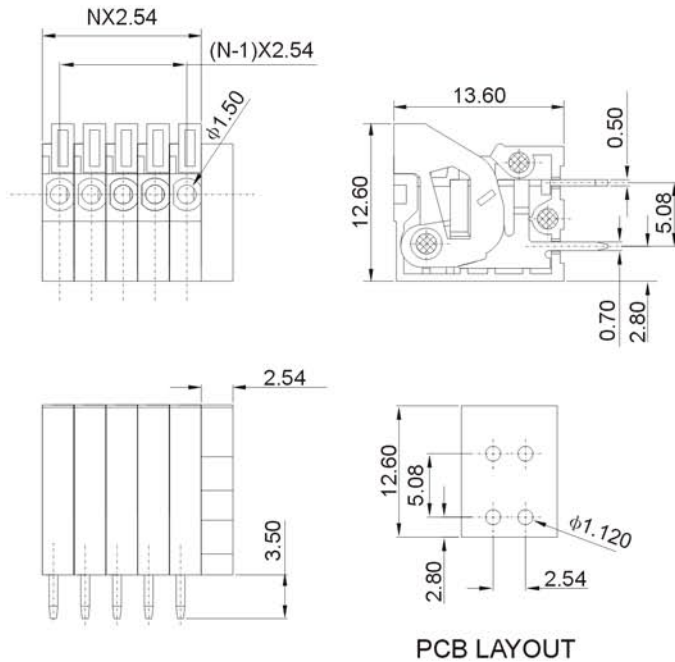


# DEGSON ELECTRONICS CO., LTD.

## Product Specification

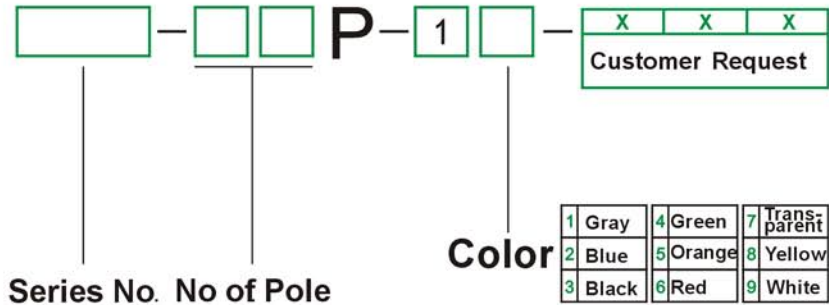


**DG141V-2.54**



Material	
Wire guard:	Stainless steel
Pin header:	Brass, Tin plated
Housing :	PA66, UL94V-0
Electrical	
Rated voltage :	150V
Rated current :	2A
Contact resistance :	20m $\Omega$
Insulation resistance :	5000M $\Omega$ /DC1000V
Withstanding voltage:	AC2000V/1Min
Wire range :	26-20AWG 1.0mm <sup>2</sup>
Mechanical	
Temp.Range :	-40°C~+105°C
Striplength :	11mm

### HOW TO ORDER:



	<b>DEGSON ELECTRONICS CO., LTD.</b>
	NAME <b>DG141V-2.54</b>