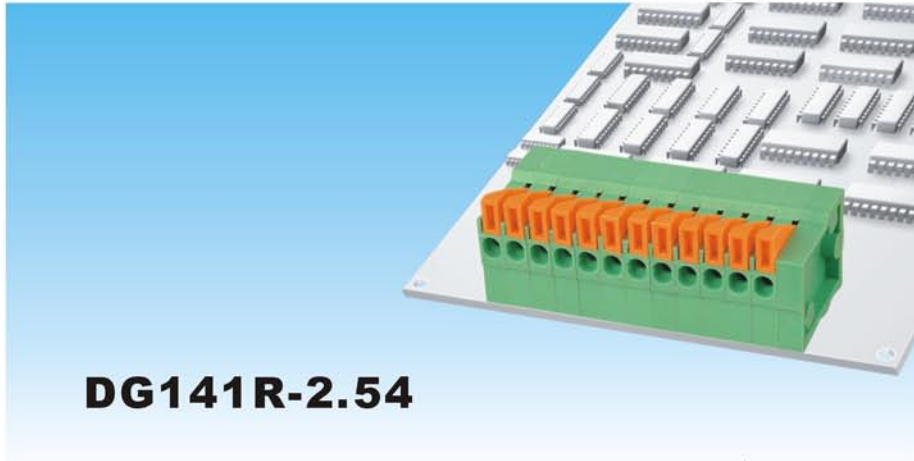


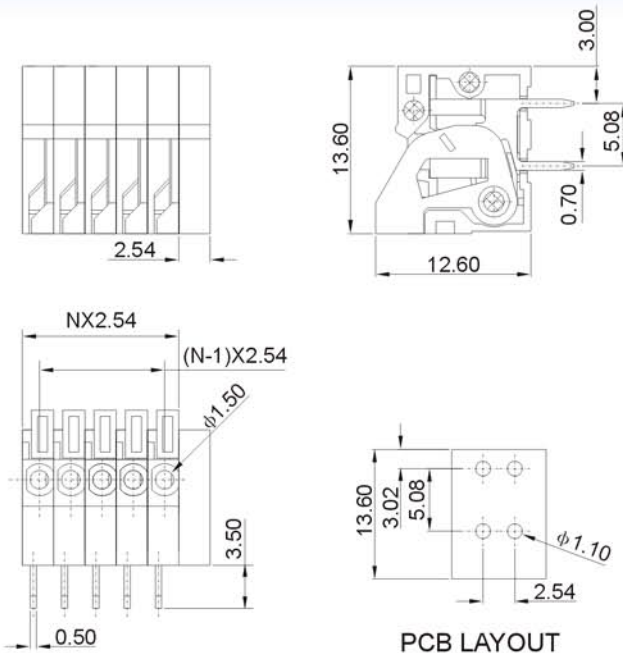


DEGSON ELECTRONICS CO., LTD.

Product Specification

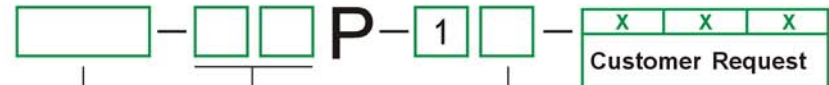


DG141R-2.54



Material	
Wire guard:	Stainless steel
Pin header:	Brass, Tin plated
Housing :	PA66, UL94V-0
Electrical	
Rated voltage :	150V
Rated current :	2A
Contact resistance :	20mΩ
Insulation resistance :	5000MΩ /DC1000V
Withstanding voltage:	AC2000V/1Min
Wire range :	26-20AWG 1.0mm ²
Mechanical	
Temp. Range :	-40°C~+105°C
Striplength :	11mm

HOW TO ORDER:



Series No. No of Pole

Color

1 Gray	4 Green	7 Trans- parent
2 Blue	5 Orange	8 Yellow
3 Black	6 Red	9 White

	DEGSON ELECTRONICS CO., LTD.
	NAME DG141R-2.54