



# TRQ2

### MAIN FEATURES

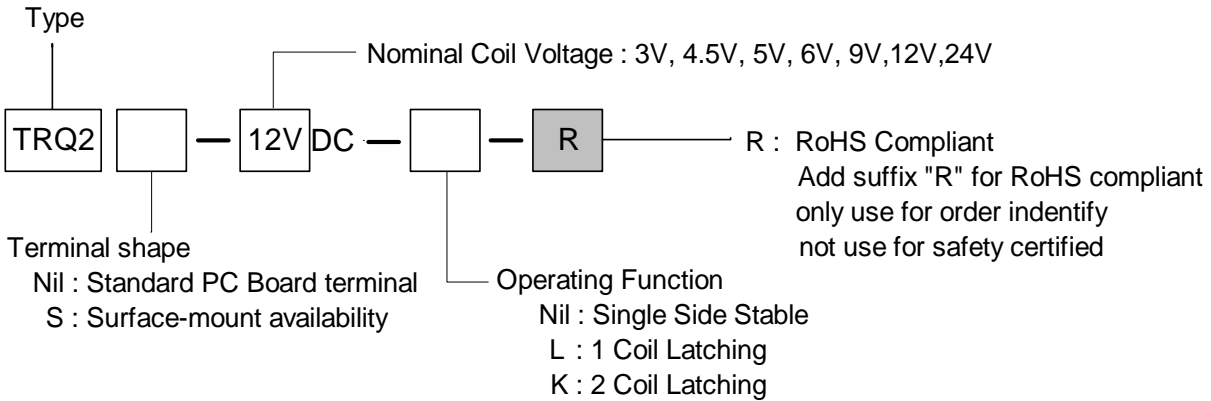
- DIL Pitch Terminals High Sensitivity: 0.14W Nominal Power.
- Conforms to FCC Part 68 1.5KV Surge and Dielectric 1000VAC.
- Monostable or bistable relays Single and double Coil magnet -latching Type available.
- Contact arrangement: 2 Form C
- UL & cUL recognized.



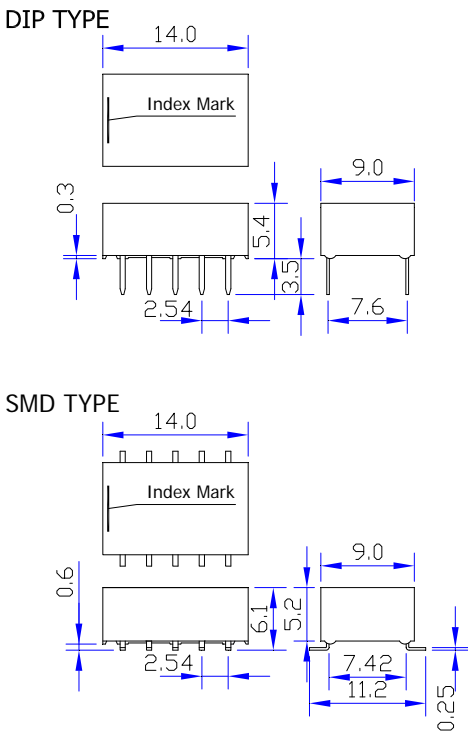
### APPLICATIONS

- Telecommunication Equipment, Office Equipment, Security
  - Alarm Systems, Measuring instruments, Medical Monitoring
  - Equipment, Audio Visual Equipment, Flight Simulator, Sensor Control.

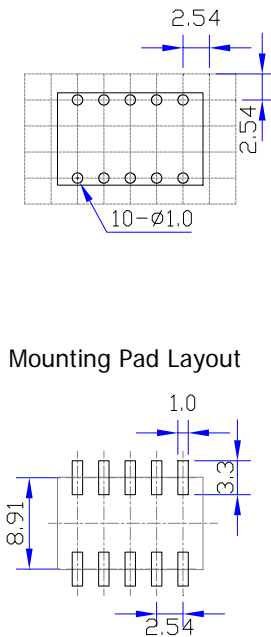
### ORDERING INFORMATION



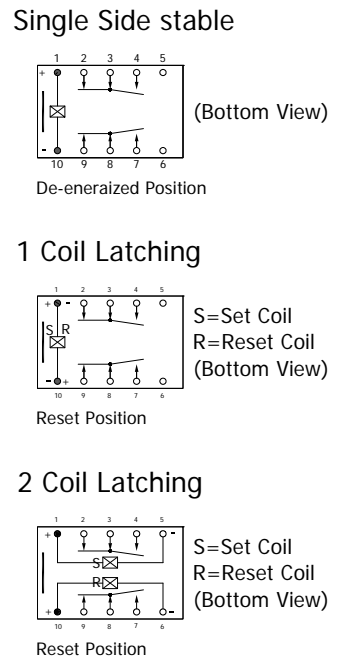
### DIMENSION (unit:mm)



### DRILLING (unit:mm)



### WIRING DIAGRAM



## ➤ COIL DATA CHART (at 20°C)

Coil Voltage VDC	Coil Voltage (VDC) Rated	Nominal Current (mA)	Coil Resistance ( $\Omega$ ) $\pm 10\%$	Coil Power (W)	Pickup voltage (VDC) Max. (75% of rated voltage)	Release voltage (VDC) Min. (10% of rated voltage)	Coil Voltage (VDC) Max.
Single Side Stable	3	46.7	64.3	0.14	2.25	0.3	4.5
	4.5	31.0	145	0.14	3.38	0.45	6.7
	5	28.1	178	0.14	3.75	0.5	7.5
	6	23.4	257	0.14	4.50	0.6	9.0
	9	15.5	579	0.14	6.75	0.9	13.5
	12	11.7	1028	0.14	9.00	1.2	18.0
1 Coil Latching	24	8.3	2880	0.20	18.0	2.4	36.0
	3	33.3	90	0.10	2.25	-2.25	4.5
	4.5	22.1	203	0.10	3.38	-3.38	6.7
	5	20.0	250	0.10	3.75	-3.75	7.5
	6	16.7	360	0.10	4.50	-4.50	9.0
	9	11.1	810	0.10	6.75	-6.75	13.5
2 Coil Latching	12	8.3	1440	0.10	9.00	-9.00	18.0
	24	6.3	3840	0.15	18.0	-18.0	36.0
	3	66.7	45	0.20	2.25	2.25	4.5
	4.5	44.5	101	0.20	3.38	3.38	6.7
	5	40.0	125	0.20	3.75	3.75	7.5
	6	33.3	180	0.20	4.50	4.50	9.0
	9	22.2	405	0.20	6.75	6.75	13.5
	12	16.7	720	0.20	9.00	9.00	18.0
	24	12.5	1920	0.30	18.0	18.0	36.0

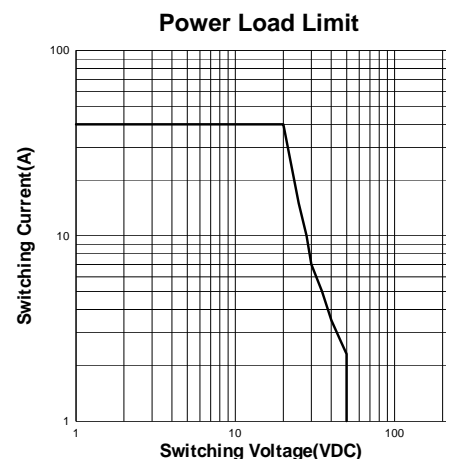
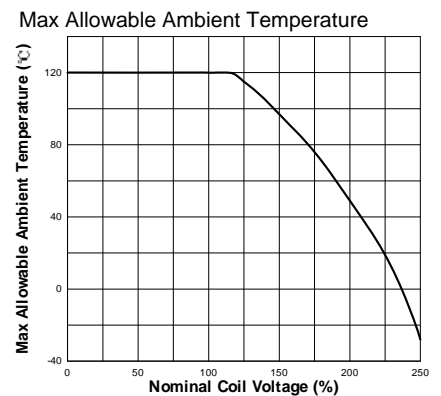
## ➤ CONTACT RATING

Item	Type	TRQ
Contact Capacity Resistive Load (cos $\Phi$ =1)		1A / 30VDC 0.5A / 125VAC
Rated Carrying Current		1A
Max. Switching Voltage		110VDC, 125VAC
Max. Switching Current		1A
Max. Switching Power Force		30W, 62.5VA
Referenced Min. Applicable Load		10mA resistive at 10mVDC
Contact Material		Ag Alloy

## ➤ PERFORMANCE (at initial value)

Item	Type	TRQ
Contact Resistance		100m $\Omega$ Max. at initial
Operation Time		Approx. 5msec
Release Time		Approx. 5msec
Dielectric Strength		Between open contacts 750VAC (1 minute) Between coil & contact 1000VAC (1 minute) Between Contacts Poles 1000VAC (1 minute)
Surge Withstand Voltage		Between open Contacts 1500V Between coil & Contacts 1500V Between Contacts Poles 2500V
Shock Resistance		Functional 490m/s <sup>2</sup> Endurance 980m/s <sup>2</sup>
Vibration Resistance		Functional 3mm D.A. 10 to 55Hz Destructive 5mm D.A. 10 to 55Hz
Terminals resistance		5N
Solderability		235°C $\pm$ 2°C, 3 $\pm$ 0.5s
Temperature Range		-40°C ~ 70°C (-40°F ~ 158°F)
Insulation Resistance		1000 M $\Omega$ Min. (at 500VDC)
Life Expectancy		Mechanically 1 $\times$ 10 <sup>8</sup> ops. Min. (no load) Electrically 2 $\times$ 10 <sup>5</sup> ops. Min. (1A/30VDC) 1 $\times$ 10 <sup>5</sup> ops. Min. (0.5A/125VDC)
Weight		Approx. 1.5g
UL & cUL		E156521

## ➤ REFERENCE DATA



This datasheet for reference and subject to change without notice. Please double check final specification with Tai-Shing. (1033AA08VOL01)