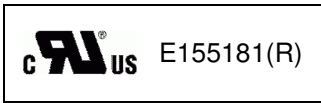


**REED RELAY
EDR1,2,3 SERIES**



SIP (PIN OUT:1357)



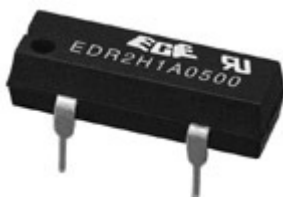
DIP



SMD



SIP (PIN OUT:1267)



HIGH INSULATION (DIP)



HIGH INSULATION (SMD)

FEATURES

- Miniature, cost-effective switching solution
- Molded construction for compatibility with automatic board processing
- Completely washable
- Dip type construction with the same terminal pitch as ICs or TTLs
- The high sensitivity allows direct driving by TTL, etc.
- Magnetic shield cover is available
- Electrostatic shield cover is available

SPECIFICATIONS (at 20 °C)

1.COIL RATING

| Contact form | Nominal Voltage(VDC) | Max. Operate Voltage(VDC) | Pull-in Voltage(VDC) | Dropout Voltage(VDC) | ※Coil Resistance(Ω) | Nominal input power(mW) |
|--------------|----------------------|---------------------------|----------------------|----------------------|---------------------|-------------------------|
| 1A | 5 | 16 | 3.75 | 0.8 | 500±10% | 50 |
| | 12 | 20 | 9.00 | 1.0 | 1000±10% | 144 |
| | 24 | 32 | 18.00 | 2.0 | 2150±10% | 268 |
| 2A | 5 | 11 | 3.75 | 0.8 | 140±10% | 179 |
| | 12 | 20 | 9.00 | 1.0 | 500±10% | 288 |
| | 24 | 32 | 18.00 | 2.0 | 2150±10% | 268 |
| 1B | 5 | 6 | 4.20 | 0.6 | 500±10% | 50 |
| | 12 | 14.5 | 9.00 | 1.0 | 1000±10% | 144 |
| | 24 | 29 | 18.00 | 2.0 | 2150±10% | 268 |
| 1C | 5 | 11 | 3.75 | 0.8 | 200±10% | 125 |
| | 12 | 20 | 9.00 | 1.0 | 500±10% | 288 |
| | 24 | 32 | 18.00 | 2.0 | 2150±10% | 268 |

※Special design are available on request.

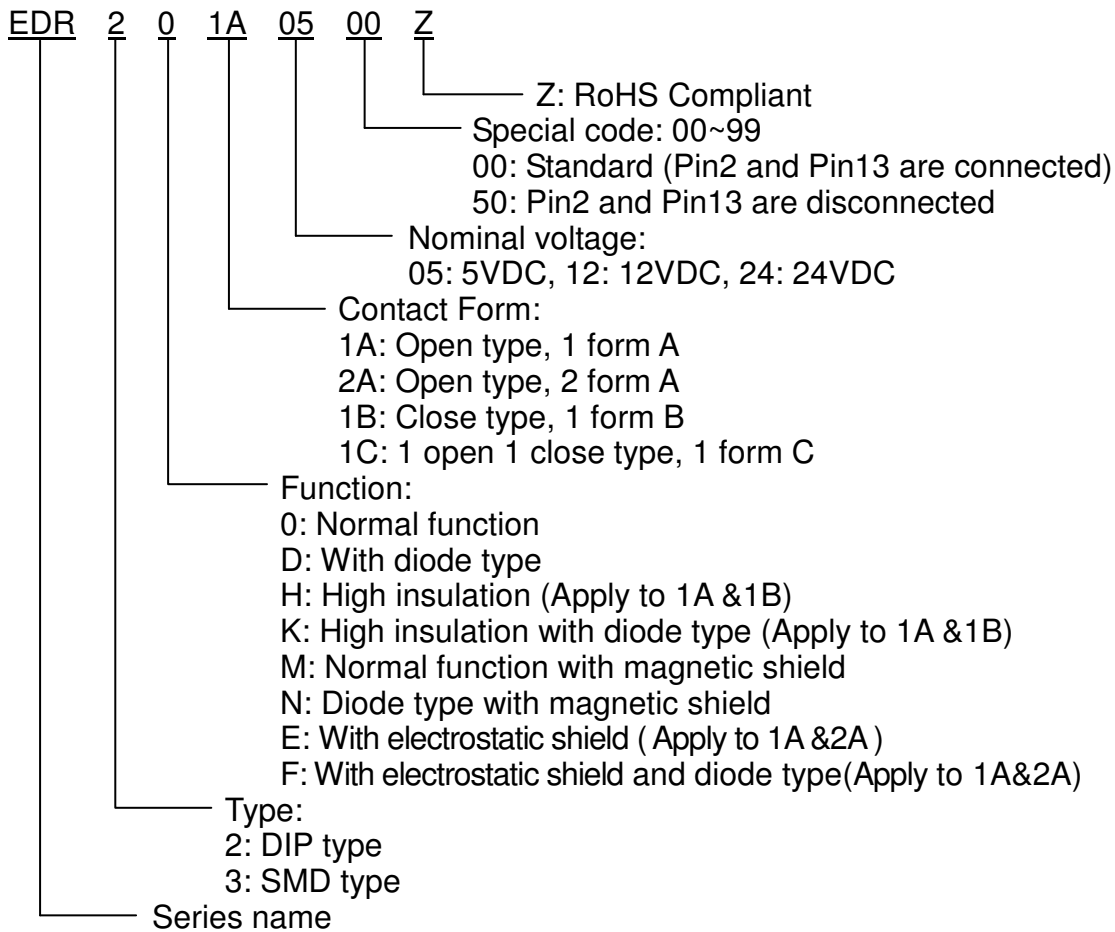
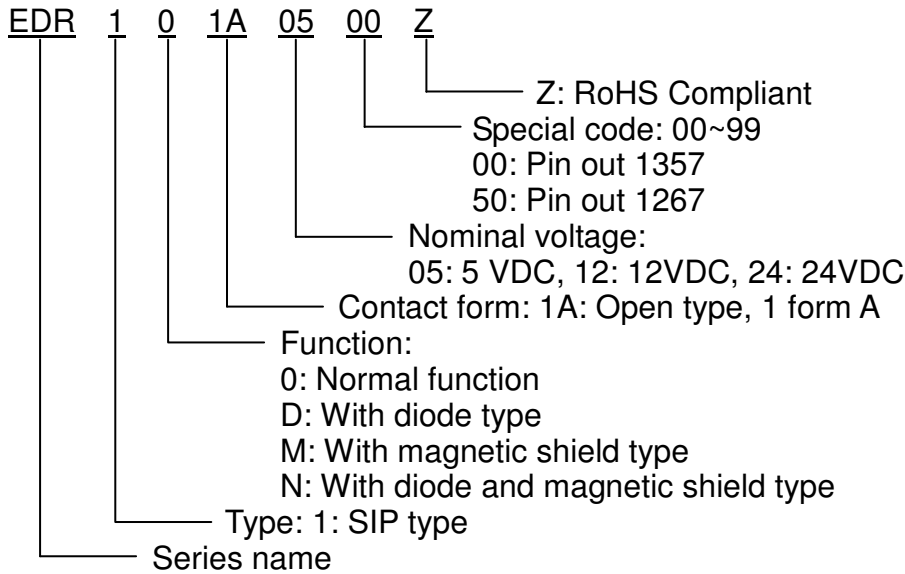


**Rely on ECE's Relays,
and You Always Relax!**

2.CONTACT RATING

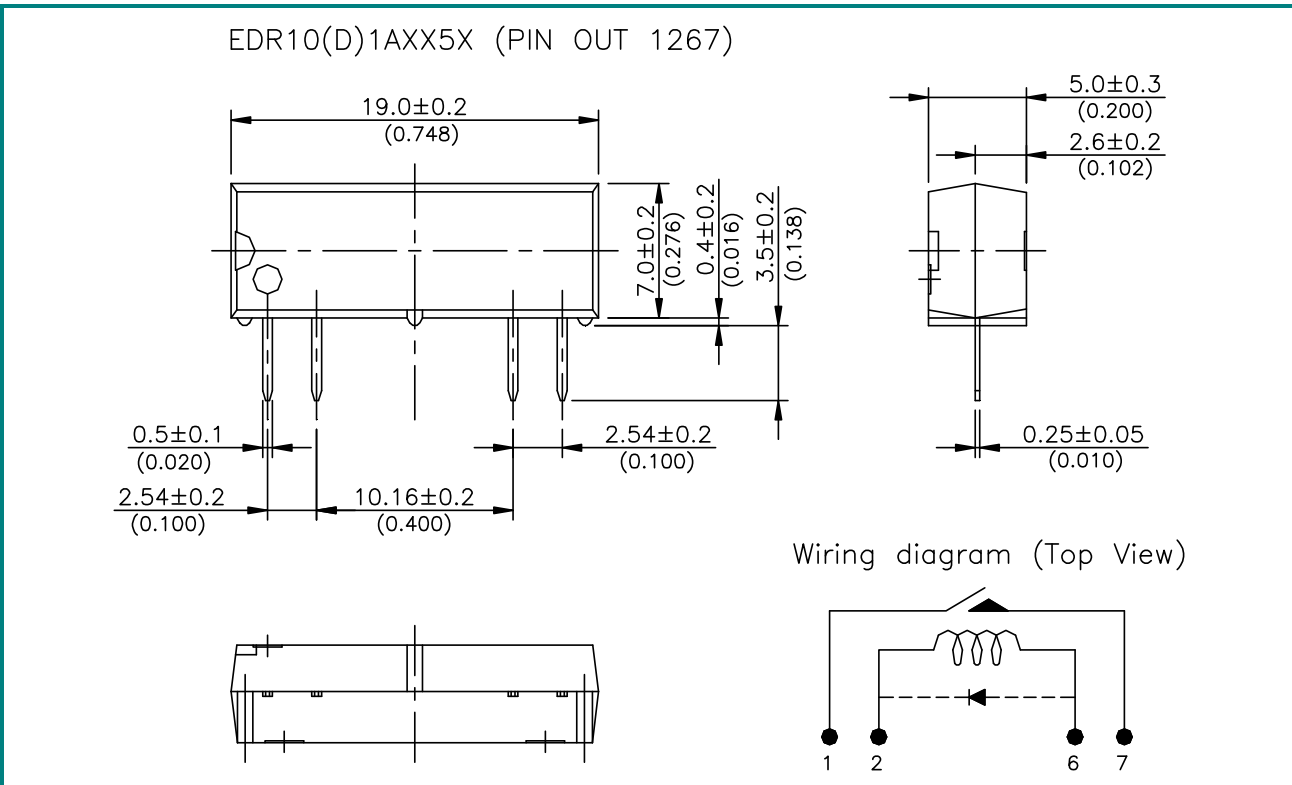
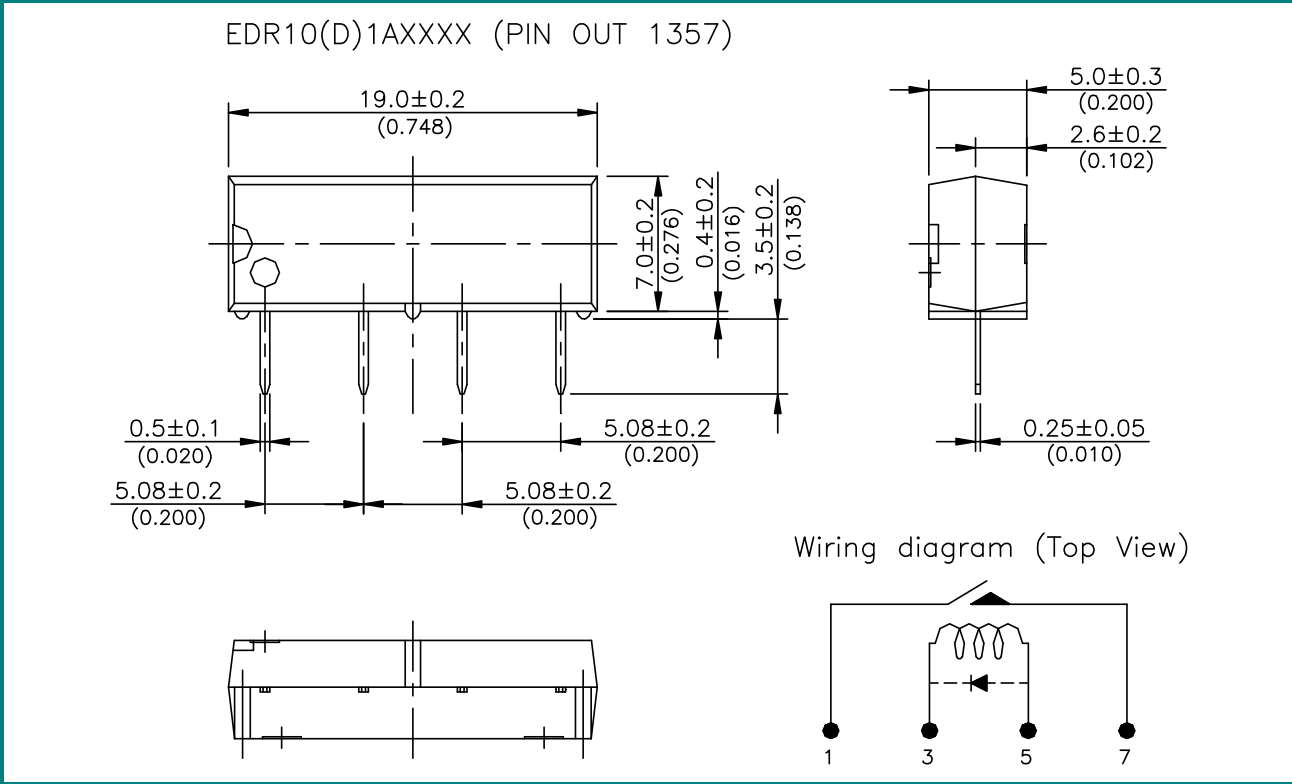
| Contact form | | 1A | 2A | 1B | 1C |
|--|--------------------------|--|---|---|---|
| Switching current | | 0.5 ADC Max. | 0.5 ADC Max. | 0.5 ADC Max. | 0.2 ADC Max. |
| Carry current | | 1.0 ADC Max. | 1.0 ADC Max. | 1.0 ADC Max. | 0.5 ADC Max. |
| Switching power | | 10 VA Max. | 10 VA Max. | 10 VA Max. | 3 VA Max. |
| Electrical life (Typ.) (Resistive load) | | 1×10 ⁸ (Ref 10VDC,10mA) | 1×10 ⁸ (Ref 10VDC,10mA) | 1×10 ⁸ (Ref 10VDC,10mA) | 5×10 ⁷ (Ref 5VDC,1mA) |
| Contact resistance | | 150 mΩ Max. | 150 mΩ Max. | 150 mΩ Max. | 150 mΩ Max. |
| Operate time | | 1.0 ms Max. (including bounce time) | 1.0 ms Max. (including bounce time) | 1.0 ms Max. (including bounce time) | 1.5 ms Max. (including bounce time) |
| Release time | | 0.5 ms Max. | 0.5 ms Max. | 0.5 ms Max. | 2.0 ms Max. |
| Maximum voltage | | 100 VDC Max. | 100 VDC Max. | 100 VDC Max. | 30 VDC Max. |
| Insulation resistance | | 10 ¹⁰ Ω Min. (at 100 VDC) | 10 ¹⁰ Ω Min. (at 100 VDC) | 10 ¹⁰ Ω Min. (at 100 VDC) | 10 ⁹ Ω Min. (at 100 VDC) |
| Dielectric strength | Coil to contact | 1400 VDC Min. (General) 4000 VDC Min. (high insulation) | 1400 VDC Min. | 1400 VDC Min. | 1400 VDC Min. |
| | Across contacts | 250 VDC Min. | 250 VDC Min. | 250 VDC Min. | 150 VDC Min. |
| Temperature range | Operating temperature | -40°C ~ +85°C | -40°C ~ +85°C | -40°C ~ +85°C | -40°C ~ +85°C |
| | Storage temperature | -55°C ~ +125°C | -55°C ~ +125°C | -55°C ~ +125°C | -55°C ~ +125°C |
| Shock resistance | | 30G Min. | 30G Min. | 30G Min. | 30G Min. |

■ PART NUMBER SYSTEM

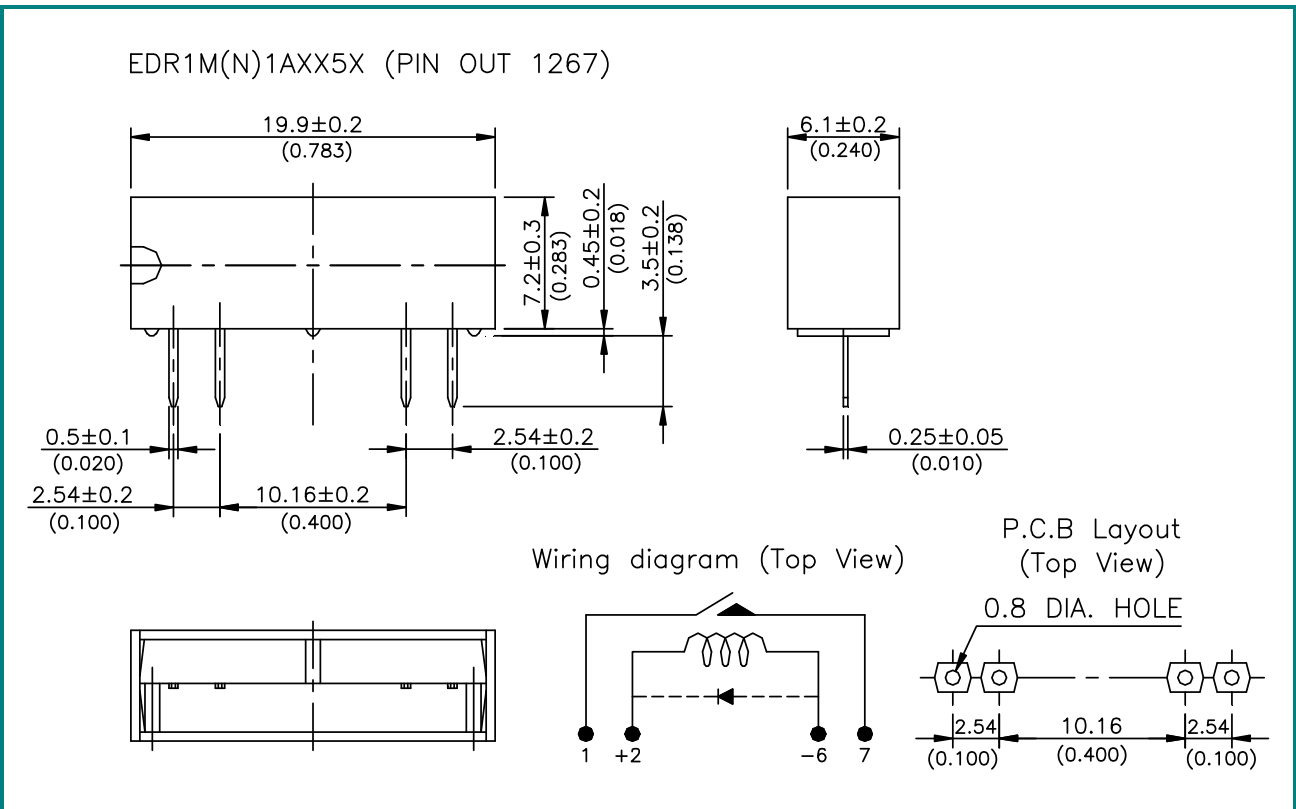
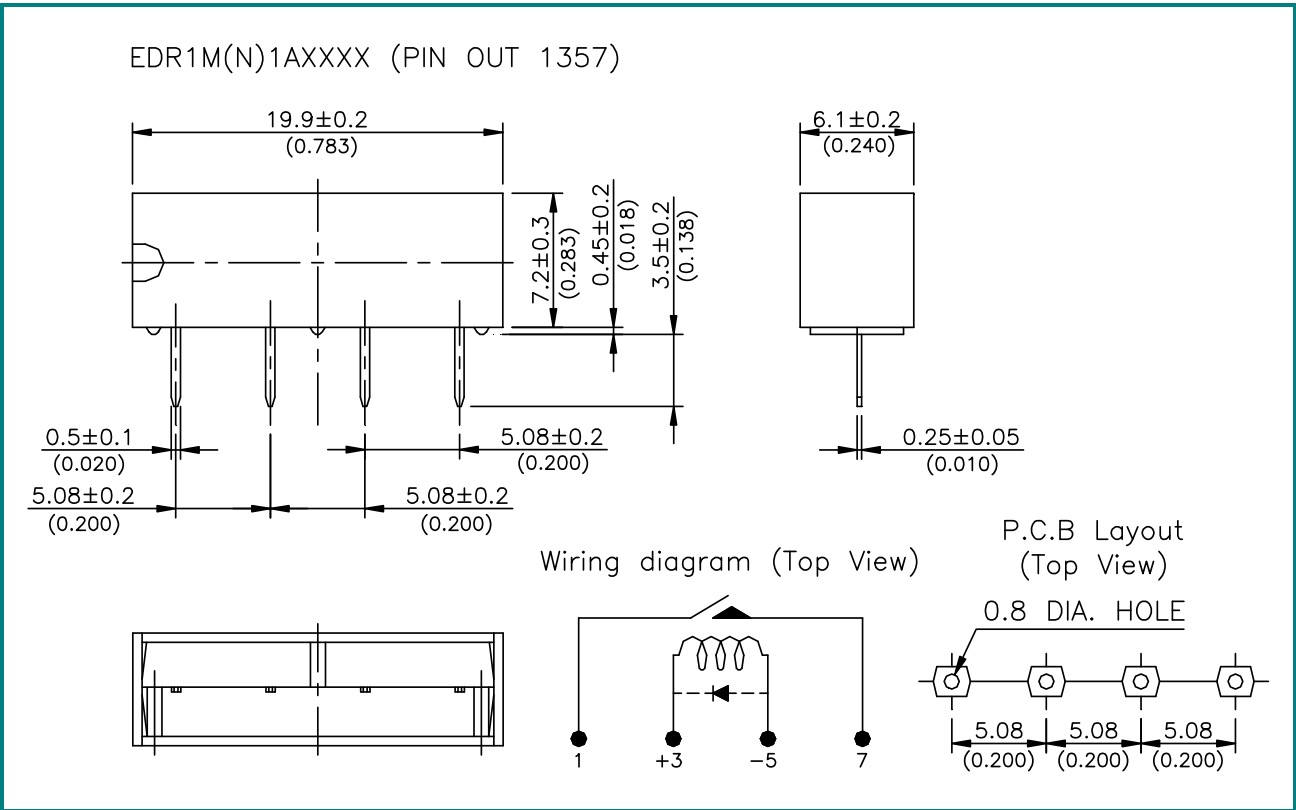


■ DIMENSIONS UNIT:mm(inch)

SIP TYPE



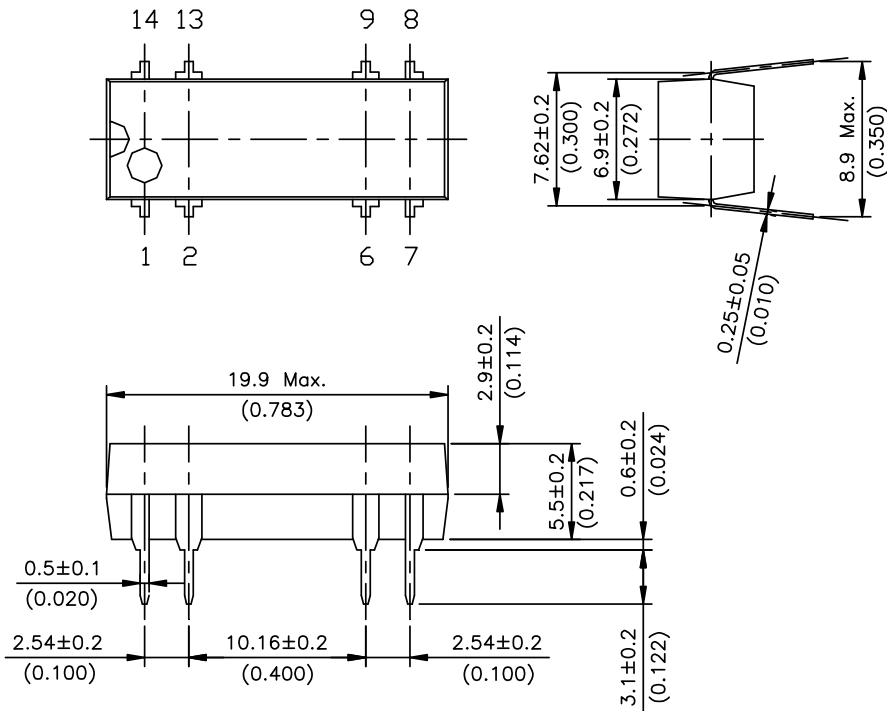
SIP TYPE





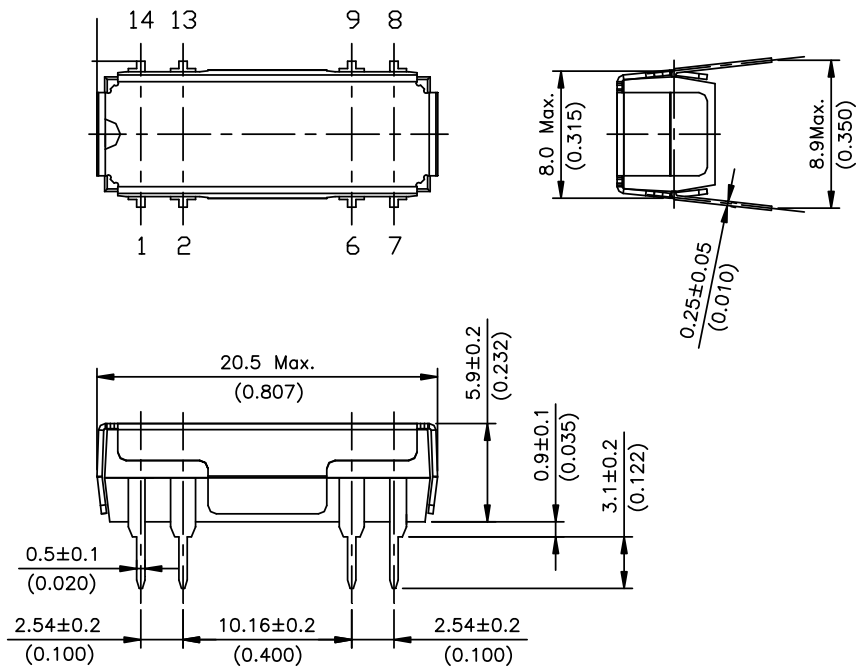
DIP TYPE / SMD TYPE

DIP TYPE



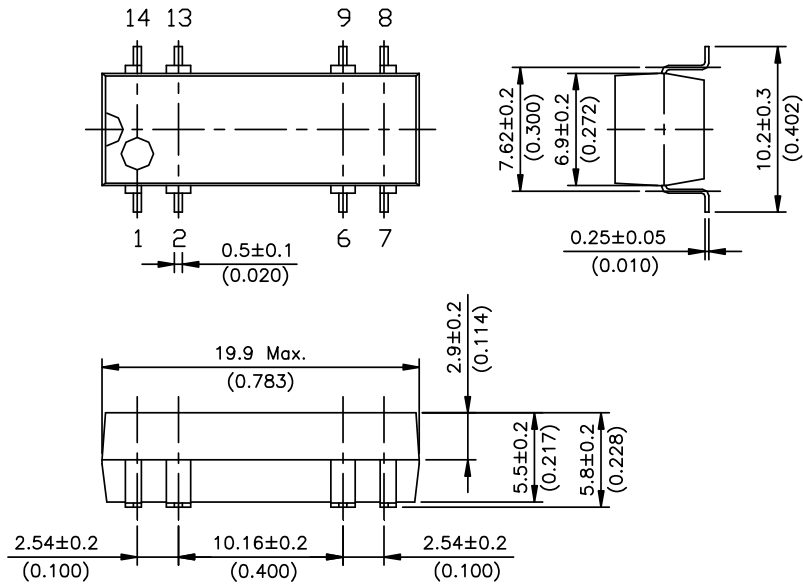
EDR2M(N)XXXXXXZ

DIP TYPE (With magnetic shield)

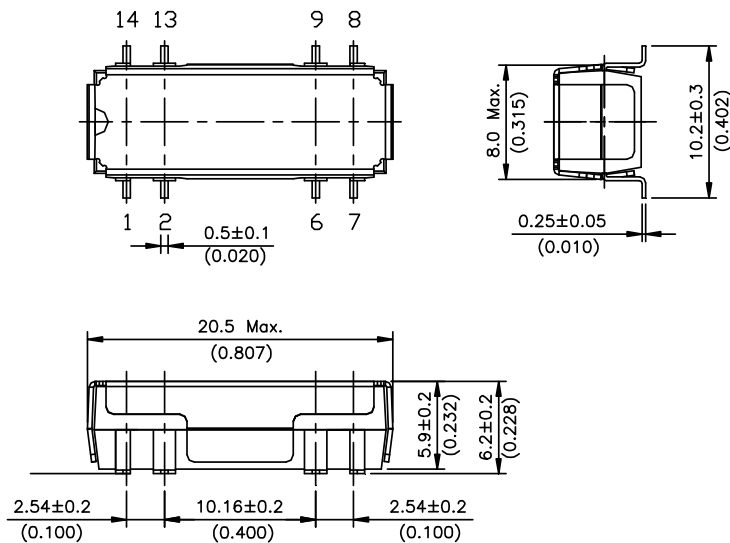




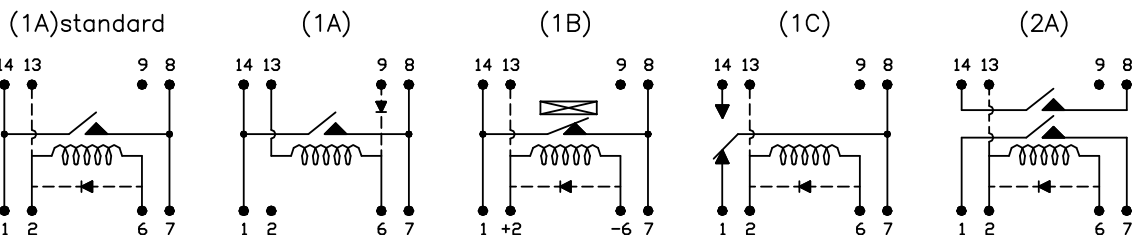
SMD-SO TYPE



**EDR3M(N)XXXXXXZ
SMD TYPE (With magnetic shield)**

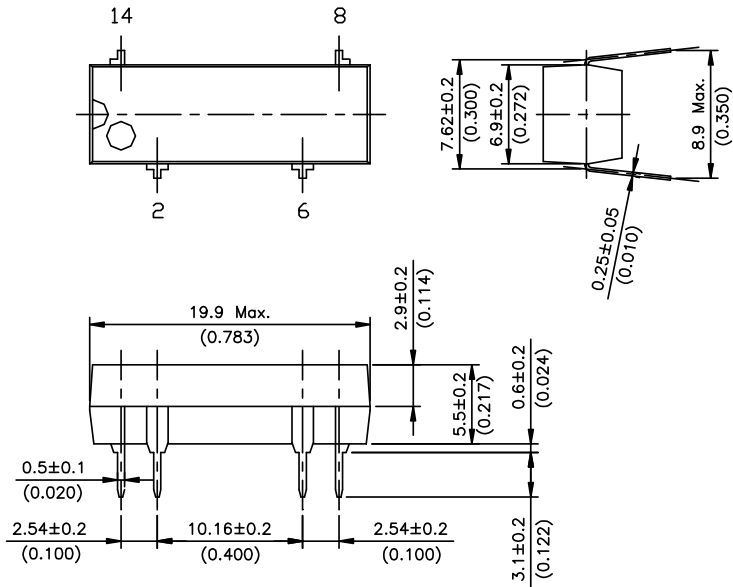


Wiring Diagram (Top View)

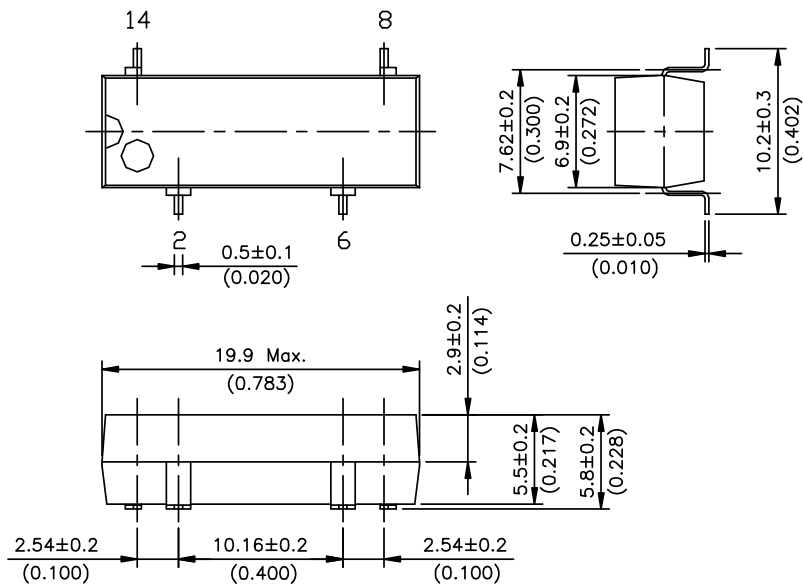


HIGH INSULATION TYPE

DIP TYPE



SMD-SO-TYPE



Wiring Diagram (Top View)

