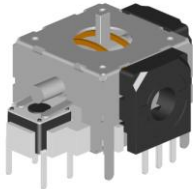




## 11mm 3D Joystick Potentiometer

**SJ11C**



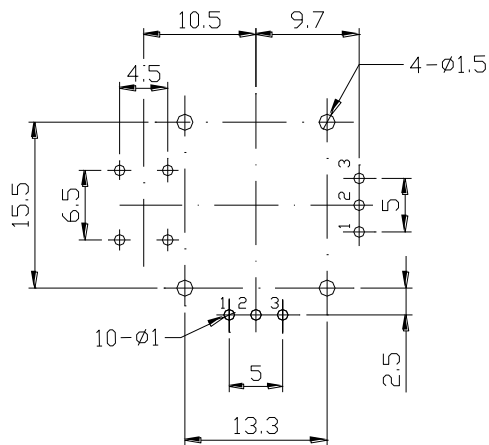
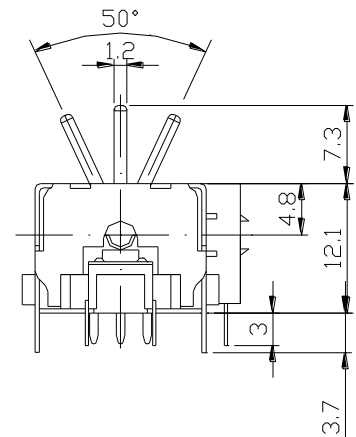
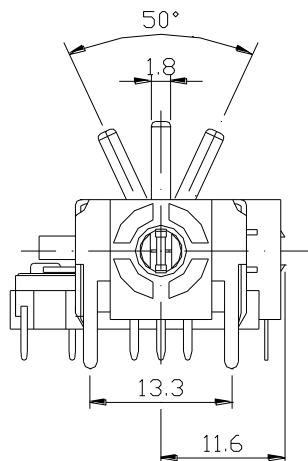
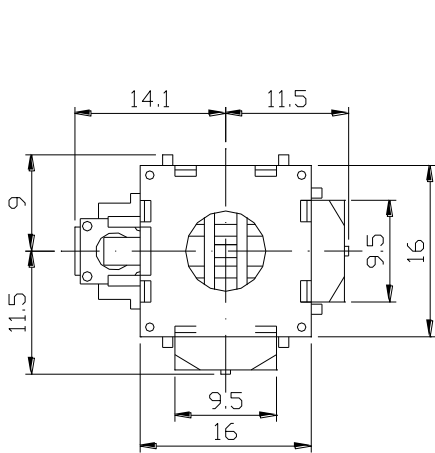
**Part Number**

**SJ11C - B 10K**

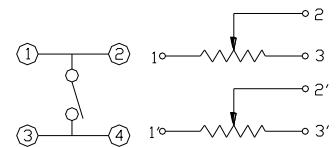
Taper

Resistance value

### Dimensions



### CIRCUIT





## 11mm 3D Joystick Potentiometer

### General

Operating temperature	-10 °C ~ +70 °C
Storage temperature range	-30°C ~ +80°C
Resistance to soldering heat	260±5° at 5sec./Max
Solder ability	Temperature of solder:235±5° Dipping duration:3±0.5s

### Electrical Characteristics

Total resistance	10K Ω/100K Ω
Resistance tolerance	±20%
Resistance taper	B Taper
Electronic angle	40°±6°
Sliding noise	Less than 300mV
Insulation resistance	More than 100MΩ at DC 250V
Rated power(W)	0 Linear taper B : 0.0125W
Max. Operating voltage	Linear taper B : AC 50V or DC 5.0V
Withstand voltage	1 Minute at AC 250 V

### Mechanical Characteristics

Stopper strength	3 Kgf.cm Max
Push-pull strength	Push/Pull 5 Kgf.cm Max, Torque:0.3Nm.
Operating force	130 ~180 gf.cm
Accuracy of rest position	± 5°
Operating angle of lever	60° ± 5°
Operating life	500,000 Cycles

### Switch Characteristics

Maximum Ratings	DC 12V /50mA
Contact Resistance	100mΩ Max
Operating force of tact switch	160gf.cm
Withstand voltage	250V AC 50Hz / 1 Minute
Operating life	100,000 Cycles