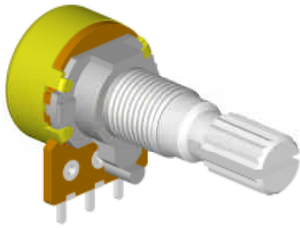




**12mm Metal Shaft Rotary Potentiometers**

**RK1233N1**

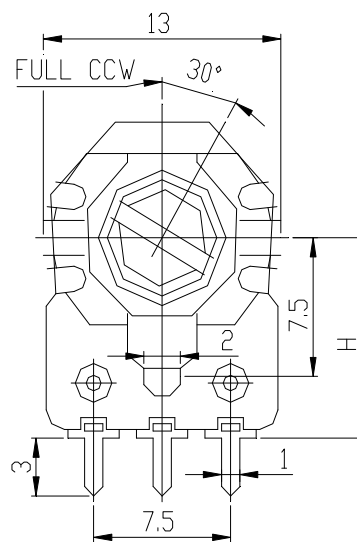
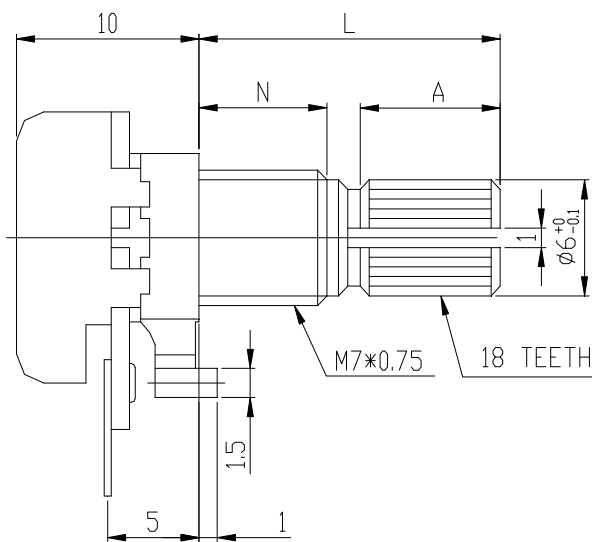


**Part Number**

**RK1233N1 – B 50K , L- 20 KC /H=10**

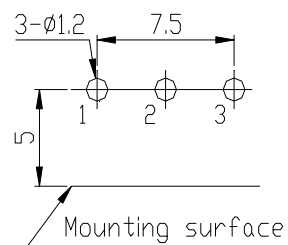
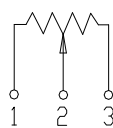
Taper                      Shaft Length                      Height  
Resistance value                      Shaft Type

**Dimensions**



PCB LAYOUT

CIRCUIT



<b>H</b>	<b>10</b>	<b>12.5</b>
----------	-----------	-------------



**12mm Metal Shaft Rotary Potentiometers**

**Shaft Type**

**N=5mm**

**N=7mm**

KC Type					F Type			
<b>L</b>	<b>15</b>	<b>20</b>	<b>25</b>	<b>30</b>	<b>L</b>	<b>15</b>	<b>20</b>	<b>25</b>
<b>A</b>	<b>6</b>	<b>10</b>	<b>12</b>	<b>12</b>	<b>F</b>	<b>7</b>	<b>12</b>	<b>12</b>
<b>M</b>	<b>1</b>	<b>2</b>	<b>2</b>	<b>4</b>	-			

R Type					RE Type				
<b>L</b>	<b>15</b>	<b>20</b>	<b>25</b>	<b>30</b>	<b>L</b>	<b>15</b>	<b>20</b>	<b>25</b>	<b>30</b>

**12mm Metal Shaft Rotary Potentiometers****General**

<b>Operating temperature</b>	<b>-10 °C ~ +70 °C</b>
<b>Manual soldering</b>	<b>300 °C Max 3sec</b>

**Electrical Characteristics**

<b>Total resistance</b>	<b>1K<math>\Omega</math> ~ 500K<math>\Omega</math></b>
<b>Resistance tolerance</b>	<b><math>\pm 20\%</math></b>
<b>Resistance taper</b>	<b>A B C D W</b>
<b>Sliding noise</b>	<b>Less than 47 mV</b>
<b>Residual resistance</b>	<b>R &gt; 10K : 20<math>\Omega</math> R <math>\leq</math> 10K : 10<math>\Omega</math></b>
<b>Insulation resistance</b>	<b>More than 100M<math>\Omega</math> at DC 500V</b>
<b>Rated power(W)</b>	<b>Linear (B) taper : 0.1W    Other taper : 0.05W</b>
<b>Max. Operating voltage</b>	<b>30V AC / DC</b>
<b>Withstand voltage</b>	<b>1 Minute at AC 300 V</b>

**Mechanical Characteristics**

<b>Total rotational angle</b>	<b>300° <math>\pm</math> 10°</b>
<b>Rotational torque</b>	<b>20 ~ 200 gf.cm</b>
<b>Shaft push-pull strength</b>	<b>8Kgf. Max</b>
<b>Rotational stopper strength</b>	<b>3Kgf.cm Min</b>
<b>Rotational life</b>	<b>15,000 Cycles.</b>