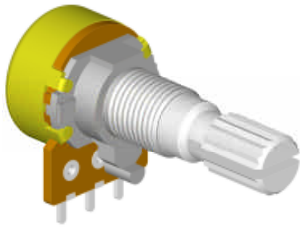




12mm Metal Shaft Rotary Potentiometers

RK1233N1

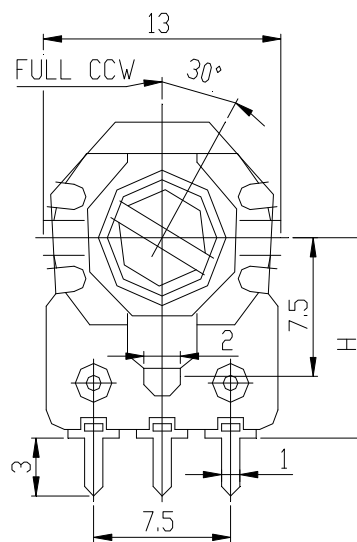
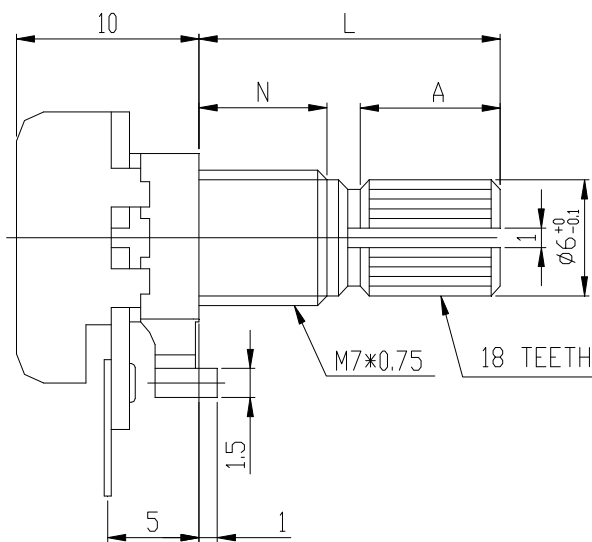


Part Number

RK1233N1 – B 50K , L- 20 KC /H=10

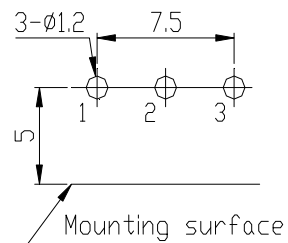
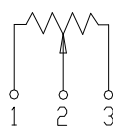
Taper Shaft Length Height
Resistance value Shaft Type

Dimensions



PCB LAYOUT

CIRCUIT



H	10	12.5
----------	-----------	-------------



12mm Metal Shaft Rotary Potentiometers

Shaft Type

N=5mm

N=7mm

KC Type					F Type			
L	15	20	25	30	L	15	20	25
A	6	10	12	12	F	7	12	12
M	1	2	2	4	-			

R Type					RE Type				
L	15	20	25	30	L	15	20	25	30

**12mm Metal Shaft Rotary Potentiometers****General**

Operating temperature	-10 °C ~ +70 °C
Manual soldering	300 °C Max 3sec

Electrical Characteristics

Total resistance	1KΩ ~ 500KΩ
Resistance tolerance	$\pm 20\%$
Resistance taper	A B C D W
Sliding noise	Less than 47 mV
Residual resistance	R > 10K : 20Ω R \leq 10K : 10Ω
Insulation resistance	More than 100MΩ at DC 500V
Rated power(W)	Linear (B) taper : 0.1W Other taper : 0.05W
Max. Operating voltage	30V AC / DC
Withstand voltage	1 Minute at AC 300 V

Mechanical Characteristics

Total rotational angle	300° \pm 10°
Rotational torque	20 ~ 200 gf.cm
Shaft push-pull strength	8Kgf. Max
Rotational stopper strength	3Kgf.cm Min
Rotational life	15,000 Cycles.