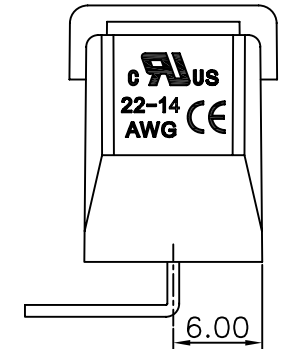
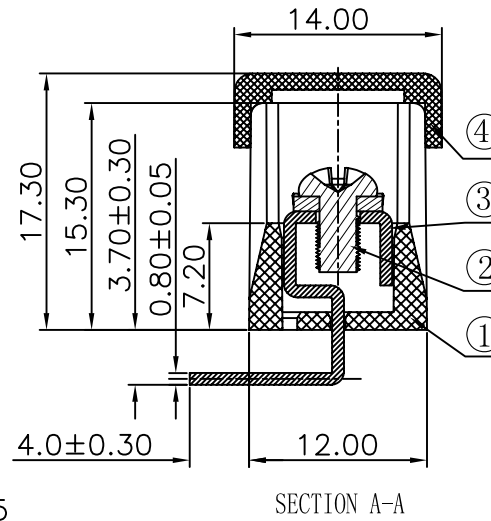
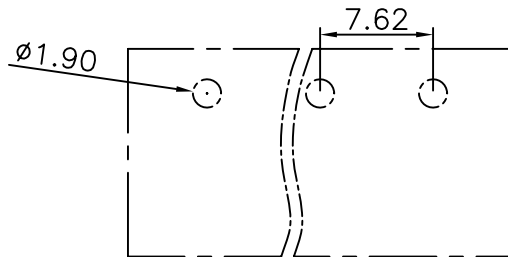
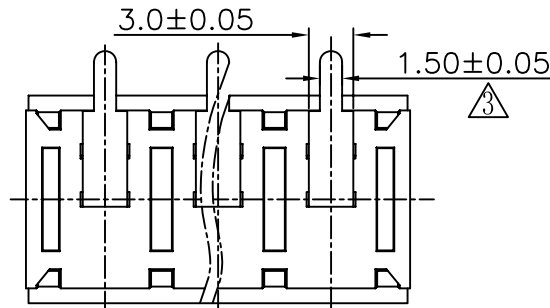
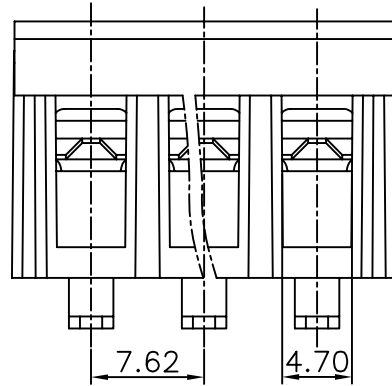
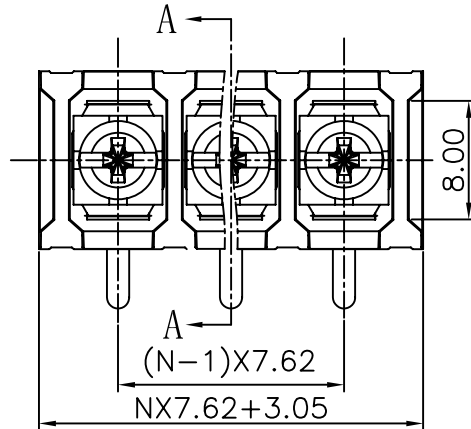
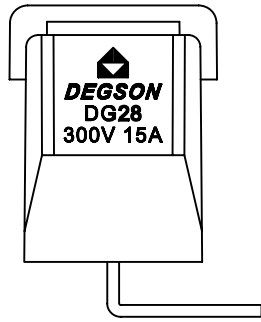


REVISION RECORD					
REV	ECO	DESCRIPTION	DRFT	DATE	
1		增加UL刻字	CSX	03/21/07	
2		品名、料号增加环保标识“00”	YeJ	12/08/07	
3		修改焊脚尺寸	Zengy	04/27/09	

Notes:

- Pitch:7.62mm ,Poles:2-26P
- Rated voltage/current:UL 300V/15A  
IEC 250V/24A
- Operation temperatures:-40℃~+105℃
- Withstanding Voltage:AC2000V/1Min
- Insulation Resistance:500MΩ/DC500V
- Wire Range:22~14AWG, X2.5mm<sup>2</sup>
- Max. Torque Value:M3, 5.10kgf.cm
- Undimensioned Tolerances:

Pitch range in mm			Nominal dimension range in mm					
to 6	over 6 to 10	over 10 to 24	to 30	over 30 to 60	over 60 to 100	over 100 to 150	over 150	
±0.10	±0.15	±0.25	±0.2	±0.3	±0.5	±0.7	±1.0	
							0.05/10	



ITEM	NAME OF PART	NO. OF PART	Q'TY	MATERIAL	NOTES
4	DG28-Cover	5006C07XXA (H)	1	PC	
3	DG28R Pin header	5006B00070 (H)	XX	Brass	SnCe plated
2	M3*6 (6*6) bright Screws	S000000450 (H)	XX	Steel	Ni plated
1	DG28-B-本体	5006A0YXXA (H)	1	PA66+23%GF	UL94V-0

DETACHED LISTS	MM (INCH)	DFTO Zhuwm	DATE 03/13/06	宁波高正电子有限公司 DEGSON ELECTRONICS CO., LTD
	TOLERANCES EXCEPT AS NOTED	CHKD	DATE	
		MFO	DATE	
		APPVL	DATE	
	MM	±		NAME
	.00 ±	±		DG28R-B-XXP-1Y-00A (H)
	.000 ±	±		DRAWING NO. DG28R-E02
	ANGLES ± 1°	G.E :		SIZE A3
	THIRD ANGLE PROJECTION	FINISH :		REV T3
		SCALE : 1:1		04/27/09
		DO NOT SCALE DRAWING		SHEET 1 OF 1