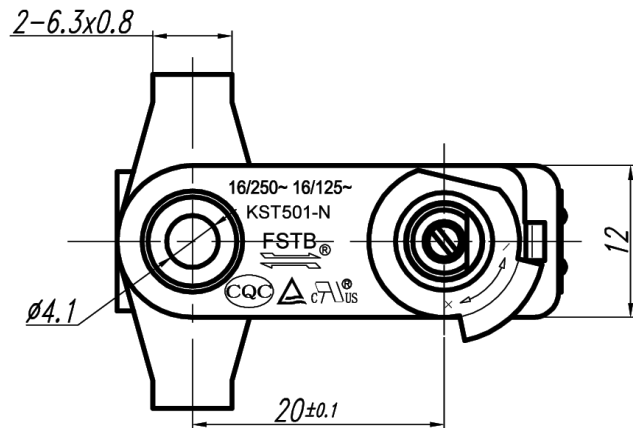


**NOTES:**

1. Rating: AC250V 16A、AC125V 16A
2. Hi-potest: 2500V 0.5mA 1S
3. Off Temp. at High Position:  $95 \pm 7^\circ\text{C}$
4. Operation angle:  $270^\circ \pm 5^\circ$
5. On angle:  $55^\circ \pm 20^\circ$  (R. T.  $25^\circ\text{C}$ )
6. Approval: CQC、TUV、CUL



Unit: mm		Title:  Thermostat	Drawing no.:	Rev.:
Undeclared tolerance : ≤3: ±0.1    >3~6: ±0.1    >6~30: ±0.2 >30~120: ±0.3    >120: ±0.5			KST501-N-16B140	A
Size: A4	Scale: 1.5:1	ERP    ERP no.:		
Design		Type of product or spec. of material:		
Checked		<b>KST501-N-16B140</b>		
Date		<b>TONGBAO-HUALONG CONTROLS CO., LTD.</b>		