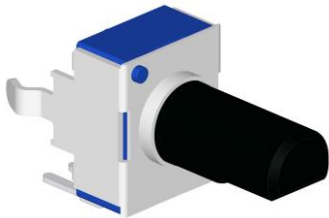




9mm Snap-In Insulated Shaft Potentiometer

R0904N



Part Number

R0904N – B 50K , L- 20 F

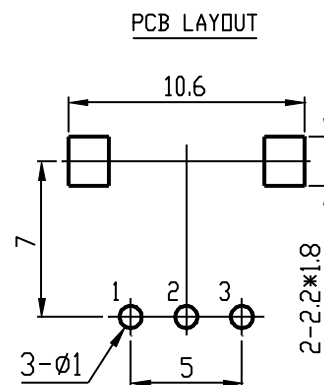
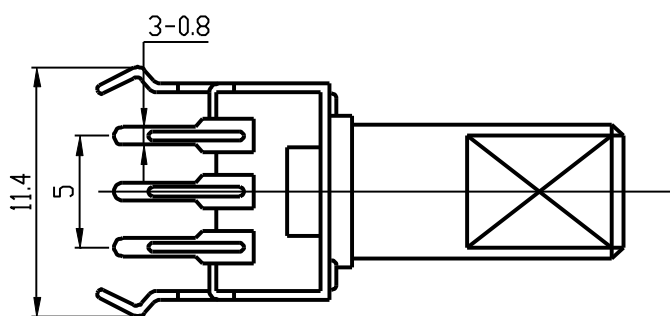
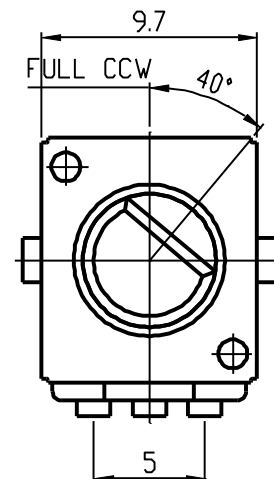
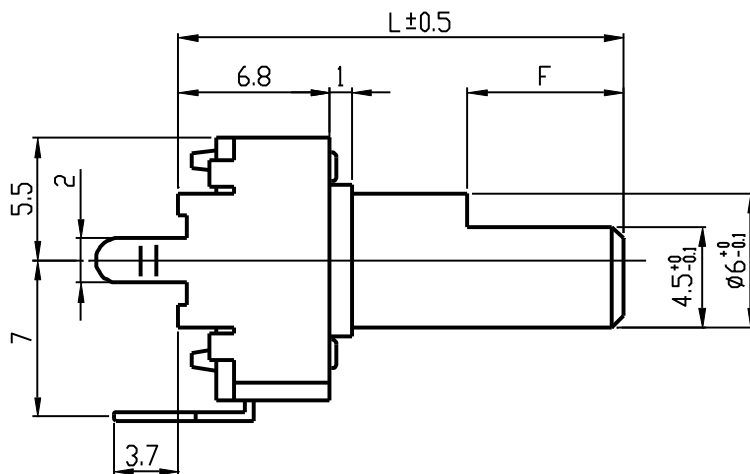
Taper

Shaft Length

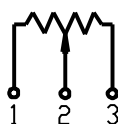
Shaft Type

Resistance value

Dimensions



CIRCUIT





9mm Snap-In Insulated Shaft Potentiometer

Shaft Type

| KC Type | | | | KS Type | | | | KQ Type | | | |
|----------------|-----------|-----------|-----------|----------------|-----------|-----------|-----------|----------------|-----------|-----------|-----------|
| | | | | | | | | | | | |
| L | 15 | 20 | 25 | L | 15 | 20 | 25 | L | 15 | 20 | 25 |
| A | 7 | 7 | 7 | A | 7 | 7 | 7 | A | 6 | 7 | 7 |

| KT Type | | | | | F Type | | | |
|----------------|-----------|-----------|-----------|-----------|---------------|-----------|-----------|-----------|
| | | | | | | | | |
| L | 9 | 15 | 20 | 25 | L | 15 | 20 | 25 |
| A | -- | 6 | 7 | 7 | F | 6 | 7 | 12 |

**9mm Snap-In Insulated Shaft Potentiometer****General**

| | |
|-----------------------|-----------------|
| Operating temperature | -10 °C ~ +70 °C |
| Manual soldering | 300 °C Max 3sec |

Electrical Characteristics

| | |
|------------------------|----------------------------|
| Total resistance | 500Ω ~ 500KΩ |
| Resistance tolerance | ±20% |
| Resistance taper | A B C |
| Sliding noise | Less than 80 mV |
| Residual resistance | Less than 20Ω |
| Insulation resistance | More than 100MΩ at DC 250V |
| Rated power(W) | 0.05W |
| Max. Operating voltage | AC 50V / DC 20V |
| Withstand voltage | 1 Minute at AC 250 V |

Mechanical Characteristics

| | |
|-----------------------------|---|
| Total rotational angle | 280° ± 10° |
| Rotational torque | 10 ~ 80 gf.cm |
| Rotational stopper strength | 3Kgf.cm Max |
| Shaft push-pull strength | 5Kgf.cm Max |
| CC torque | <input type="checkbox"/> 30 ~ 150 gf.cm |
| Rotational life | 15,000 Cycles. |