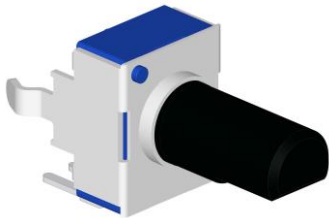




## 9mm Snap-In Insulated Shaft Potentiometer

**R0904N**



### Part Number

**R0904N – B 50K , L- 20 F**

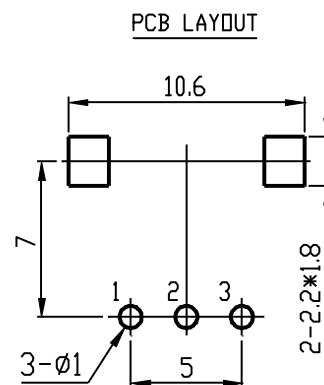
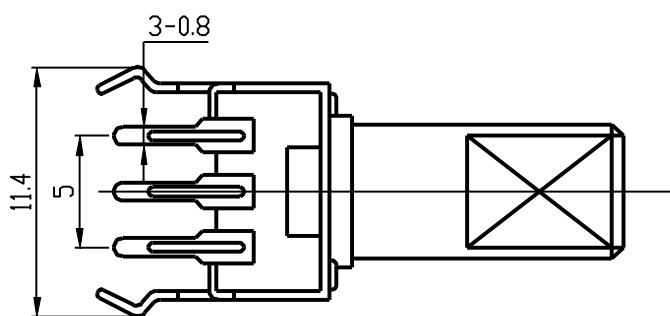
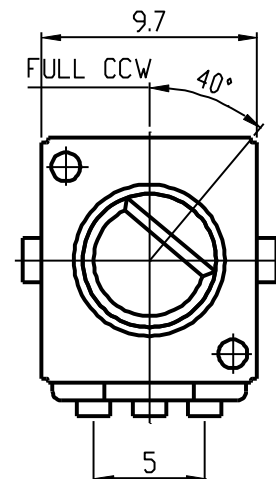
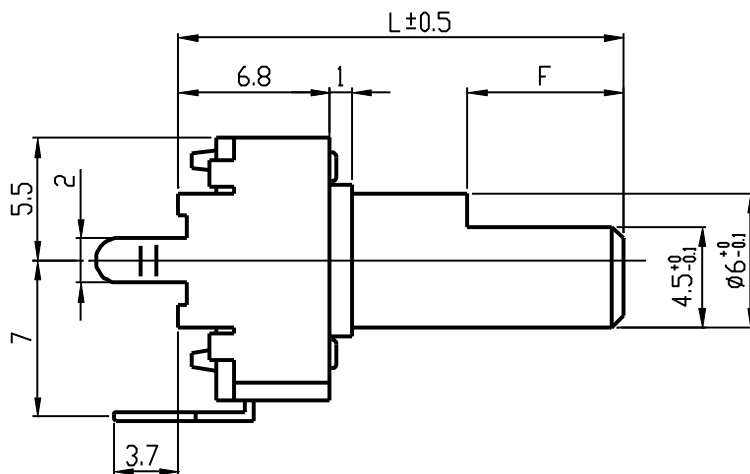
Taper

Resistance value

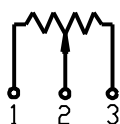
Shaft Length

Shaft Type

### Dimensions



### CIRCUIT





**9mm Snap-In Insulated Shaft Potentiometer**

**Shaft Type**

KC Type				KS Type				KQ Type			
<b>L</b>	<b>15</b>	<b>20</b>	<b>25</b>	<b>L</b>	<b>15</b>	<b>20</b>	<b>25</b>	<b>L</b>	<b>15</b>	<b>20</b>	<b>25</b>
<b>A</b>	<b>7</b>	<b>7</b>	<b>7</b>	<b>A</b>	<b>7</b>	<b>7</b>	<b>7</b>	<b>A</b>	<b>6</b>	<b>7</b>	<b>7</b>

KT Type					F Type			
<b>L</b>	<b>9</b>	<b>15</b>	<b>20</b>	<b>25</b>	<b>L</b>	<b>15</b>	<b>20</b>	<b>25</b>
<b>A</b>	<b>--</b>	<b>6</b>	<b>7</b>	<b>7</b>	<b>F</b>	<b>6</b>	<b>7</b>	<b>12</b>

**9mm Snap-In Insulated Shaft Potentiometer****General**

Operating temperature	-10 °C ~ +70 °C
Manual soldering	300 °C Max 3sec

**Electrical Characteristics**

Total resistance	500Ω ~ 500KΩ
Resistance tolerance	±20%
Resistance taper	A B C
Sliding noise	Less than 80 mV
Residual resistance	Less than 20Ω
Insulation resistance	More than 100MΩ at DC 250V
Rated power(W)	0.05W
Max. Operating voltage	AC 50V / DC 20V
Withstand voltage	1 Minute at AC 250 V

**Mechanical Characteristics**

Total rotational angle	280° ± 10°
Rotational torque	10 ~ 80 gf.cm
Rotational stopper strength	3Kgf.cm Max
Shaft push-pull strength	5Kgf.cm Max
CC torque	<input type="checkbox"/> 30 ~ 150 gf.cm
Rotational life	15,000 Cycles.