

		SPECIFICATION	
		<i>MODEL NAME: LEB1275-050-3.1-7.6-R-LAB</i>	

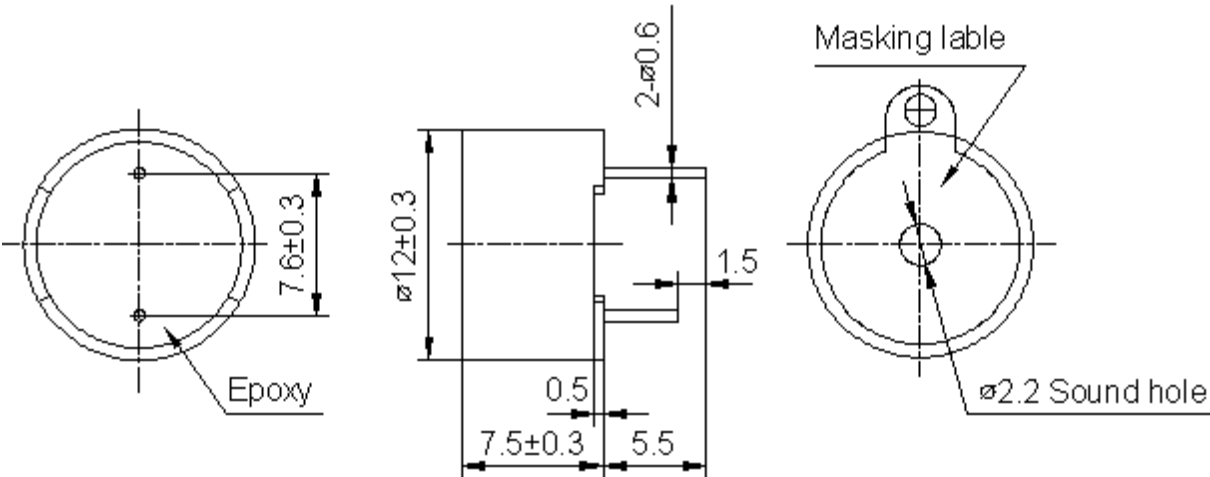
LEB1275-050-3.1-7.6-R-LAB ELECTRO-MAGNETIC BUZZER

1	Rated Voltage (VDC)	5
2	Operating Voltage (VDC)	4~7
3	*Resonant Frequency (Hz)	3100±300
4	*Sound Output at 10cm (dB)	≥85
5	*Current Consumption (mA)	≤30
6	Operating Temperature (°C)	-40~+85
7	Storage Temperature (°C)	-40~+90
8	Weight (g)	1.5
9	Housing Material	PPO

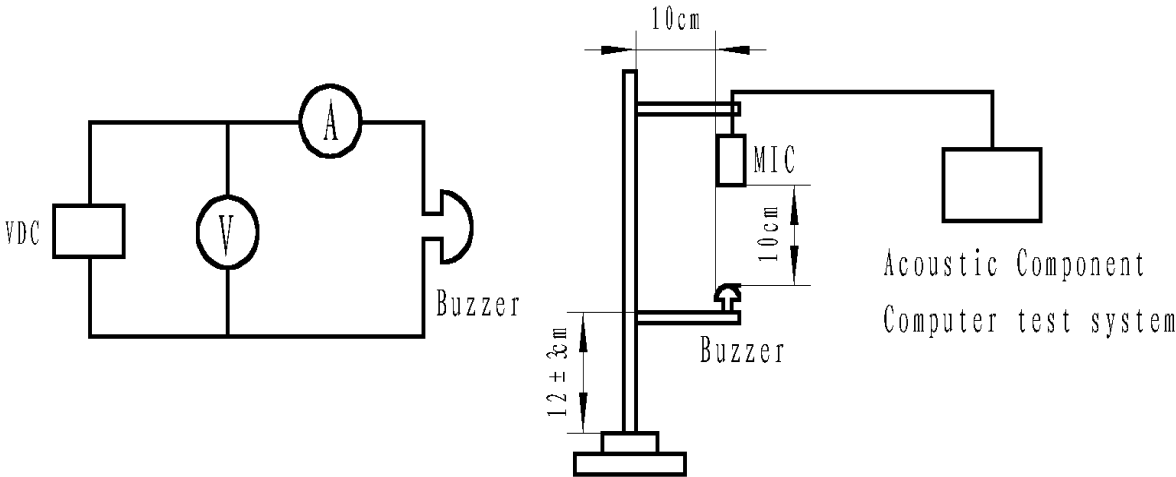
*Applying rated voltage (VDC)

DIMENSIONS (UNIT: mm)

Tolerance: ±0.5mm Except Specified



TEST METHOD:



Input Voltage VS. Sound Pressure Level & Current Consumption

