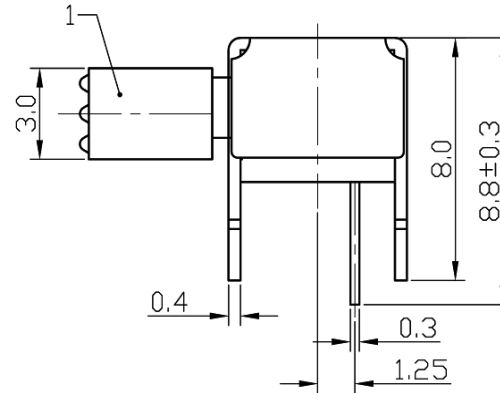
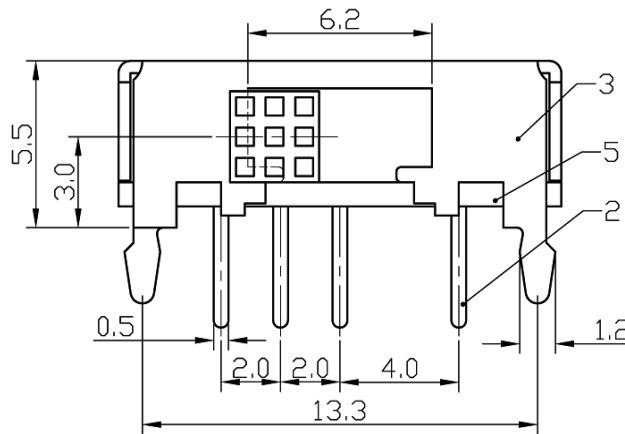
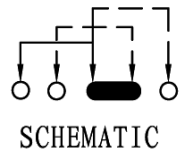
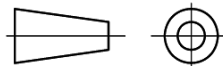


P.C.B LAYOUT



TITLE : HORIZONTAL SLIDE SWITCH

MODEL : SK13D12C-PGA (G)



TOLERANCE
 $\leq 1.5\text{mm} \pm 0.1$
 $> 1.5\text{mm} \pm 0.2$
 $\geq 10\text{mm} \pm 0.3$

ANGLE TOL
 $\pm 2^\circ$

NO.	PART NAME	MATERIAL	QTY.	FINISHING
5	BOARD	PHENOLIC RESIN	1	NATURE
4	CONTACT CLIP	PBS STRIP	1	Ag PLATED
3	FRAME	IRON STRIP	1	Ni PLATED
2	TERMINAL	BRASS STRIP	4	Ag PLATED
1	KNOB	POM	1	BLACK

UNIT	MM	DWN.	DATE	2011-11-01
SCALE	4 : 1	CHK'D	DATE	2011-11-01
VERSION	01	APPD.	DATE	2011-11-01