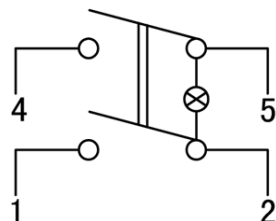
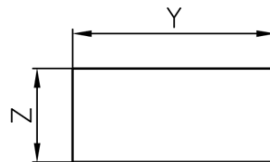


LIGHT ON/OFF



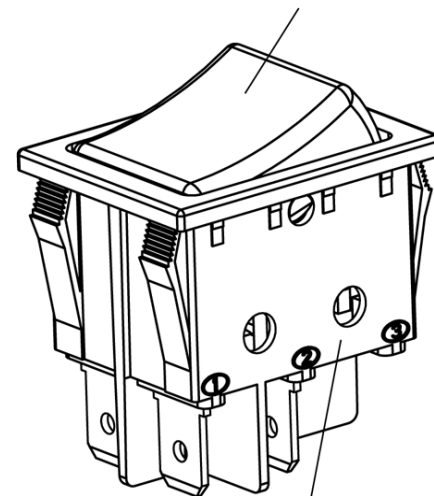
Circuit



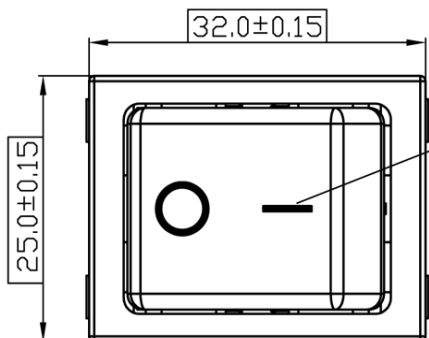
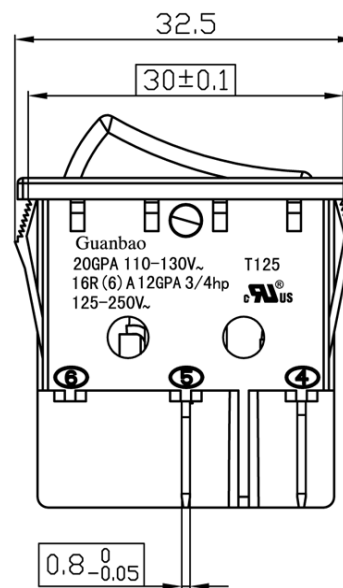
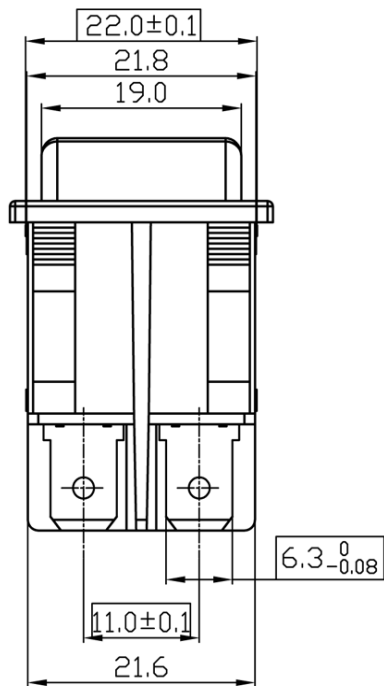
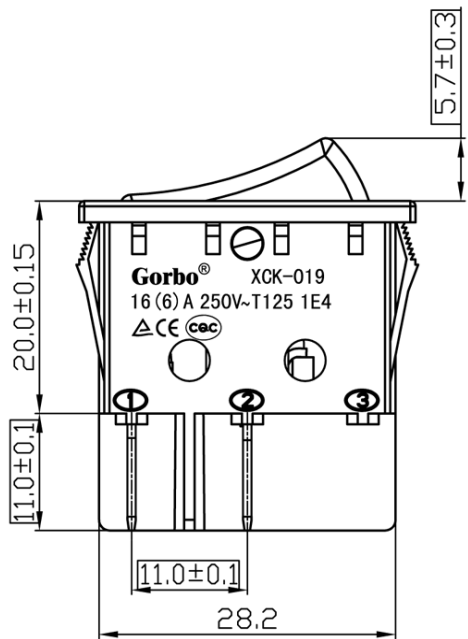
X	Dim. Y	Dim. Z
0.75 to 1.25mm	30 ^{+0.1}	22 ^{+0.1}
1.25 to 2mm	30.1 ^{+0.1}	22 ^{+0.1}
2 to 3mm	30.2 ^{+0.1}	22 ^{+0.1}

Panel hole

KNOB COLOR :
TRANSPARENT RED



HOUSE COLOR :
BLACK



Pad print COLOR :
White

01	--	INITIAL RELEASE		2013. 02. 22
(REV.)	(REF.)	DESCRIPTION		(DATE)
(NAME)	XCK-019	(FUNCTION)	LIGHT ON-OFF	
(MODEL NO.)	XCK-019			
(Material No.)	XCK-019-202-02R	(SCALE)	NTS	(DATE) 2013. 02. 22
(Tolerance unless otherwise specified: X. = ±0.15; . x = ±0.10; . xx = ±0.05; < ±1° UNIT: mm)				
				