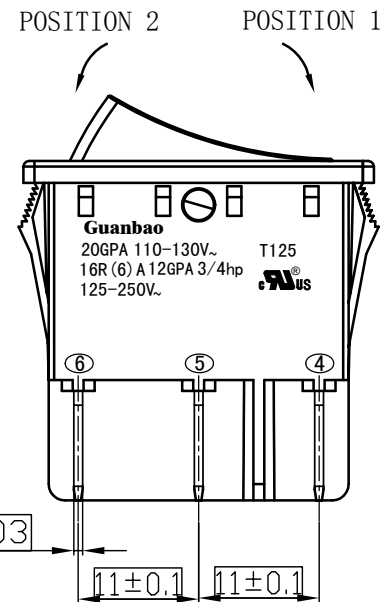
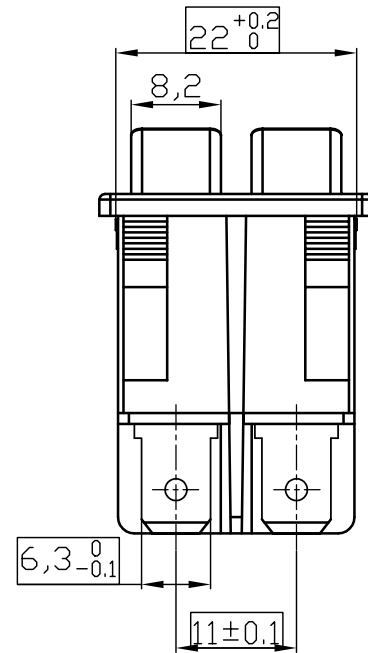
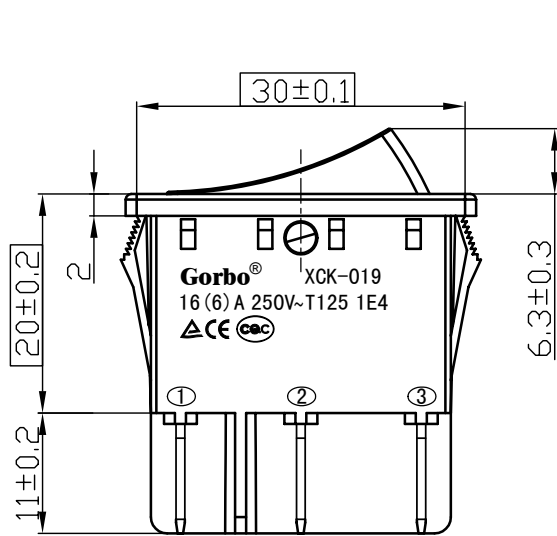
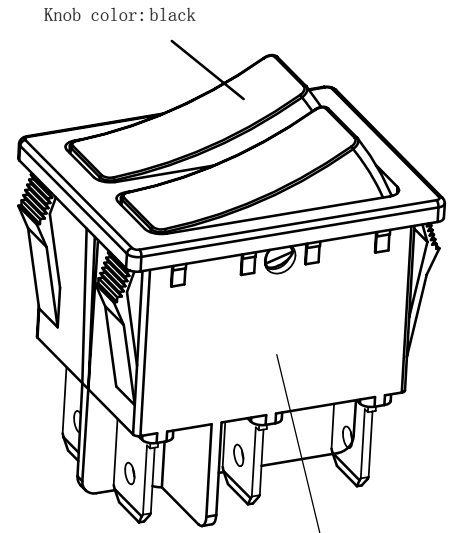


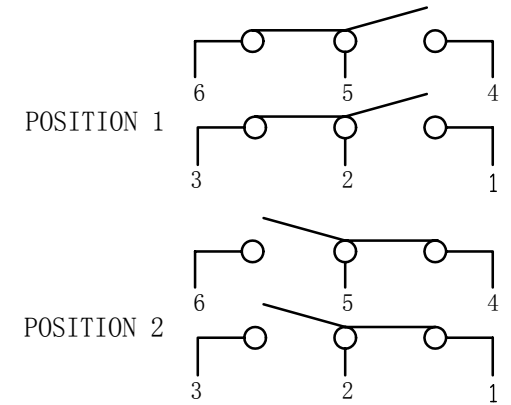
Switch panel hole dim.
X=Panel Thickness

X	Dim. Y	Dim. Z
0.75 ~ 1.25mm	30 ^{+0.1}	22 ^{+0.1}
1.25 ~ 2mm	30.1 ^{+0.1}	22 ^{+0.1}
2 ~ 3mm	30.2 ^{+0.1}	22 ^{+0.1}

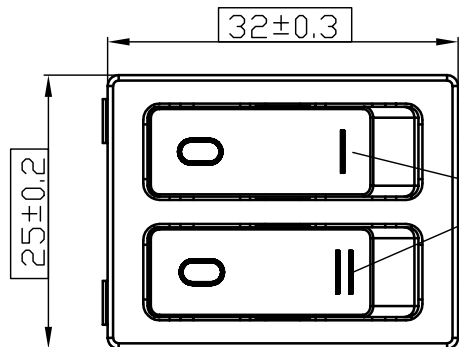
Assemble hole
dimension



house color: black



Circuit



Pad print COLOR: WHITE

01	--	INITIAL RELEASE	LKH	YXB	2018.08.27
(REV.)	(REF.)	DESCRIPTION	DRAW BY	CHECK BY	(DATE)
(NAME)			(Function)	ON-ON	
MODEL NO.	XCK-019		DRAW BY	Laikunhua	APP. BY
(Material No.)	XCK-019-195-02U	(SCALE) NTS	(DATE) 2018.08.27		(DATE)
Tolerance unless otherwise specified: X, ±0.2; .x±0.15; .xx±0.1; <=±1° UNIT:mm					