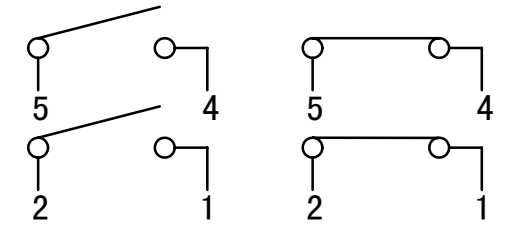
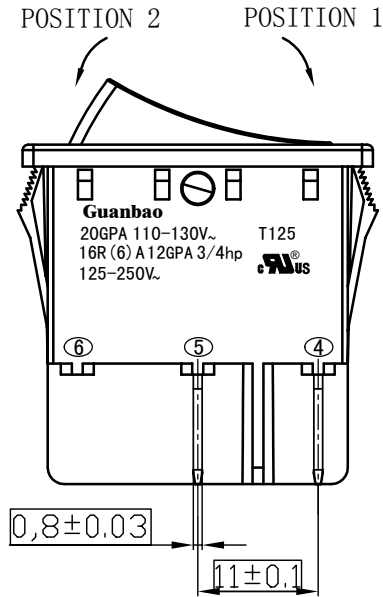
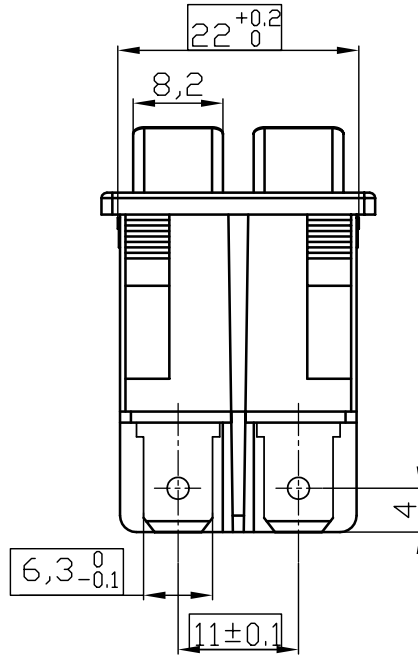
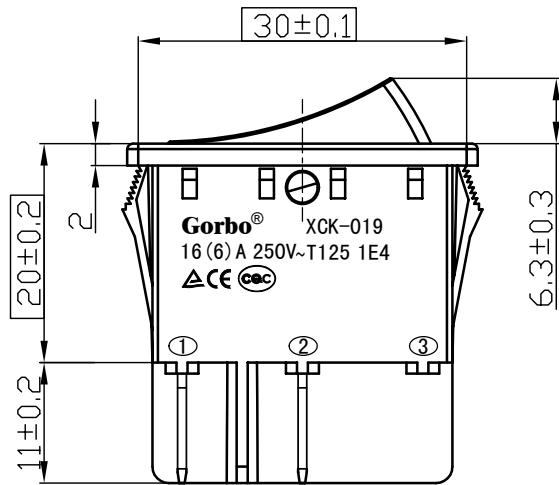
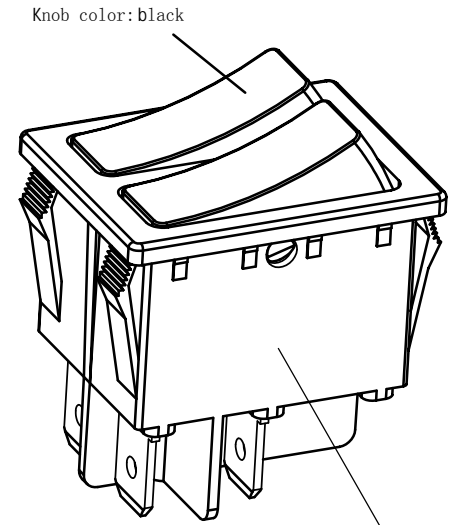


Switch panel hole dim.
X=Panel Thickness

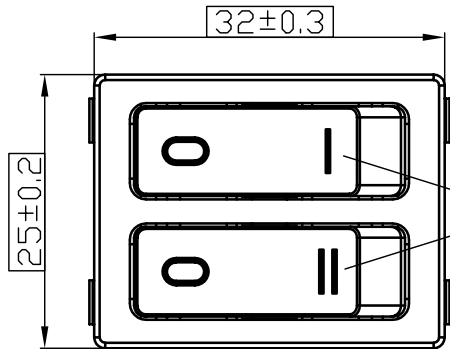
X	Dim. Y	Dim. Z
0.75 ~ 1.25mm	30 ^{+0.1}	22 ^{+0.1}
1.25 ~ 2mm	30.1 ^{+0.1}	22 ^{+0.1}
2 ~ 3mm	30.2 ^{+0.1}	22 ^{+0.1}

Assemble hole dimension



POSITION 1 POSITION 2

Circuit



Pad print COLOR: White

01	--	INITIAL RELEASE	LKH	YXB	2018.08.27
REV.	(REF.)	DESCRIPTION			
NAME		(Function) ON-OFF			
MODEL NO.	XCK-019	DRAW BY	Laikunhua	APP. BY	
(Material No.)	XCK-019-191-15U	(SCALE) NTS	(DATE) 2018.08.27	(DATE)	
Tolerance unless otherwise specified: X. = ±0.2; . x = ±0.15; . xx = ±0.1; < ±1° UNIT: mm					