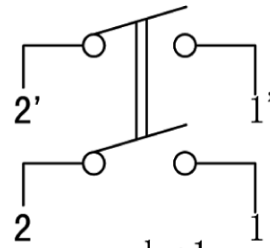
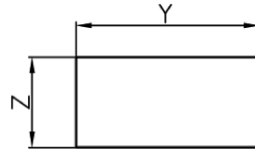


DPST:ON/OFF

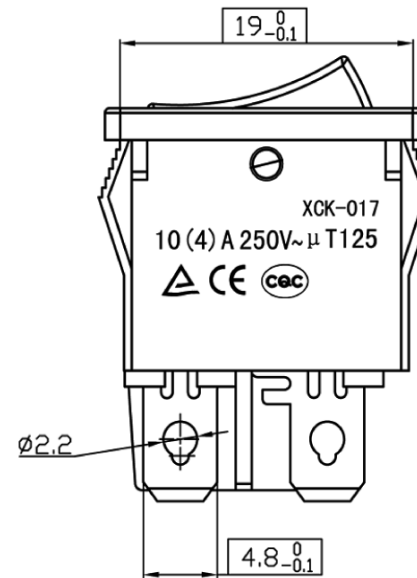
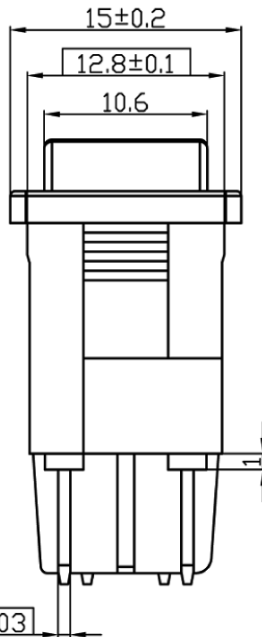
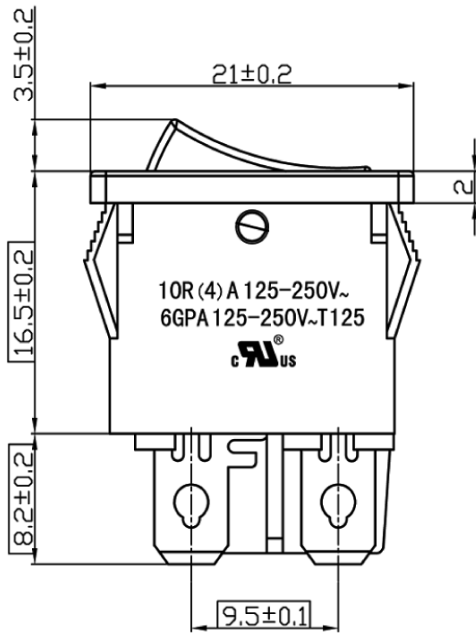
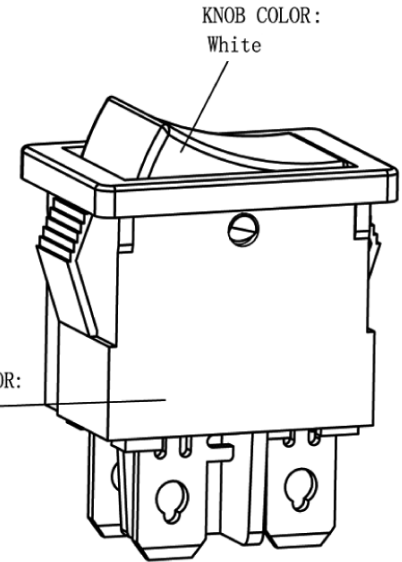


code:1
Circuit



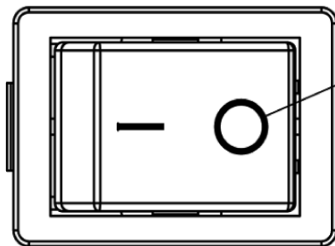
Switch panel hole dim.
Panel Thickness

X	Dim. Y	Dim. Z
0.75 to 1.25mm	19 ^{+0.1}	12.9 ^{+0.1}
1.25 to 2mm	19.1 ^{+0.1}	12.9 ^{+0.1}
2 to 3mm	19.2 ^{+0.1}	12.9 ^{+0.1}



Technology require

- Switch rating:
CQC/TUV CE: 10(4)A 250Vac μ T125;
UL: 10R(4)R 125-250VAC 6GPA 125-250VAC T125;
- Contact:self clearing
- Material&outlook:
Knob:White nylon 94v-2, pad print,
House:White nylon 94v-2, rating
current, voltage, model, trade marking;
Terminal&Moving contact:
copper alloy silver plated;
- Approvals:ROHS, REACH, PAHS
- Switch hi-pot, insulation
resistance, contact resistance:
P-P:1500Vac 0.5mA 10S
P-H:3000Vac 0.5mA 10S
insulation resistance: $\geq 7M\Omega$ 500Vdc
contact resistance: $\leq 50m\Omega$
- The switch operation movine, position
is clear, no exrescent position and stick;
- function explain:operation switch's knob,
the switch can be actualized ON/OFF function;
- with "□" essential quality dimension



Pad print COLOR:
BLACK

01	--	INITIAL RELEASE	LKH	YXB	2018.09.25
(REV.)	(REF.)	DESCRIPTION	(DRAW BY)	(CHECK BY)	(DATE)
(NAME)	swtich a-drawing		FUNCTION ON-OFF		
(MODEL NO.)	XCK-017		(DRAW BY) Laikunhua	(APP. BY)	
(Material No.)	XCK-017-281-07U	SCALE NTS	(DATE) 2018.09.25	(DATE)	
(Tolerance unless otherwise specified:X. =±0.20;. x=±0.15;. xx=±0.10;<=±1° UNIT:mm)					