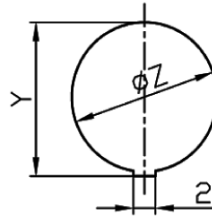


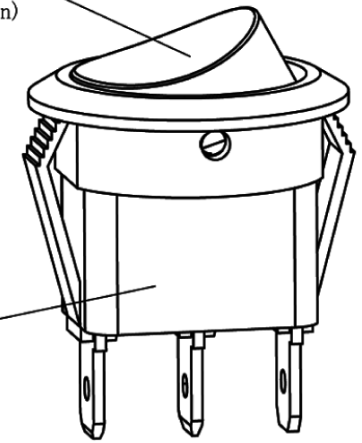
(Switch panel hole dim.)
(Panel Thickness)



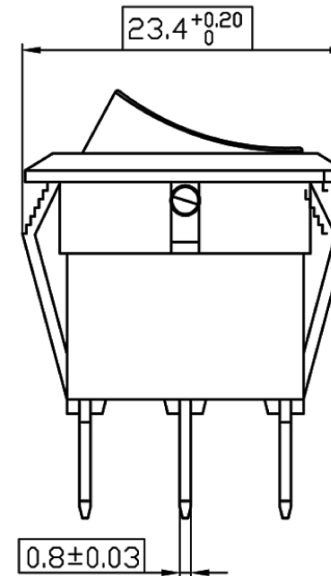
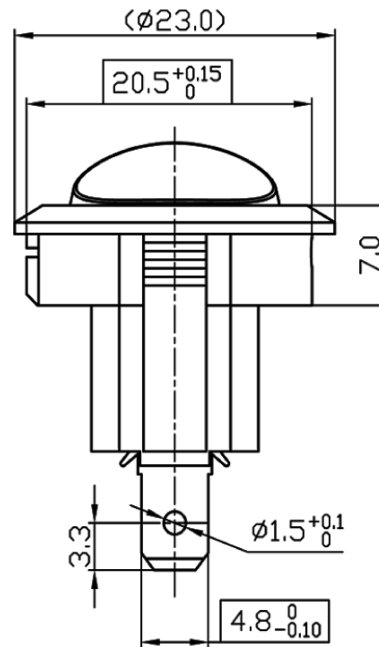
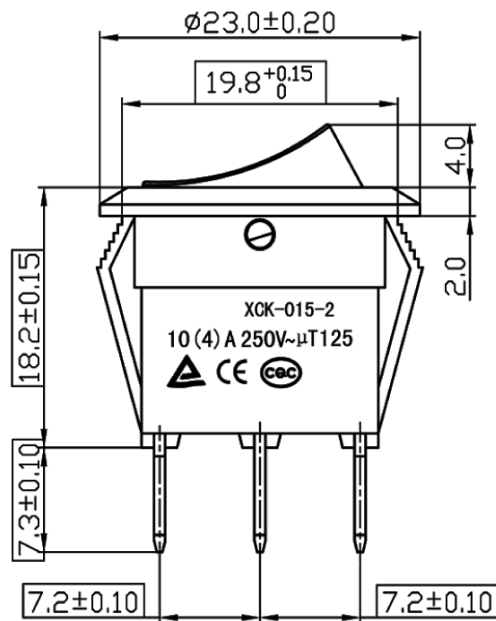
X	Dim. Y	Dim. Z
0.75 to 1.25mm	$21^{+0.1}$	$20.3^{+0.1}$
1.25 to 2mm	$21^{+0.1}$	$20.4^{+0.1}$
2 to 3mm	$21^{+0.1}$	$20.5^{+0.1}$

(Panel hole)

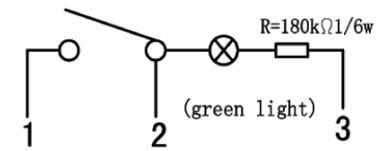
(Knob color:green)



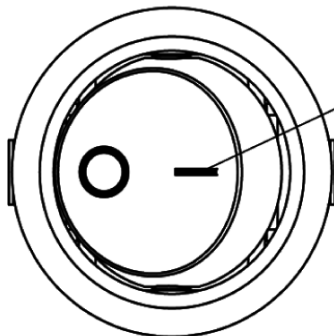
(house color:black)



SPST:Light ON/OFF



code:6
Circuit



Print color:white

01	--	(INITIAL RELEASE)	LKH	YXB	2017.07.22
(REV.)	(REF.)	(DESCRIPTION)	(DRAW BY)	(CHECK BY)	(DATE)
(NAME)	swtich a-drawing		(Function) LIGHT ON-OFF		
(MODEL NO.)	XCK-015-2		(APP. BY)		
(Material NO.)	XCK-015-202-118R	(SCALE) NTS	(DATE) 2017.07.22	(DATE)	
(Tolerance unless otherwise specified:X.=±0.15;.x=±0.10;.xx=±0.05;<=±1° UNIT:mm)				