

# Клавишные переключатели серии SR32

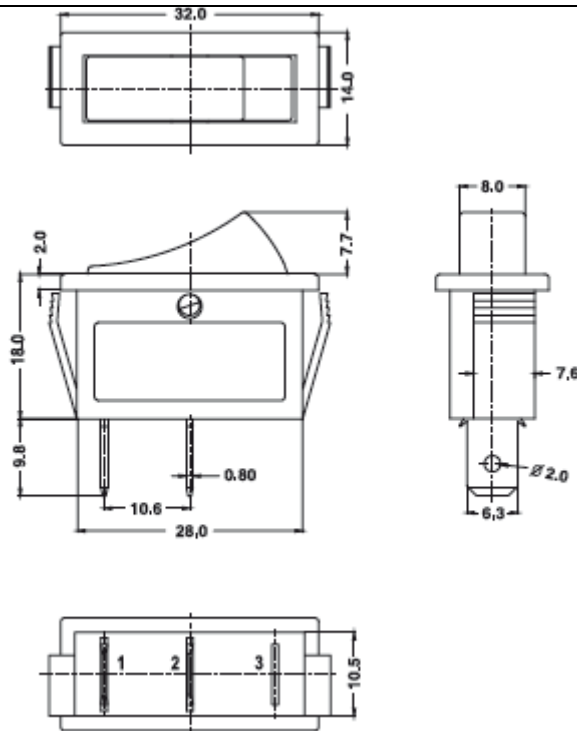
Выключатель SR32,  
подсветка красная, глазок



Варианты исполнений  
корпус/клавиша: белый,  
черный, серый

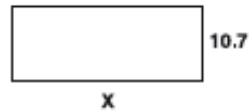
16A/250V

В наличии на складе.



Base 1 suggested panel hole size

Panel thickness	X
0,75-1,25	30,3
1,25-2,0	30,5
2,0-3,0	30,7



Base 2 suggested panel hole size

Panel thickness	X
0,75-1,25	30,3
1,25-2,0	30,5
2,0-3,0	30,7



Иные исполнения – под заказ.



Пример обозначения:

**SR-32**

A L T 1 BK BK 3 0 0 0 00

Function	Current	Terminal Type	Base Type	Base Color	Button Color	Button Type	Printing	Color of Printing	Lamp Voltage	Small Lens Color	Internal Use Only
A ON-OFF	L 16(4)A 250VAC	T	1	BK Black	BK Black	1 (For N&P functions only)	0 None	0 None	0 None	00 None	Internal Use Only
B ON-ON	10(3)A 250VAC 5E4			WT White	WT White		1 White	1 White	1 12V	RE Red	
C ON-OFF-ON	16A 125VAC	T1	2	GE Grey	GE Grey	2 (For N&P functions only)	2 Black	3 110V	GR Green		
D (ON)-OFF	H 16(4)A 250VAC			RE Red	RE Red		3 Red	4 220V	BL Blue		
E ON-(OFF)	10(3)A 250VAC 5E4	T2	3	GR Green	GR Green	3 (Except functions N,P)	4 Blue		AM Amber		
F ON-(ON)	16A 125VAC			BL Blue	BL Blue		5 Yellow				
M ON-OFF-(ON)	1/2HP 250VAC	S	4	OR Orange	OR Orange	4 (For N&P functions only)	6				
X (ON)-OFF-(ON)	1/4HP 125VAC			YE Yellow	AM Amber		7				
N ON-OFF w/lamp (Unswitched neutral)		P	5	YE Yellow	YE Yellow	5 (For I function only)	8 ON OFF				
P ON-OFF w/lamp (Switched neutral)				9 OFF ON							
I Indicator							A				
							D				
							H				

