

Technical Parameter(Limiter)

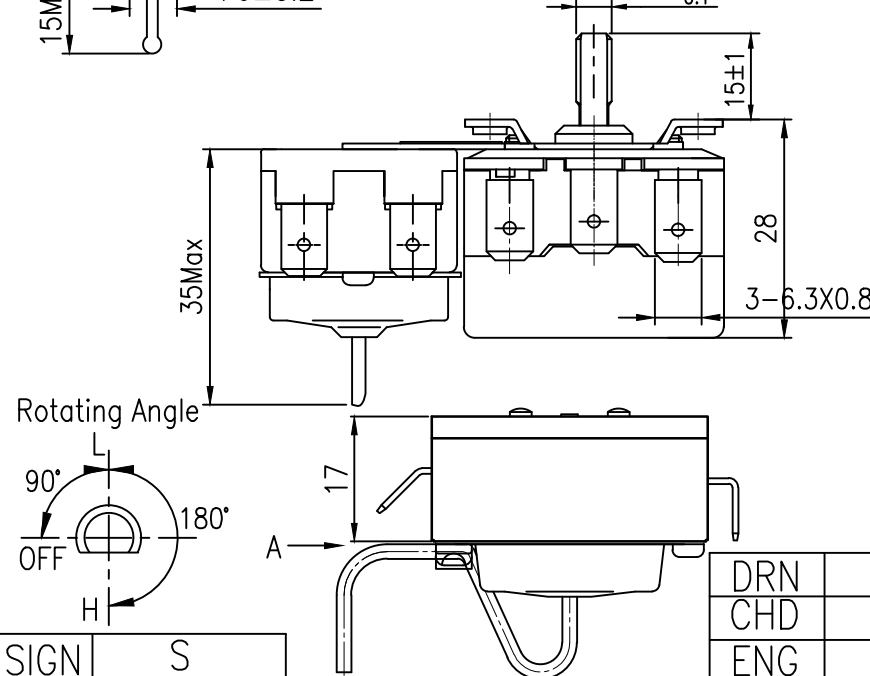
- Cut-off temperature: $125 \pm 7^\circ\text{C}$
- Reset mode: manual reset $< 40^\circ\text{C}$
- Rated voltage: AC 250V Rated current: AC 20A
- Electric diagram:
- Contact resistance: $< 50\text{m}$ (under normal condition)
- Insulation resistance: $> 100\text{M}$ (under normal condition)
- Dielectric strength: AC 2000V 1min (under normal condition)
- Temperature change speed: $< 1.0^\circ\text{C}/\text{min}$
- Life of contact: > 6000 cycles
- Capillary in bath: $\geq 150\text{mm}$
- When there is any leak on capillary or bulb, the thermostat will be off
- The operating temperature above is 25°C ambient temperature (temperature around the switch body), if the ambient temperature changes, the operating temperature need to be modified.

Technical Parameter(Controller)

- H/off: $100 \pm 6^\circ\text{C}$ Diff: $5.5 \pm 3.5^\circ\text{C}$
L/off: (40°C)
- Breaking capacity: C-1 25A 277V~ C-2 3A 277V~
- Insulation Resistance: $> 100\text{M}\Omega$
- Dielectric Strength: AC 2000V 1min
- Temperature change speed: $< 1.0^\circ\text{C}/\text{min}$
- Maximun temperature:
 - Around the Switch Head $T80^\circ\text{C}$
 - Around the Sensing Bulb 130°C
- Rotating Torque of Adjustment Shaft: $< 0.4\text{Nm}$
- Life of Product: 30,000 Cycles

REMARK:

The operating temperature above is at 25°C ambient temperature (temperature around the switch body), if the ambient temperature changes, the operating temperature needs modified.
 Temperature modified value: $C = -0.17(\text{K}/\text{K})$
 The scheme shows the H temperature position.
 The product has been given the following safty approval: CUL .



SIGN	S
DATE	Jun.16.2017

DRN		Liquid Expansion Type Thermostat	Customer: VETRA
CHD			Customer code:
ENG			Tongbao code: WYG100L-061-H/WQB125L
APPR			FOSHAN TONGBAO HUASHENG CONTROLLER CO., LTD.
		WIRING DIAGRAM	