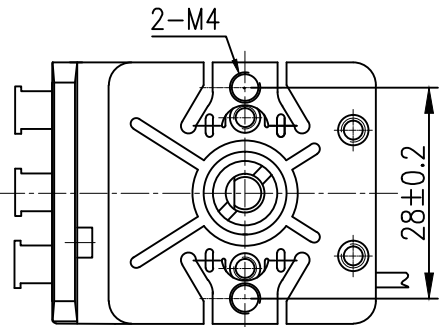
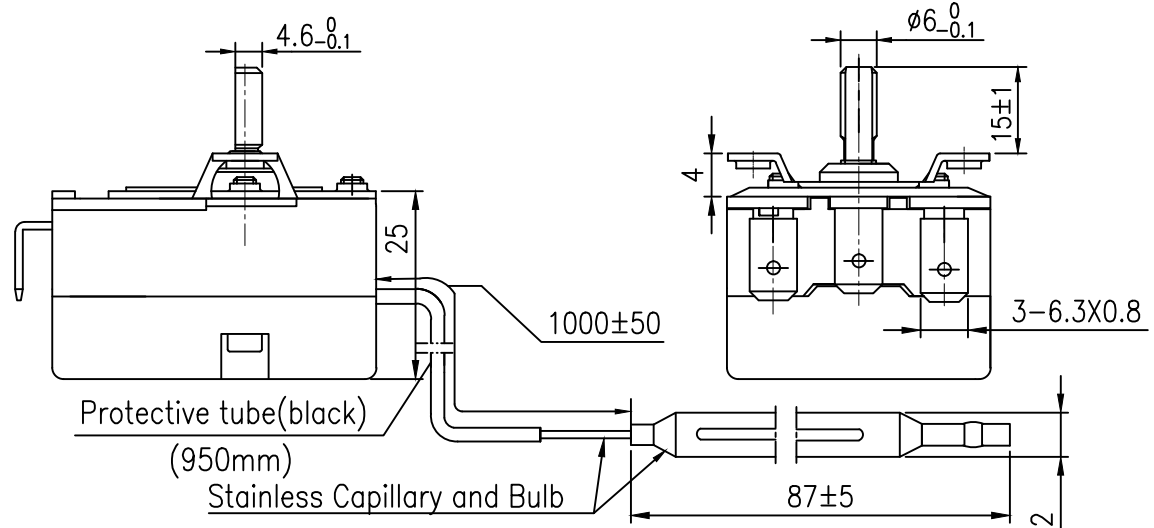
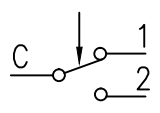
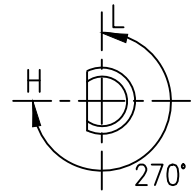


Rotating Angle

Electric Diagram:
S.P.D.T



Technical Parameter

- H/off: $80 \pm 5^{\circ}\text{C}$ Diff: $5.5 \pm 3.5^{\circ}\text{C}$
- L/off: (0°C)
- Breaking capacity
 - C-1 25A 277V~
 - C-2 3A 277V~
- Insulation Resistance: $> 100\text{M}\Omega$
- Dielectric Strength: AC 2000V 1min
- Temperature change speed: $< 1.0^{\circ}\text{C}/\text{min}$
- Maximum temperature:
 - Around the Switch Body $T_{80^{\circ}}$
 - Around the Sensing Bulb 110°
- Rotating Torque of Adjustment Shaft: $< 0.4\text{Nm}$
- Life of Product: 30,000 Cycles

REMARK:

1. The operating temperature above is at 25°C ambient temperature (temperature around the switch body), if the ambient temperature changes, the operating temperature need to be modified.
Correction factor: $C = -0.18[\text{K}/\text{K}]$
2. The scheme shows the H position
3. Mounting screws must not touch thermostat body. Please use screws with proper length (5mm recommended).
4. Submerged capillary length: $50 \pm 30\text{mm}$.
5. The product has been given the following safety approval: CUL.

SIGN	S
DATE	Jun.12.2017

DRN		Liquid Expansion Type Thermostat	Customer: VETRA
CHD			Customer code:
ENG			Tongbao code: WYG80A-061-H
APPR			FOSHAN TONGBAO HUASHENG CONTROLLER CO., LTD.
		WIRING DIAGRAM	