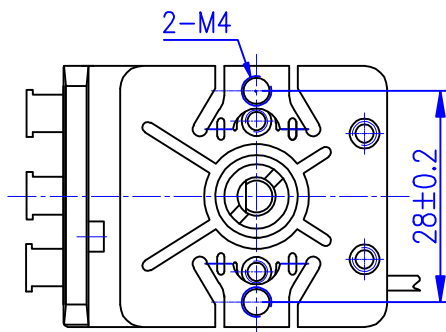
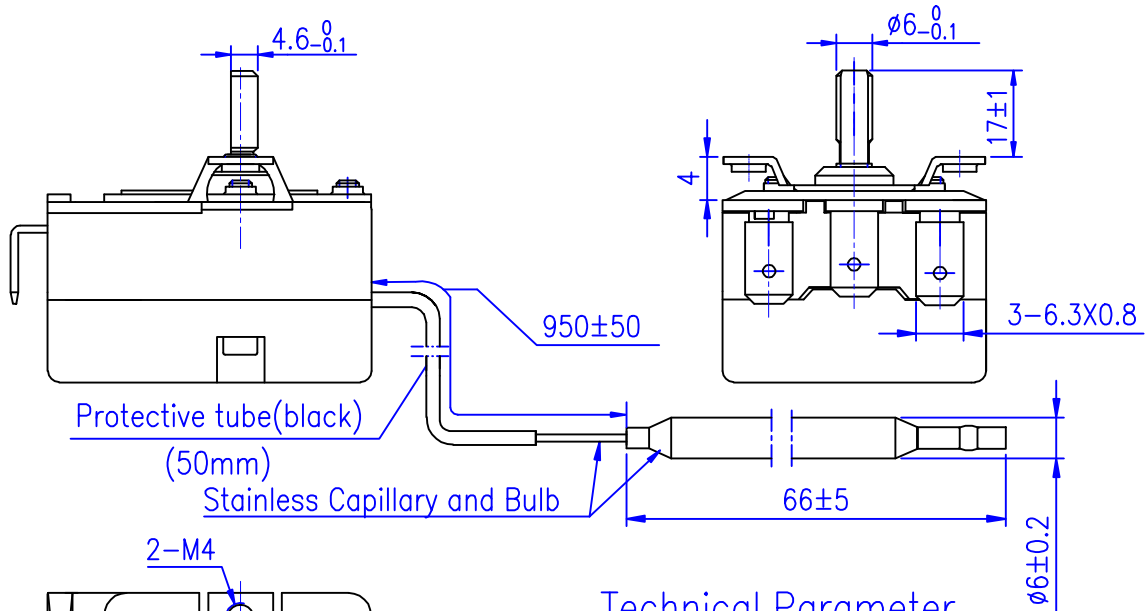
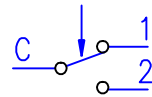
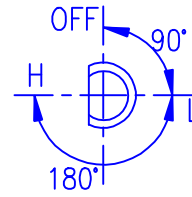


Rotating Angle

Electric Diagram:

S.P.D.T



Technical Parameter

- H/off: 180±9°C      Diff: 7±4°C
- L/off: (50°C)
- Breaking capacity
  - C-1 25A 277V~
  - C-2 3A 277V~
- Insulation Resistance: >100MΩ
- Dielectric Strength: AC 2000V 1min
- Temperature change speed: <1.0°C/min
- Maximum temperature:
  - Around the Switch Body T80°
  - Around the Sensing Bulb 240°
- Rotating Torque of Adjustment Shaft: <0.4Nm
- Life of Product: 30,000 Cycles(CUL)

REMARK:

1. The operating temperature above is at 25°C ambient temperature (temperature around the switch body), if the ambient temperature changes, the operating temperature need to be modified.  
Correction factor:  $C = -0.26 [K/K]$
2. The scheme shows the H position
3. Mounting screws must not touch thermostat body. Please use screws with proper length (5mm recommended).
4. Submerged capillary length :50±30mm.
5. The product has been given the following safety approval: CUL .

DRN		Liquid Expansion Type Thermostat	Customer: VETRA
CHD			Customer code:
ENG			Tongbao code: WYG180D-061-H
APPR		WIRING DIAGRAM	FOSHAN TONGBAO HUASHENG CONTROLLER CO., LTD.

SIGN	S
DATE	Nov.13.2018