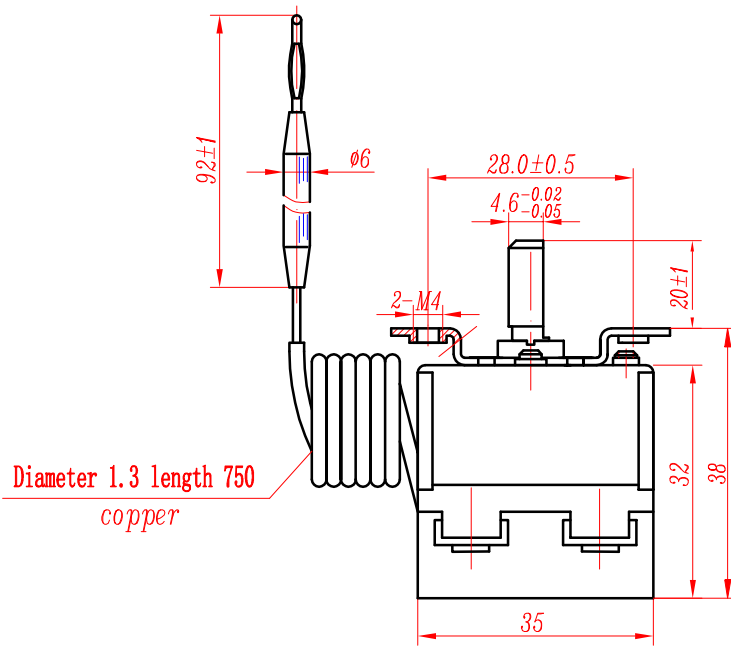
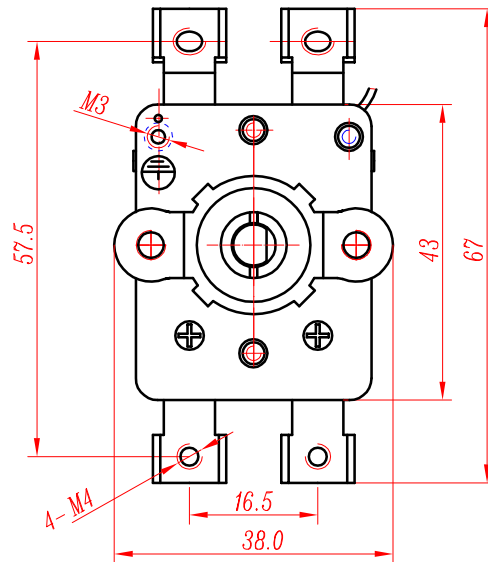
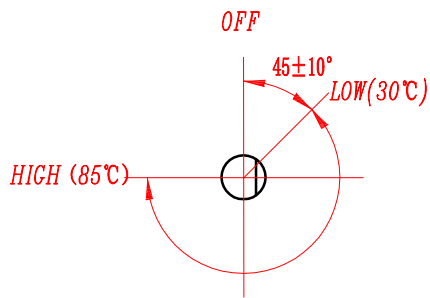


0'LOAM



It's show "OFF" position



Technical Parameter	Temp. Rang	85°C±4°C	Dielectric Strength	2500V/1min,
	Diff	3~9°C	Temp. Change Speed	1K/min
Contact Resistance	<30mΩ		Condition	TS $\begin{matrix} > \\ = \\ < \end{matrix}$ TB
Insulation Resistance	≥50MΩ		Life	开闭次数: 5X10 ⁴
S.P.D.T			Breaking capacity	AC 250V、 25A

				WY-R122SD-85			
				Thermostat			
				WY07.0			
22.10.20				S		A B	