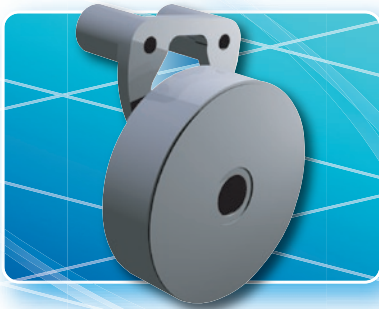


SAS-2154 PIEZO SOUNDER



The SAS-2154 is a thin piezo electric siren with high sound pressure, low weight and low current consumption. The sound output is a powerful, clear and aggressive warning signal. There are many applications for this siren: all fire alarms, cars and motor vehicles, automation equipment, security devices, etc. The vibrating elements are unique and developed at Sonitron (worldwide patented). This series is made from high quality materials, offers extreme reliability and robustness, and features life time over 2000 hours in continuous use.

ADVANTAGES & APPLICATIONS

ADVANTAGES :

- Loud siren output with high sound pressure level
- Dust tight, waterproof (IP67)
- Low current consumption
- No magnetic field

APPLICATIONS :

- Car alarm
- Fire alarm
- Motor alarm
- Home security alarm

SPECIFICATIONS

Model	Function	Sound pressure level* (dB(A)(±2dB(A))	Frequency (Hz)(±30%)	Operating voltage (Vdc)	Operating current*** (mA)
SAS-2154-S	Sweep	105	2000 to 3500**	6-15	100
SAS-2154-W	Warbler	105	3000 and 3500**	6-15	110

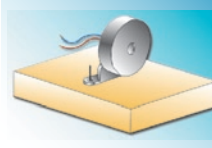
* Wideband power level, measured @15Vdc (S-version) or 10Vdc (W-version) @1 meter @21°C @35% RH.

** Interval frequency is 3Hz (± 2Hz).

*** Operating current @12Vdc

Operating temperature:	-40°C to +60°C
Storage temperature:	-40°C to +60°C
Expected life time:	2000 hours continuous working @12Vdc @21°C @35% RH
Color:	grey, black, red, ivory
Terminals:	pins, fast-on and wire connection
Case material:	ABS plastic (UL rating: 94HB)
Weight:	35g
Mounting method:	Mounting on panels and walls with universal bracket

**105 dB(A)
@ 1 meter**

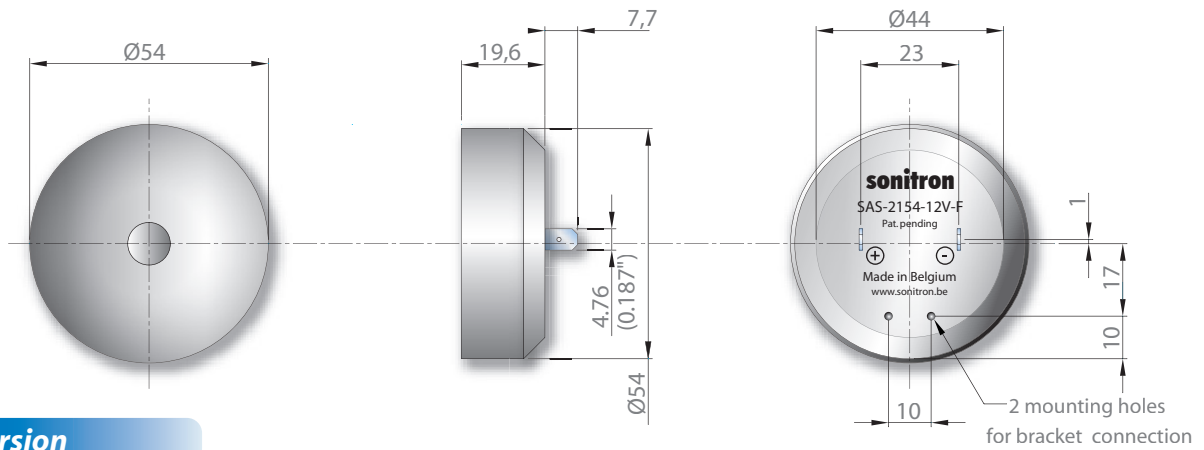


DIMENSIONS (all dimensions are in mm)

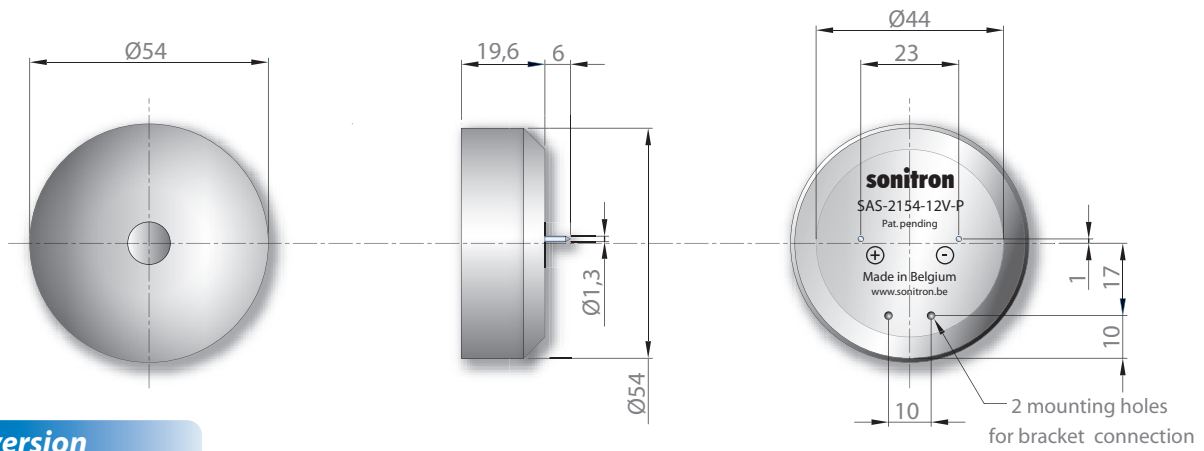


Dimensions of Piezo sounder without mounting bracket

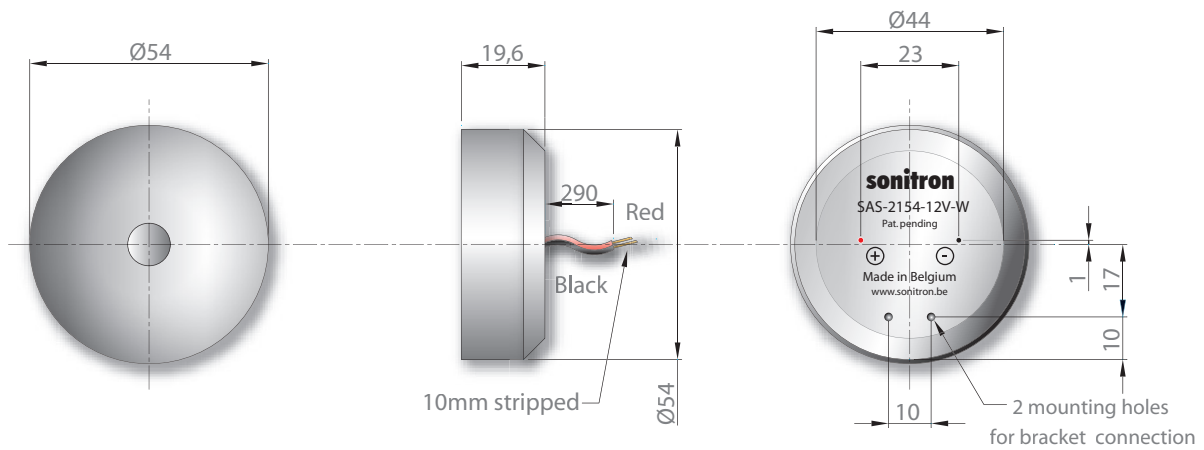
Fast-on version



Pin version



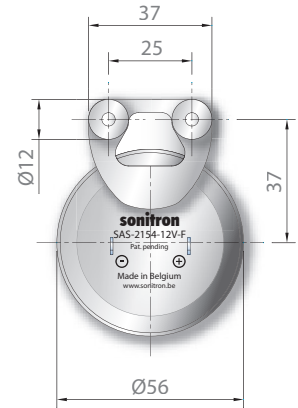
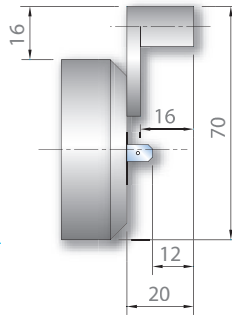
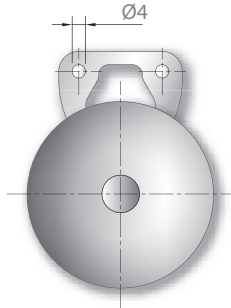
Wire version



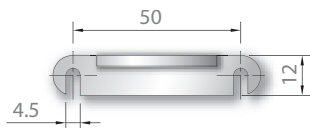
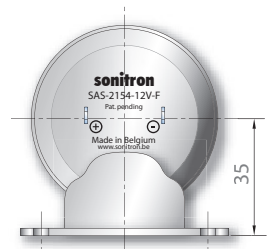
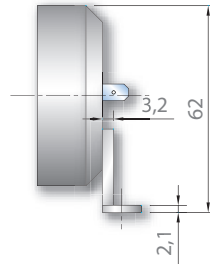
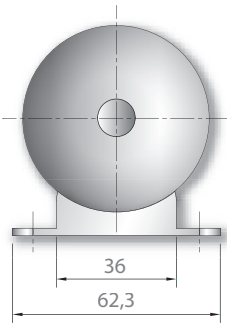
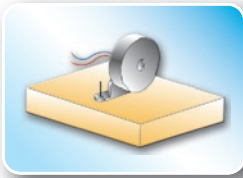
Tolerance: +/- 0.2mm

DIMENSIONS (all dimensions are in mm)

1. Dimensions of Piezo Sounder with mounting bracket (MB1)

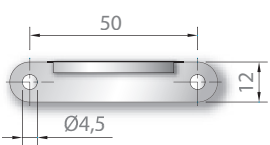
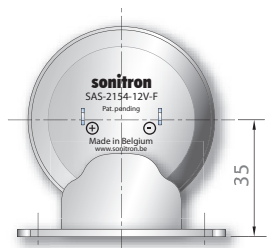
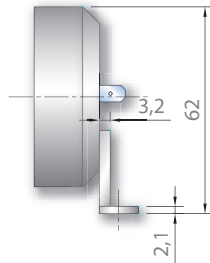
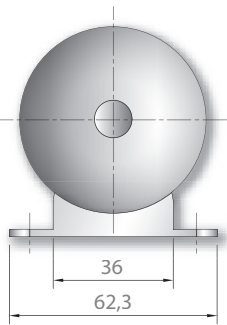


2. Dimensions of Piezo Sounder with mounting bracket (MB2)



grooves version

3. Dimensions of Piezo Sounder with mounting bracket (MB3)



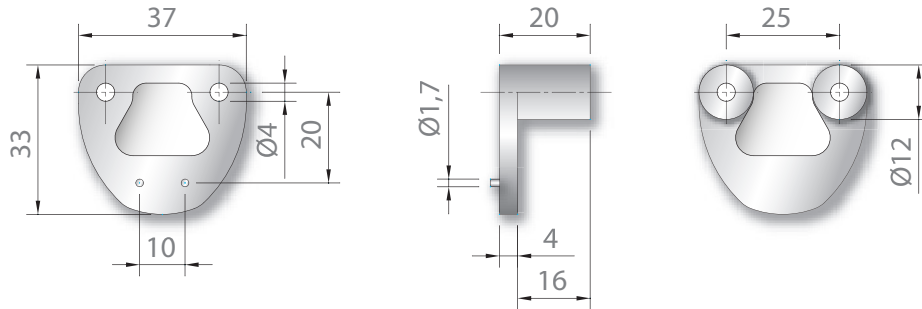
holes version

Tolerance: +/- 0.2mm

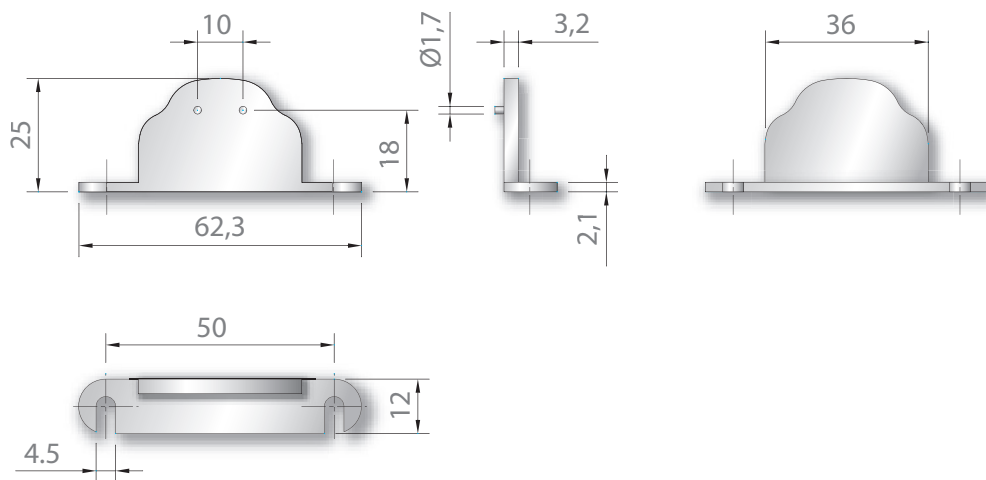
DIMENSIONS (all dimensions are in mm)

Dimensions of mounting brackets

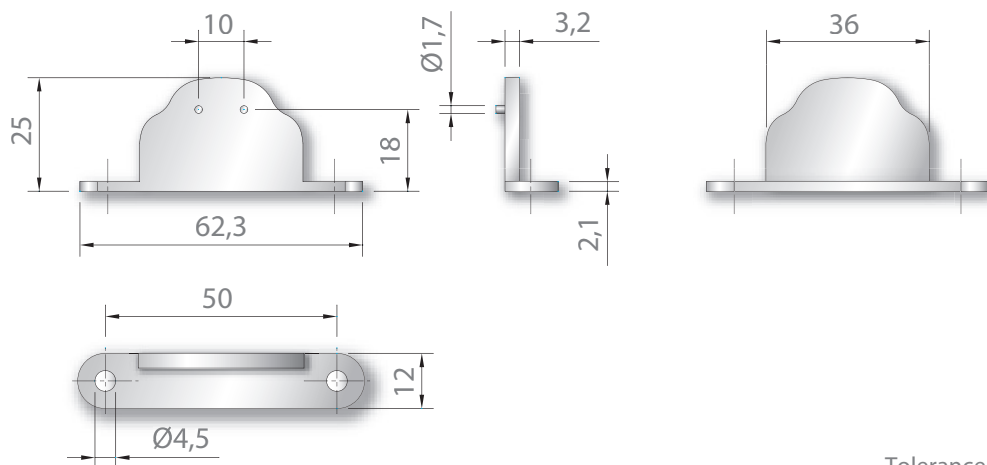
1. Mounting bracket for wall connection (MB1)



2. Mounting bracket for flat connection with grooves (MB2)

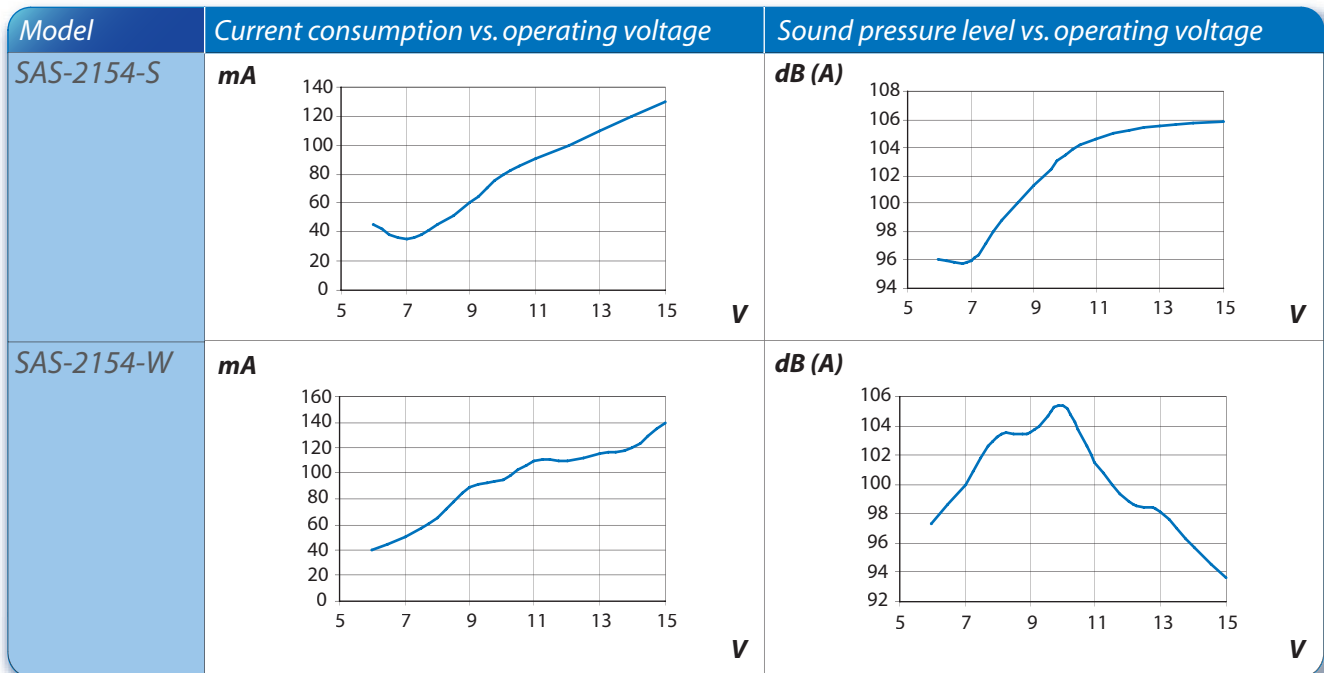


3. Mounting bracket for flat connection with holes (MB3)



Tolerance: +/- 0.2mm

ELECTRICAL PARAMETERS



Note : All measurements are made in free air @1 meter @21°C @35% RH. For measurement purposes, the alarm was mounted with mounting bracket "MB1" on a wooden panel.

PRODUCT CODIFICATION

SAS ↓ Sonitron Alarm Series	T -2154 ↓ Transducer (without electronics)	S ↓ S: sweep W ↓ W: warbler	W ↓ W: wire AWG 24 (12cm) P ↓ P: round pin F ↓ F: fast-on terminal 4.76mm	MB ↓ Mounting Bracket	1 ↓ 1: wall connection 2 ↓ 2: flat connection (with grooves) 3 ↓ 3: flat connection (with holes)	S ↓ Separate mounting bracket
--	---	--	--	------------------------------------	---	--

LIST OF AVAILABLE PRODUCT TYPES

SAS-2154-S-F-MB1 SAS-2154-S-F-MB2 SAS-2154-S-F-MB3	SAS-2154-S-P-MB1 SAS-2154-S-P-MB2 SAS-2154-S-P-MB3	SAS-2154-S-W-MB1 SAS-2154-S-W-MB2 SAS-2154-S-W-MB3
SAS-2154-S-F-MB1S SAS-2154-S-F-MB2S SAS-2154-S-F-MB3S	SAS-2154-S-P-MB1S SAS-2154-S-P-MB2S SAS-2154-S-P-MB3S	SAS-2154-S-W-MB1S SAS-2154-S-W-MB2S SAS-2154-S-W-MB3S
SAS-2154-W-F-MB1 SAS-2154-W-F-MB2 SAS-2154-W-F-MB3	SAS-2154-W-P-MB1 SAS-2154-W-P-MB2 SAS-2154-W-P-MB3	SAS-2154-W-W-MB1 SAS-2154-W-W-MB2 SAS-2154-W-W-MB3
SAS-2154-W-F-MB1S SAS-2154-W-F-MB2S SAS-2154-W-F-MB3S	SAS-2154-W-P-MB1S SAS-2154-W-P-MB2S SAS-2154-W-P-MB3S	SAS-2154-W-W-MB1S SAS-2154-W-W-MB2S SAS-2154-W-W-MB3S
SAST-2154-F-MB1 SAST-2154-F-MB2 SAST-2154-F-MB3	SAST-2154-P-MB1 SAST-2154-P-MB2 SAST-2154-P-MB3	SAST-2154-W-MB1 SAST-2154-W-MB2 SAST-2154-W-MB3
SAST-2154-F-MB1S SAST-2154-F-MB2S SAST-2154-F-MB3S	SAST-2154-P-MB1S SAST-2154-P-MB2S SAST-2154-P-MB3S	SAST-2154-W-MB1S SAST-2154-W-MB2S SAST-2154-W-MB3S