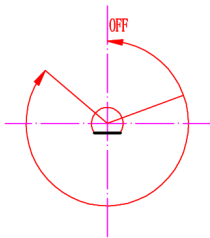
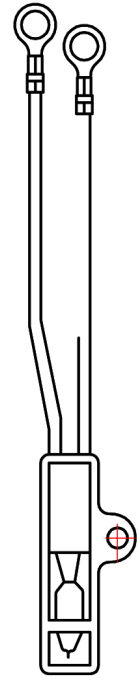
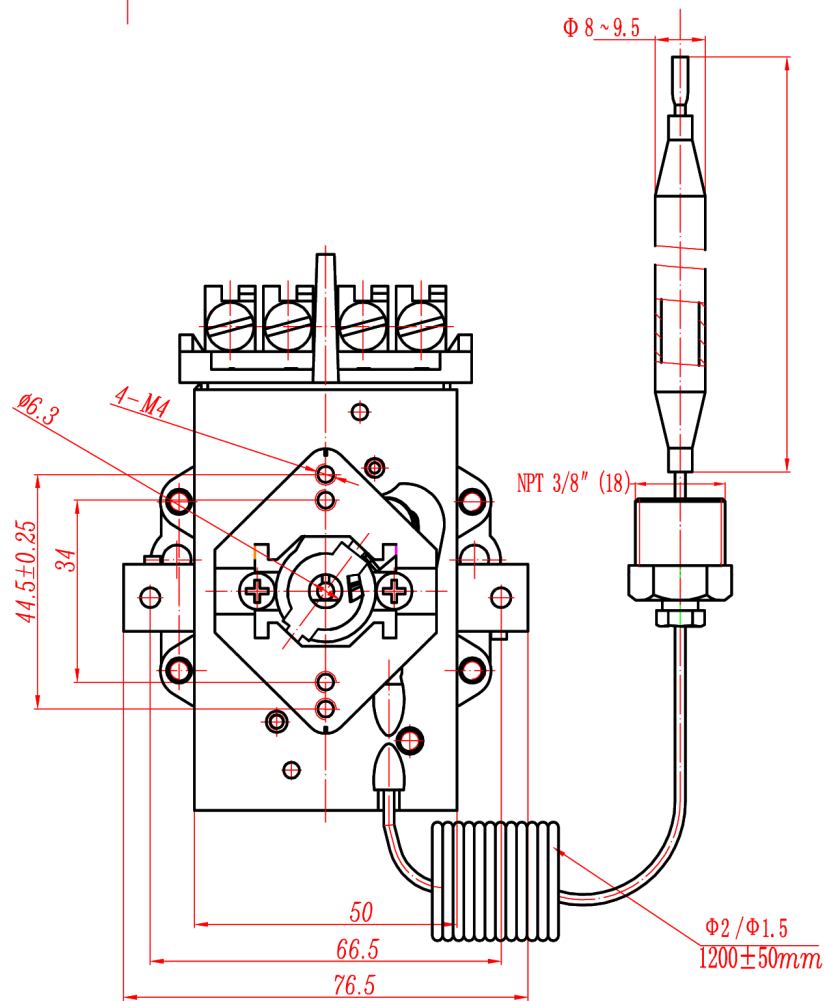
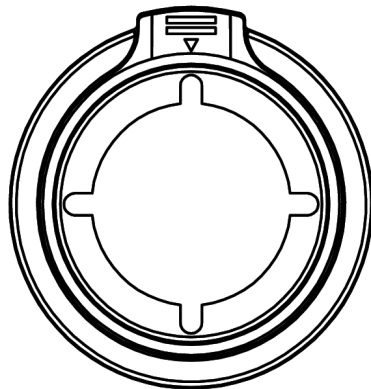
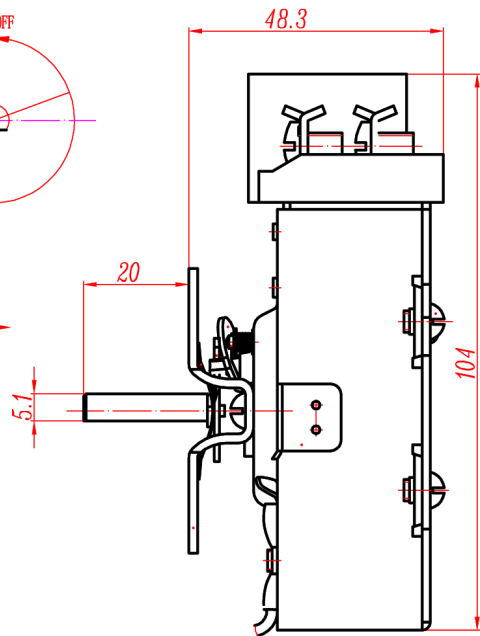


0'913M



A



| | | | |
|------------------------|--------------|---------------------|----------------------|
| Temperature range : | -40°C ~ 40°C | Dielectric Strength | 2500V/1min |
| Difference: | 2 ~ 9°C | | 1K/min |
| Contact resistance: | <50mΩ | | TS ≥ TB |
| Insulation resistance: | ≥100MΩ | Life of product: | 10X10 ⁴ |
| Electric diagram: | | Breaking capacity: | AC 125-277V MAX. 30A |

WK-R24 GL series
WK-R241GL

WK16.0