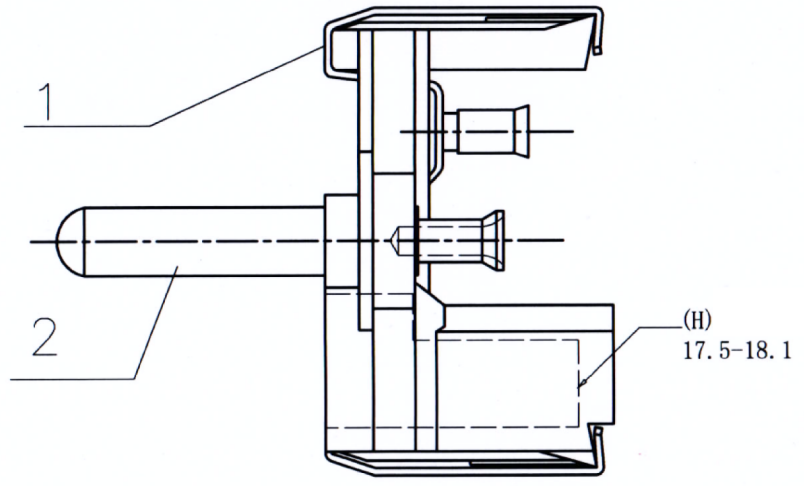
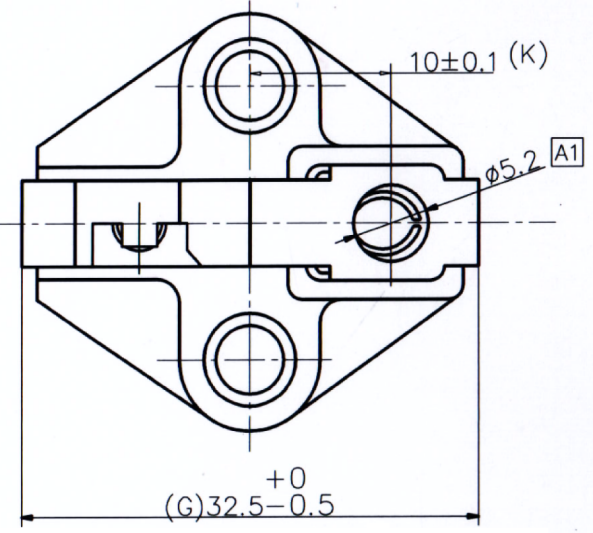
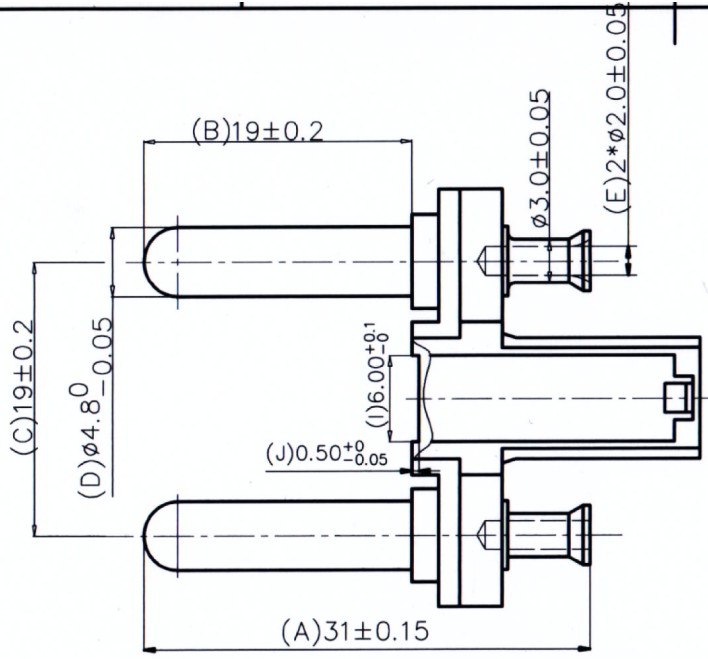


DATE	REV	DESCRIPTION	BY	CHKD



Unless specified on the drawing, tolerances are per the follows: ±0.2		AL403-H			
		CUSTOMER		FINISH	CHECKER
3RD		SCALE	2:1	HOWARD	
		UNIT	MM	2010.10.05	
Material: BRASS; PBT+30%GF		AL403-H BLACK, PBT filler 16A			