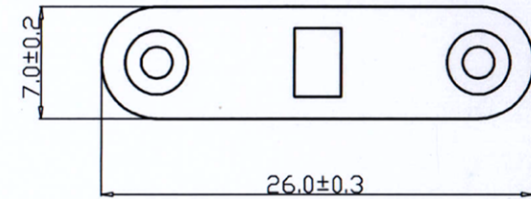
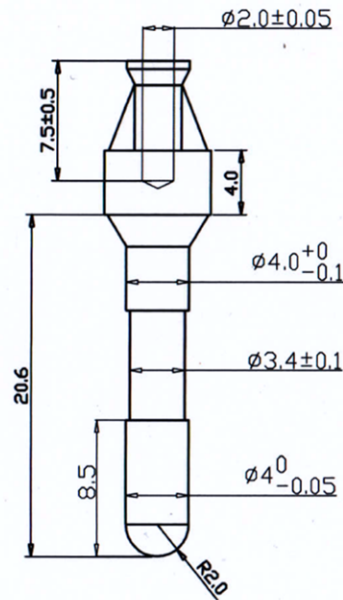
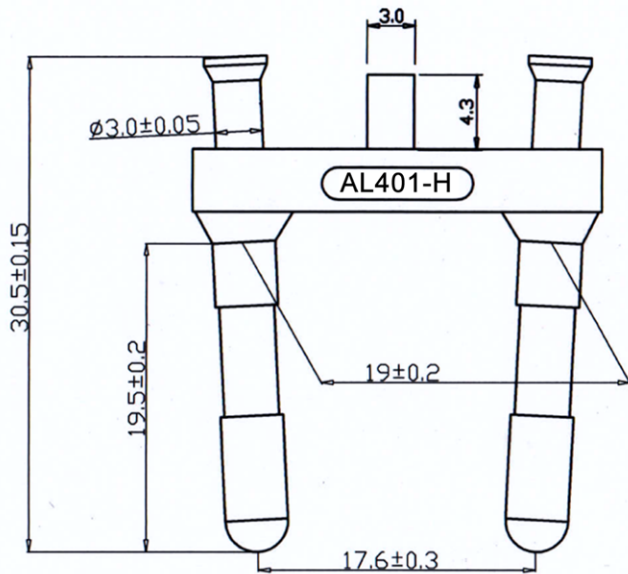


DATE	REV	DESCRIPTION	BY	CHKD



Unless specified on the drawing, tolerances are per the follows:

. ± 1
 .x ± 0.5
 .xx ± 0.2

3RD	
ITEM	AL401-H

CUSTOMER	FINISH	CHECKER	APPROVAL
SCALE	2:1	HOWARD	
UNIT	MM	2011. 12. 30	
		AL401-H black, hollow 2,5A	