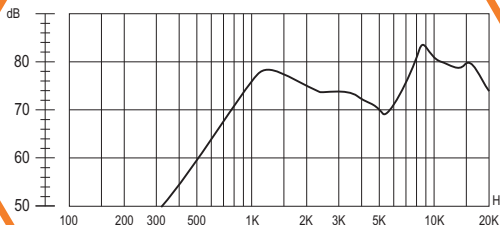
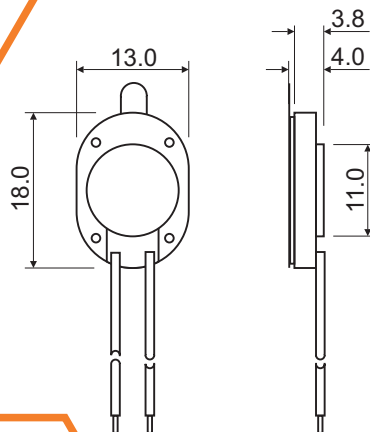
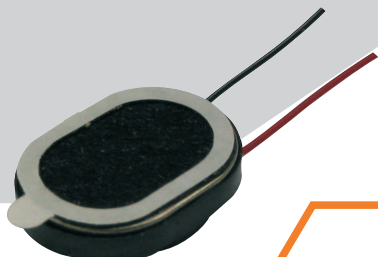


SoniCrest

SPEAKER SOUND GENERATORS

HSB1318A



Dimension

Unit : mm
Tolerance : ±0.3mm

Frequency Response

Normalized to 1W Input Power and
1m Measuring Distance

- **Specification** (all data taken at 25°C unless otherwise specified)

Coil Impedance (Ω)	Rated Power (W)	Maximum Input Power (W)	Resonance Frequency (Hz)	★Frequency Range (Hz)	★Sound Output at 1kHz (dB)	Operating Temperature (°C)	Storage Temperature (°C)
8 ± 20%	0.5	1	1100 ± 15%	1100 ~ 20000	75 ± 3	-40 ~ +70	-40 ~ +70

HSB1318A-8

The specification are only for 8Ω version. Specification for other impedance is available upon request.
★Value normalized to 1W input power and 1m measuring distance.