

SPECIFICATIONS SHEET

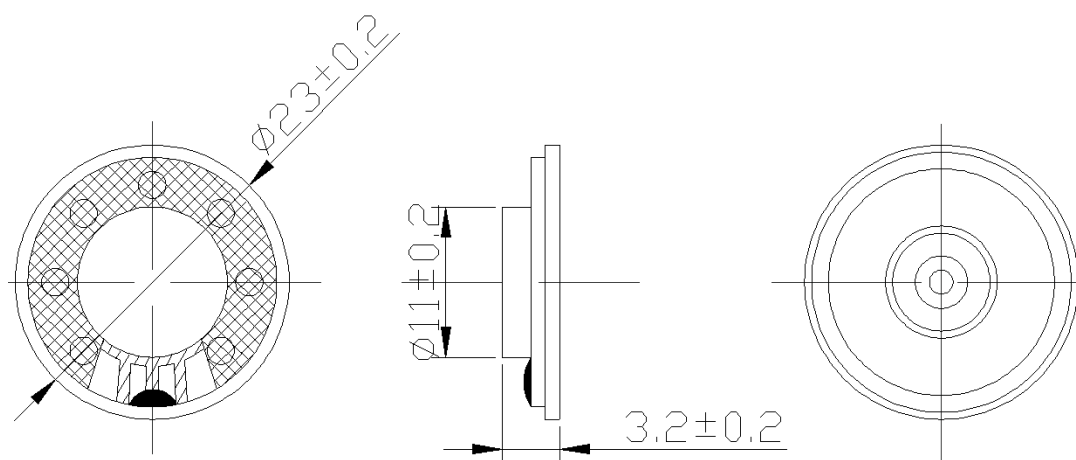
Product Type: Mylar Speaker

Part No. : CMY2303A075AZ

Electrical Specification:

Resonance Frequency	Hz	750 ± 20 %
Response Frequency	Hz	$f_0 \sim 6000$
Impedance	Ω	8 ± 15 %
Sound output (0.1W / 0.1M) (800 , 1000,1200, 1500 Hz in Average)	dB	89 ± 3
Rated Power	W	0.1
Max Power	W	0.2
Buzzer & Rattles		0.894V Sine Wave
Distortion (1kHz)		5 % Max.
Operating Temperature	° C	-30 ~ +70
Storage Temperature	° C	-40 ~ +85
Terminal		Solder Pad
Housing Material		Metal

Mechanical Schematics:



all dimensions are in mm

Copyright by Canopus Electronics (H.K.) Ltd. All rights reserved.

Address: Flat F, F/11, Phase 2, Kwun Tong Industrial Centre, 460-470 Kwun Tong Rd. Hong Kong

TEL. No.: (852) 2806 2812

FAX No.: (852) 2562 2216

E-mail: sales@canopus.com.hk

<http://www.canopus.com.hk>

Revision: 00