

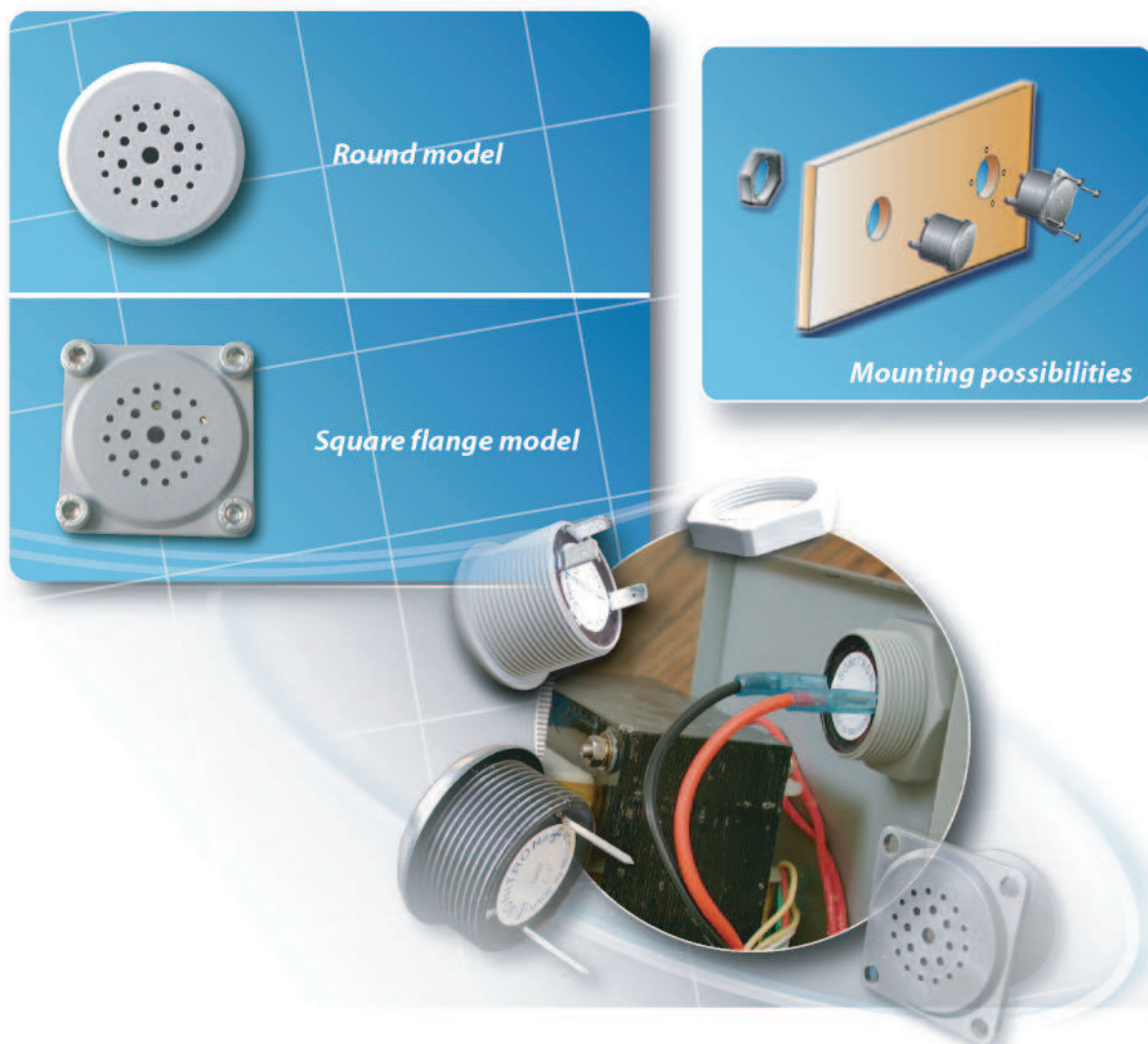
STANDARD SERIES



Since 1977, Sonitron continuously invested in research and development, optimising their standard series which are used today under the most extreme and difficult environmental circumstances, by clients such as the Nato, Airbus, Volvo Penta, Dräger, Knogo,...

During the last 30 years, the standard series have proved to be the prime alarm, giving your equipment an added value. Several thousands of clients all over the world have chosen for the reliability and the excellent quality of piezoceramic buzzers of Sonitron.

These series are strongly recommended in applications that are critical and life time in continuous function is tested. Critical applications are life support systems and equipment used to warn for life danger such as: portable gas detectors, medical monitoring equipment, aircraft cockpit alarm's, car breaking alarm's etc...



INTRODUCTION



The standard series are based on the highest piezo technology and are considered as most robust series for industrial applications. The standard buzzers use a special shaped membrane (curved edge), which is fixed and glued into the housing. They are shock proof, as well as dust and waterproof (IP67). The different standard models cover a wide range of applications, offering functions such as continuous, intermittent, sweep and warbler, with a sound output of more than 100 dB(A).

All standard buzzers are available with various mounting methods, such as PCB or panel mounting and therefore

are equipped with either pins or fast-on terminals. The standard series include military models, extra loud types, as well as models operating at very low voltage consumption (SC 0715 BL at 0.7V) and very low current (SP27 = 4,8 mA at 9V).

ADVANTAGES

- Extremely high sound pressure level with a very clear and penetrating sound output
- Solid state shock proof buzzer
- Dust and waterproof, rated to IP67
- PCB and panel mounting; pin or fast-on terminals
- Very high reliability
- Low power consumption
- Wide operating supply range
- Wide temperature range
- Electronics potted in epoxy
- Small in dimensions

APPLICATIONS

- Alarms
- Agricultural equipment
- Monitoring and test equipment
- Medical equipment
- Military equipment
- Trucks & automobiles
- Boats & airplanes
- Signalling & process control equipment
- Fire detectors
- Vending-machine
- Cockpit alarm
- Surveyance equipment
- Underground
- Traffic control
- Industrial washing machine

SPECIFICATIONS

*All measurements are made @ 1 meter @ 12 Vdc in free air @21°C.

| Model | Function | Operating Voltage ** | | Frequency ± 15% (Hz) | Pulse rate (Hz) | Operating Current (mA) | | SPL (dB(A))* |
|-------------|-----------|----------------------|-------------|-------------------------|--------------------|---------------------------|-------------|-----------------|
| | | min. Vdc | max. Vdc | | | @ V min. | @ V max. | |
| SC 235 A | contin. | 2 | 35 | 2500 | - | 0.3 | 8.6 | 73 |
| SC 235 B | contin. | 2 | 35 | 3500 | - | 0.4 | 8.4 | 87 |
| SCI 535 A1 | multif. | 5 | 35 | 2500 | 1 | 1.4 | 12.5 | 77 |
| SCI 535 B1 | multif. | 5 | 35 | 3500 | 1 | 1.4 | 12.2 | 86 |
| SCI 535 A5 | multif. | 5 | 35 | 2500 | 5 | 1.4 | 12.5 | 77 |
| SCI 535 B5 | multif. | 5 | 35 | 3500 | 5 | 1.4 | 12.2 | 86 |
| SCR 535 A | multif. | 5 | 35 | 2500 | 20 | 1.4 | 12.6 | 82 |
| SCR 535 B | multif. | 5 | 35 | 3500 | 20 | 1.4 | 12.6 | 84 |
| SW 535 B | warbler | 5 | 35 | 3500 | - | 1.3 | 10.6 | 87 |
| SUC 516 A | contin. | 5 | 16 | 2500 | - | 1.8 | 13.3 | 92 |
| SUC 516 B | contin. | 5 | 16 | 3500 | - | 0.8 | 13.0 | 90 |
| SULC 516 B | contin. | 5 | 16 | 3500 | - | 2.0 | 13.3 | 97 |
| SULI 516 B1 | intermit. | 5 | 16 | 3500 | 1 | 1.2 | 11.6 | 94 |
| SULI 516 B5 | intermit. | 5 | 16 | 3500 | 5 | 1.2 | 11.6 | 94 |
| SUM 516 A1 | multif. | 5 | 16 | 2500 | 1 | 1.8 | 11.6 | 93 |
| SUM 516 A5 | multif. | 5 | 16 | 2500 | 5 | 1.8 | 11.6 | 93 |
| SULM 516 B1 | multif. | 5 | 16 | 3500 | 1 | 2.4 | 14.2 | 96 |
| SULM 516 B5 | multif. | 5 | 16 | 3500 | 5 | 2.4 | 14.2 | 96 |
| SC 0715 BL | contin. | 0.7 | 15 | 3500 | - | 0.3 | 13.4 | 98 |

| | |
|-------------------------|--|
| Operating temperature | -40°C to +85°C |
| Storage temperature | -40°C to +85°C |
| Life time (at 21°C) | @12Vdc continuous use min. 2000 hours (expected life time curve in addendum) |
| Case material | ABS (UL rating: 94 HB) |
| Standard colour of case | Grey |
| Terminal material | Tinned brass for both pin terminals and fast-on terminals |
| Supplemental | Reverse voltage protected. Weight: 13g to 24g |

SPECIALS

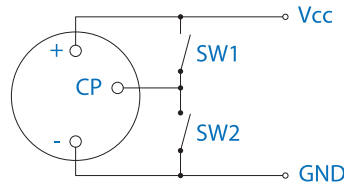
| | | | | | | | | |
|--------------|---------|-----|----|------|---|-----|------|----|
| SP7 | contin. | 0.7 | 15 | 3500 | - | 0.3 | 13.4 | 71 |
| SP27 | contin. | 4 | 16 | 3500 | - | 1.6 | 12 | 94 |
| SCI 535 1700 | multif. | 5 | 35 | 1700 | 1 | 1.4 | 12.2 | 67 |

| | |
|-------------------------|--|
| Operating temperature | -40°C to +85°C |
| Storage temperature | -40°C to +85°C |
| Life time (at 21°C) | @12Vdc continuous use min. 2000 hours (expected life time curve in addendum) |
| Case material | ABS (UL rating: 94 HB) |
| Standard colour of case | Grey (except the SP27 which is black) |
| Terminal material | Tinned brass for both pin terminals and fast-on terminals |
| Supplemental | Reverse voltage protected, except the SP27. Weight: 13g to 24g |

Please note: objects in proximity of the buzzer cause reflections thereby the SPL can be increased or decreased.

MULTI-FUNCTIONALITY OF THE STANDARD SERIES


The standard series offer the client several functions in one single buzzer. The selection of a function is illustrated in the scheme below.



| SW1 | SW2 | SCI 535 | SUM 516 | SULM 516 | SCR 535 |
|--------|--------|--------------|---------|----------|------------|
| open | open | intermittent | | | cricket |
| closed | open | stop | | | stop |
| open | closed | continuous | | | continuous |

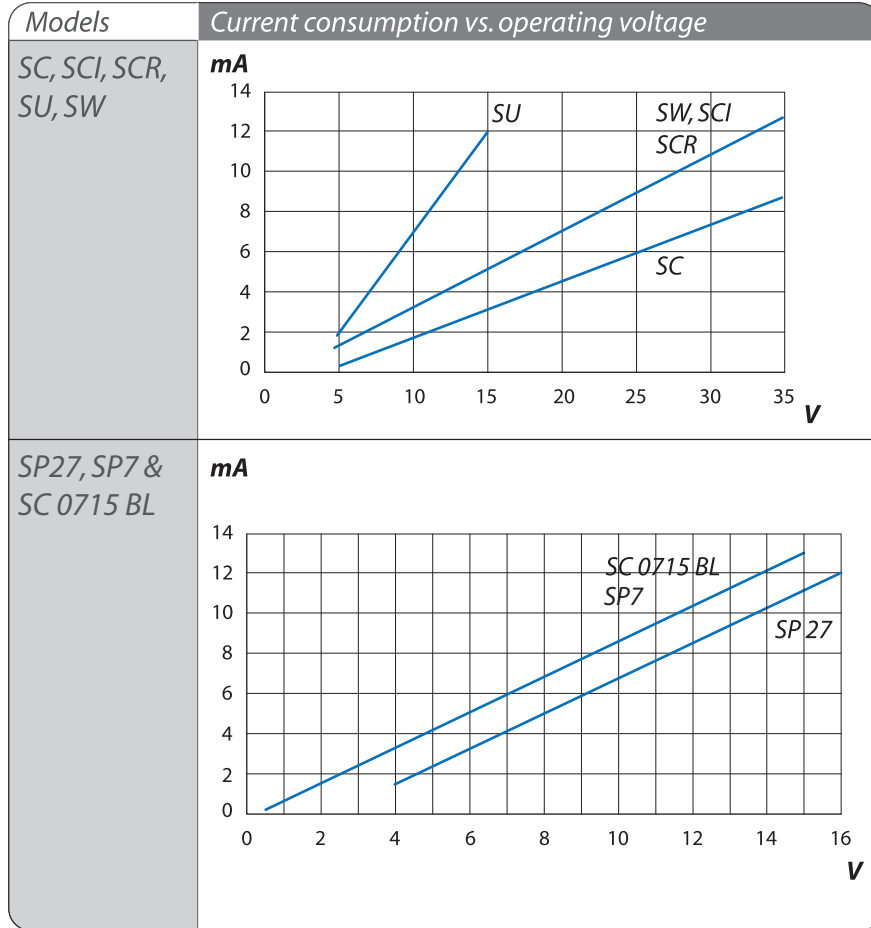
SELECTION GUIDE

The selection of an acoustic signal can be complex. That is why we present below our standard models with their most appropriate application.

| | |
|---|---|
| SC 235 A SCI 535 A1/A5 | General purpose buzzer with medium sound output for soft alarm in industrial and military applications where a high reliability is requested. These buzzers can be used in a wide supply voltage range. |
| SC 235 B SCI 535 B1/B5 | General purpose buzzer with high sound output for low power consumption. Ideally suitable for alarm and industrial sound signals. These models combine high performances and great reliability. Today, the SC 235 B is considered as the most popular type. |
| SW 535 B SCR 535 A/B | A warbler or cricket tone with a special sound effect for warning and alerting devices. |
| SC 0715 BL | Special loud buzzer that functions at very low voltage (0.7 Vdc), going up to 15 Vdc, producing 98 dB(A) @ 1 meter @ 12Vdc. Wide range of applications, including battery powered alarms. |
| SUM 516 A1/A5 | A universal buzzer type with a selection mode of three functions: continuous, intermittent or stop. High sound output for low power consumption and low supply voltages. This type can be used for multiple applications where a soft signal is required and a high reliability is a must. |
| SULM 516 B1/B5 SULC 516 B SUC 516 A/B SULI 516 B1/B5 | A universal buzzer with a selection mode of different functions: continuous, intermittent or stop. High sound output at very low power consumption. It can be used in all alarm and warning signals where performance, power consumption and size are important. The SULI and the SUC models are simplified versions of the SULM 516 B5 that can be used when mode control is not required. |
| SP 7 | The SP7 Buzzer has a closed front to withstand high water pressure. It is extremely waterproof and used in extreme depth under water applications. Standard delivered with gasket (O-ring).  |
| SP 27 | Small sized buzzer to be used in applications where space is limited. |
| SCI 535 1700 | A buzzer for applications where a low frequency is required. |

ELECTRICAL PARAMETERS

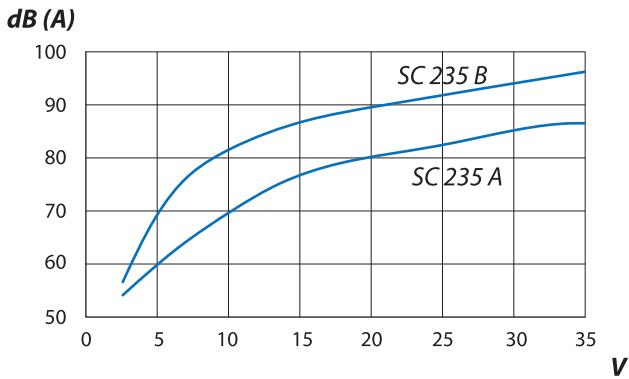
Current consumption vs. operating voltage



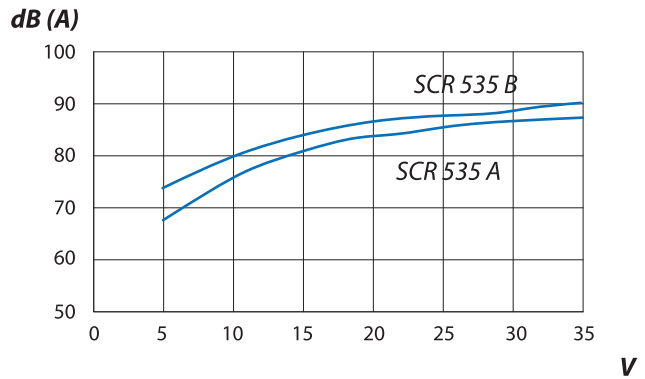
All measurements are made @ 12Vdc @ 1 meter in free air @ 21°C.

Sound pressure level vs. voltage

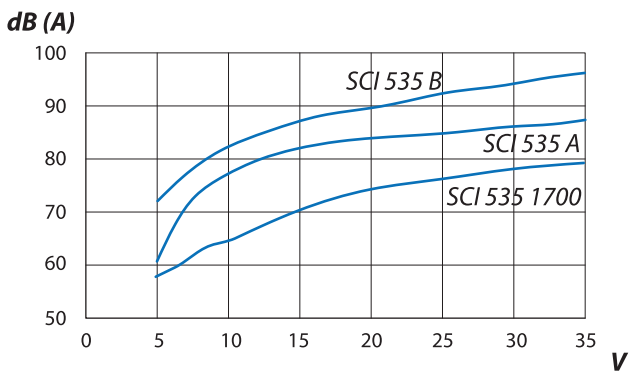
SC 235 A/B



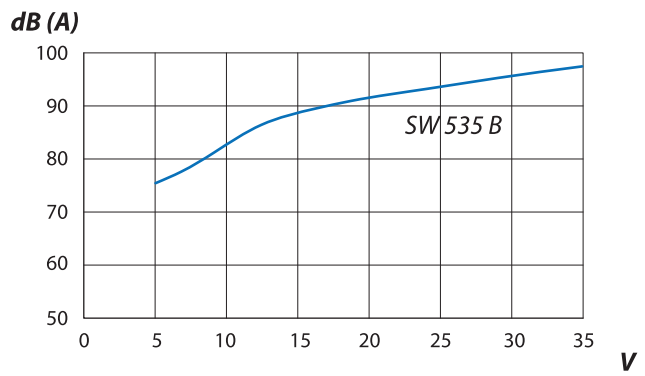
SCR 535 A/B



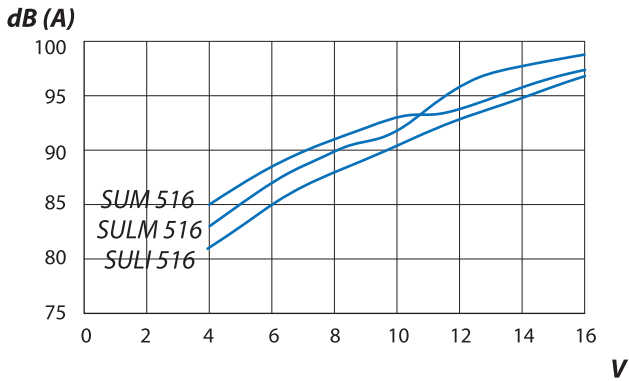
SCI 535 A/B



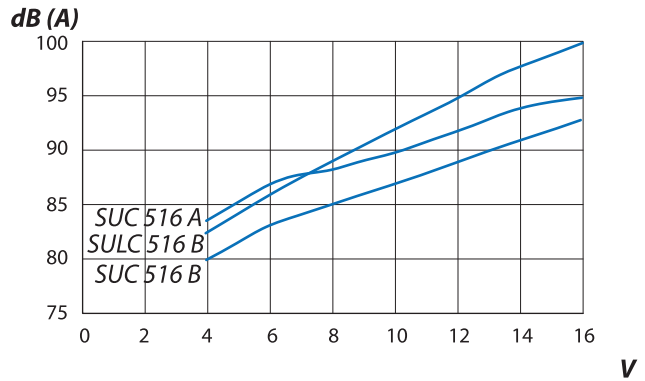
SW 535 B



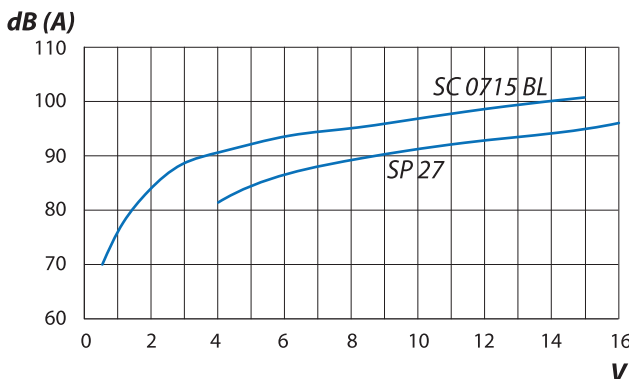
SUM 516 A1/A5, SULM 516 B1/B5, SULI 516 B1/B5



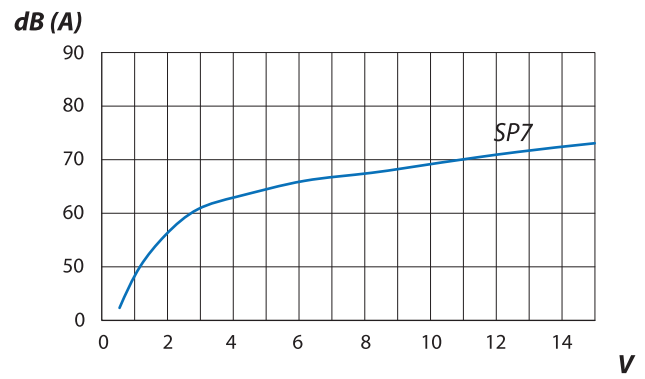
SULC 516 B, SUC 516 A/B



SP 27 & SC 0715 BL



SP7



All measurements are made @ 12Vdc @ 1 meter in free air @ 21°C.

DIMENSIONS (All dimensions are in mm)

| Round flange model | Square flange model | Mounting nut |
|--|---------------------|--------------|
| | | |
| <p>Note: all round and square flange models are available with all kinds of pin terminals.</p> | | |

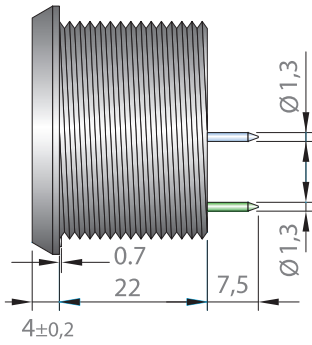
Models (2 pins) SC, SW (3 pins) SCR, SCI

| Pins | 'fast-on' F | 'fast-on' F2 |
|--|-------------|--------------|
| | | |
| <p>Note: control pin (CP) only with multifunction buzzers.</p> | | |

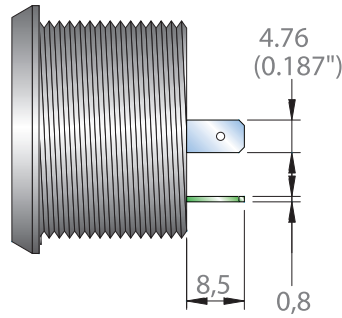
*0.8x2.3 Positioning lock

Models (2 pins) SUC, SULC, SULI (3 pins) SUM, SULM

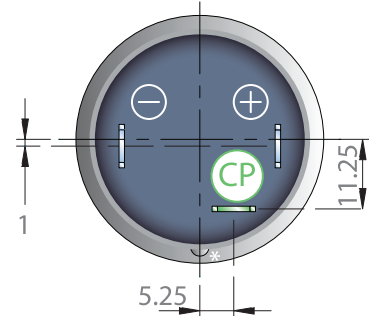
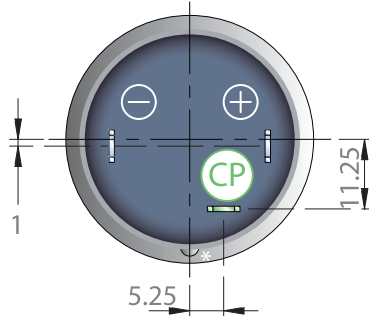
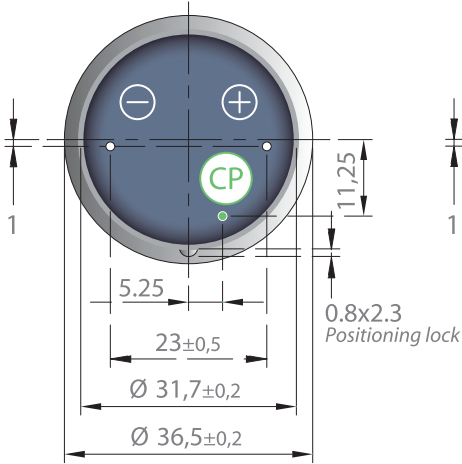
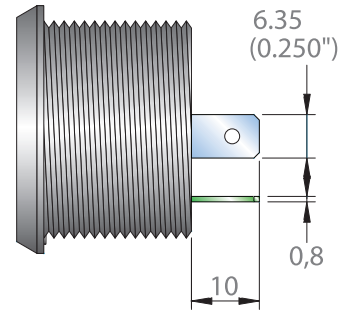
Pins



'fast-on' F

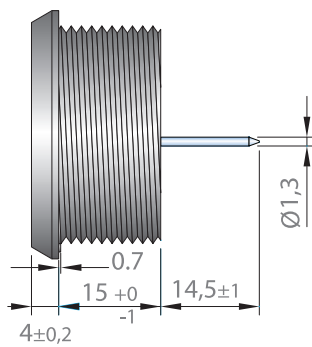


'fast-on' F2

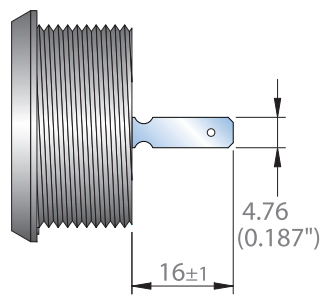


Model SP27

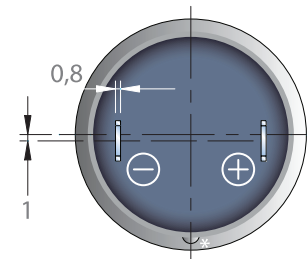
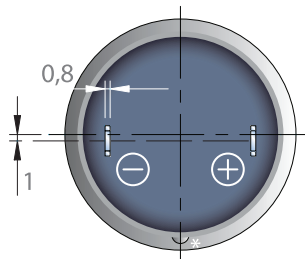
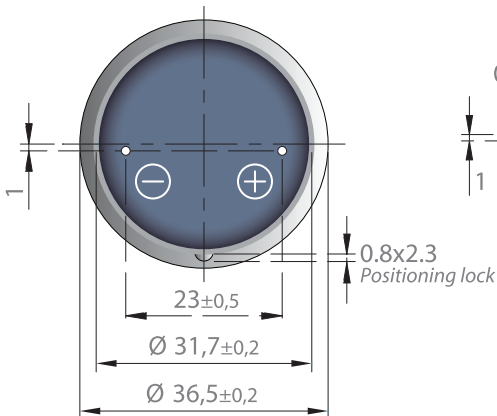
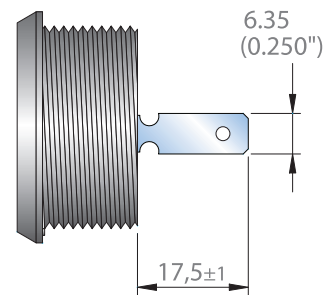
Pins



'fast-on' F



'fast-on' F2



*0.8x2.3 Positioning lock

PRODUCT OPTIONS STANDARD SERIES

| Option Code | example | Description |
|-----------------|---------------|---|
| W100 | SCO715BL-W100 | With 2 wires: length 10cm (instead of 2 pins) |
| W100 | SCI535B5-W100 | With 3 wires: length 10cm (instead of 3 pins) |
| W150 | SCO715BL-W150 | With 2 wires: length 15cm (instead of 2 pins) |
| W300 | SCO715BL-W300 | With 2 wires: length 30cm (instead of 2 pins) |
| ACR | SC235A-ACR | Acryl coating: The protective coating gives a complementary protection against smog. All standard series buzzers are perfectly waterproof (IP67) without the mentioned coating. |
| Gasket (O-ring) | GASKET | Rubber sealing ring for waterproof assembly. SP7 is inclusive O-ring. For 100% watertight assembly the O-ring together with loctite 5331 can be used. |

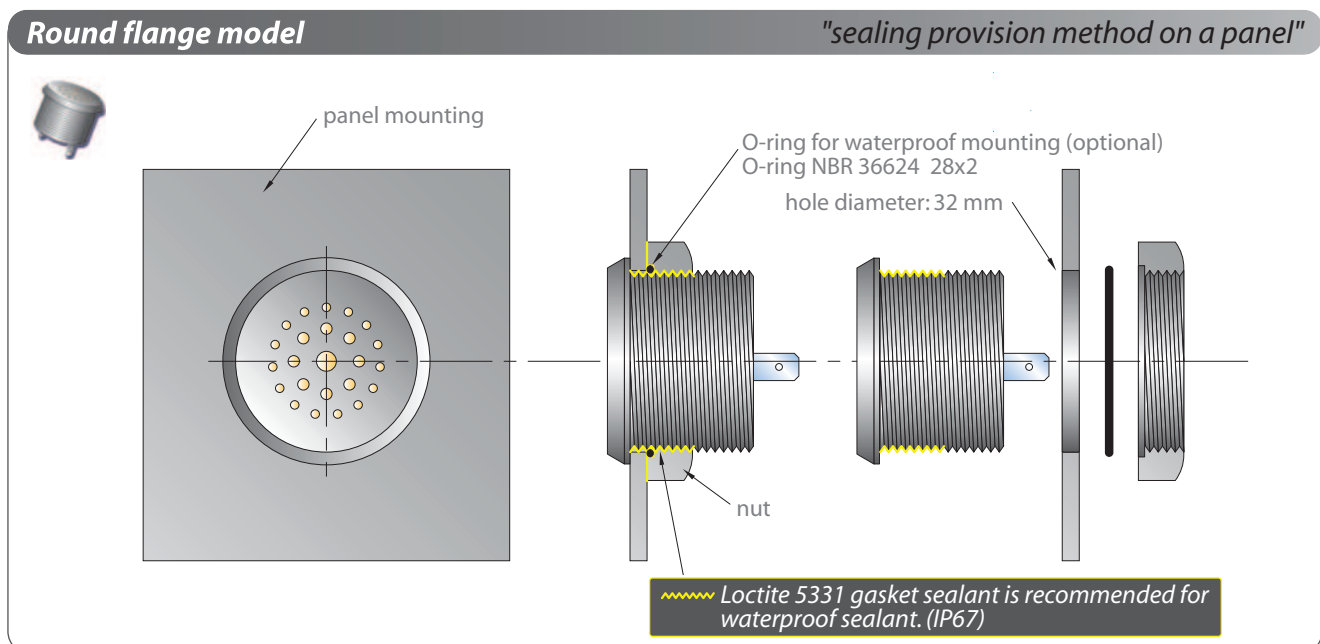
To order an option add the suffix to the model number of the standard series.

NUT All standard buzzers are delivered with a mounting nut.

MOUNTING GUIDELINES

Printed circuit-board: • by soldering the terminals.

Front panel mounting: • Panel mounting with a plastic nut.
 the buzzers can be mounted in panels up to 14 mm thickness (SP27 max. 7 mm). They are locked with a locking pin (dimensions 0.8x2.3mm) and secured to the panel with a plastic nut. Foresee a hole of diameter 32 mm (1.14"). Maximum torque on plastic nut: 6 Nm (wrench size 38mm). The step of the thread is 1.5 mm (M32x1.5).

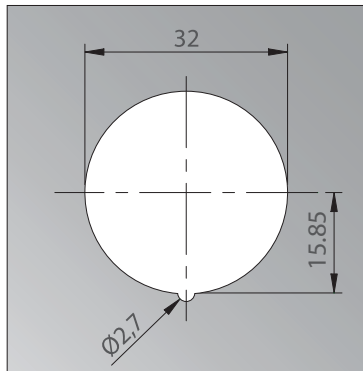
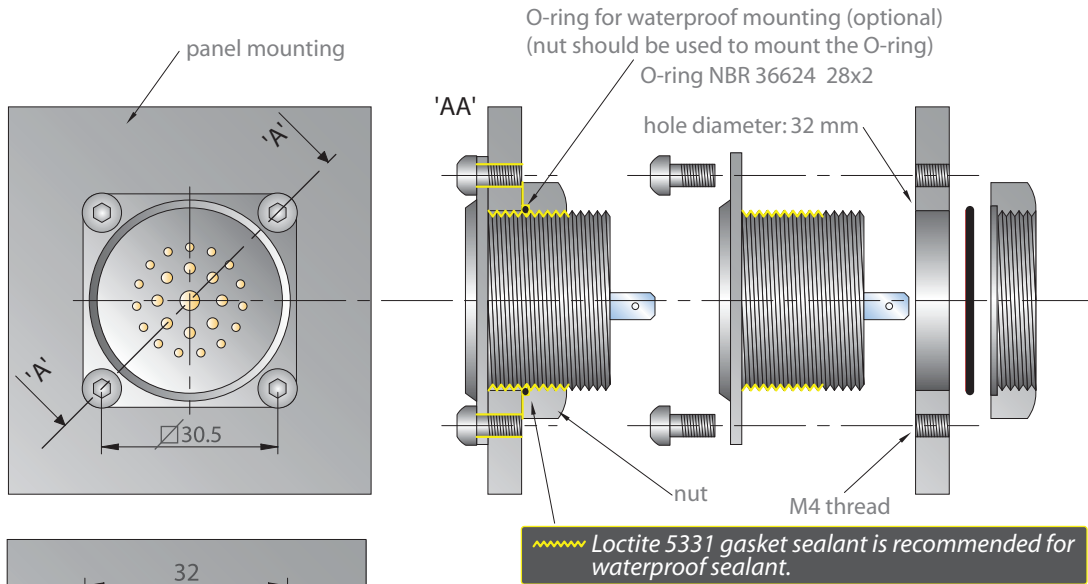


Square flange model

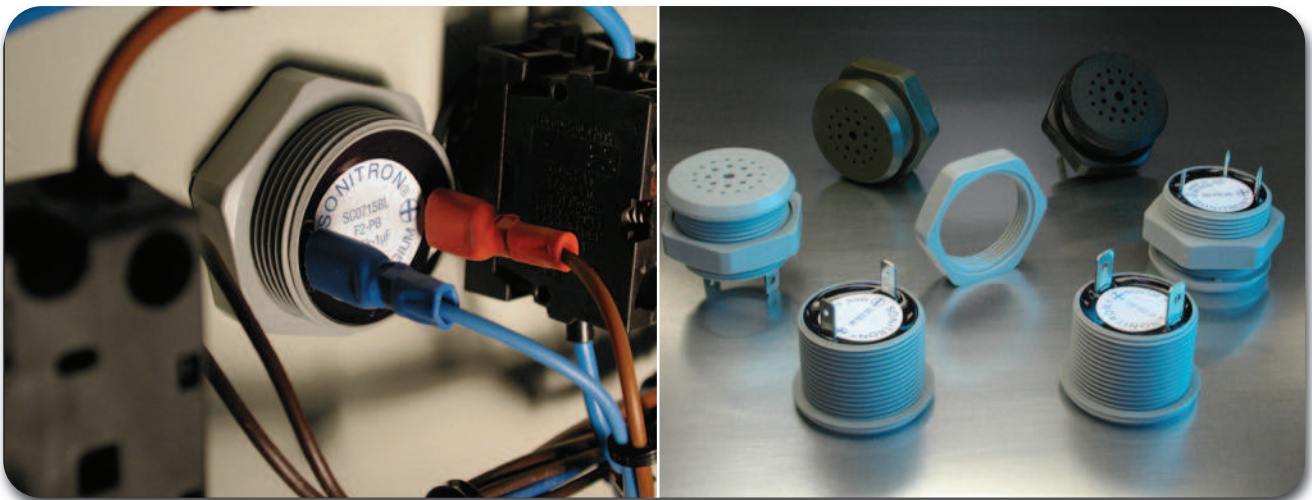
"sealing provision method on a panel"



Panel mounting square flange model with screws (M4).
 The square flange model can be mounted with 4x M4 screws instead of using the plastic nut. for waterproof mounting of the square flange model the nut must also be screwed on together with the optional O-ring.



Hole dimensions (recommended)



PRODUCT CODIFICATION

| | | | | | | | | |
|---------------|---|-------------------------|-------------------------|---|-----------------------------------|---|---|--|
| S | U(L)M CI W CR C U(L)C ULI | 5 0.7* | 16 15 35 | A B | 1 5 | — | F** F2 | M*** S MS*** |
| ↓ Sonitron | ↓ | ↓ Min. voltage (Vdc) | ↓ Max. voltage (Vdc) | ↓ A: freq. 2500 Hz B: freq. 3500 Hz | ↓ Pulsation 1=1 Hz 5=5Hz | | ↓ 'fast-on' terminals F: 4.76 mm F2: 6.35 mm | ↓ M: military S: Square front MS: military & square front |
| | C: continuous U: universal W: warbler I: intermittent CR: cricket & continue M: multifunctional L: loud | | | | | | | |

*0.7: 0.7 Vdc minimum voltage of the SC 0715 BL

F** If no terminal specification, the model is standard delivered with round pins, diameter 1.5 mm. Fast-on terminals are available in 2 dimensions: F= 4,76 mm (0,187 inch) or F2 = 6,35 mm (0,250 inch).

M*** Military norm MIL STD 202

LIST OF AVAILABLE PRODUCT TYPES

| | | | | | |
|--|--|--|--|--|--|
| SC 235 A SC 235 A F SC 235 A F2 SC 235 A F M SC 235 A F2 M SC 235 A S SC 235 A F S SC 235 A F2 S SC 235 A F MS SC 235 A F2 MS | SC 235 B SC 235 B F SC 235 B F2 SC 235 B F M SC 235 B F2 M SC 235 B S SC 235 B F S SC 235 B F2 S SC 235 B F MS SC 235 B F2 MS | SC 0715 BL SC 0715 BL F SC 0715 BL F2 SC 0715 BL F M SC 0715 BL F2 M SC 0715 BL S SC 0715 BL F S SC 0715 BL F2 S SC 0715 BL F MS SC 0715 BL F2 MS | SP27 SP27 F SP27 F2 SP27 F M SP27 F2 M SP27 S SP27 F S SP27 F2 S SP27 F MS SP27 F2 MS | SCI 535 A1 SCI 535 A1 F SCI 535 A1 F2 SCI 535 A1 F M SCI 535 A1 F2 M SCI 535 A1 S SCI 535 A1 F S SCI 535 A1 F2 S SCI 535 A1 F MS SCI 535 A1 F2 MS SCI 535 1700 | SCI 535 A5 SCI 535 A5 F SCI 535 A5 F2 SCI 535 A5 F M SCI 535 A5 F2 M SCI 535 A5 S SCI 535 A5 F S SCI 535 A5 F2 S SCI 535 A5 F MS SCI 535 A5 F2 MS |
| SCI 535 B1 SCI 535 B1 F SCI 535 B1 F2 SCI 535 B1 F M SCI 535 B1 F2 M SCI 535 B1 S SCI 535 B1 F S SCI 535 B1 F2 S SCI 535 B1 F MS SCI 535 B1 F2 MS | SCI 535 B5 SCI 535 B5 F SCI 535 B5 F2 SCI 535 B5 F M SCI 535 B5 F2 M SCI 535 B5 S SCI 535 B5 F S SCI 535 B5 F2 S SCI 535 B5 F MS SCI 535 B5 F2 MS | SCR 535 A SCR 535 A F SCR 535 A F2 SCR 535 A F M SCR 535 A F2 M SCR 535 A S SCR 535 A F S SCR 535 A F2 S SCR 535 A F MS SCR 535 A F2 MS | SCR 535 B SCR 535 B F SCR 535 B F2 SCR 535 B F M SCR 535 B F2 M SCR 535 B S SCR 535 B F S SCR 535 B F2 S SCR 535 B F MS SCR 535 B F2 MS | SUC 516 A SUC 516 A F SUC 516 A F2 SUC 516 A F M SUC 516 A F2 M SUC 516 A S SUC 516 A F S SUC 516 A F2 S SUC 516 A F MS SUC 516 A F2 MS | SUC 516 B SUC 516 B F SUC 516 B F2 SUC 516 B F M SUC 516 B F2 M SUC 516 B S SUC 516 B F S SUC 516 B F2 S SUC 516 B F MS SUC 516 B F2 MS |
| SULC 516 B SULC 516 B F SULC 516 B F2 SULC 516 B F M SULC 516 B F2 M SULC 516 B S SULC 516 B F S SULC 516 B F2 S SULC 516 B F MS SULC 516 B F2 MS | SUM 516 A1 SUM 516 A1 F SUM 516 A1 F2 SUM 516 A1 F M SUM 516 A1 F2 M SUM 516 A1 S SUM 516 A1 F S SUM 516 A1 F2 S SUM 516 A1 F MS SUM 516 A1 F2 MS | SUM 516 A5 SUM 516 A5 F SUM 516 A5 F2 SUM 516 A5 F M SUM 516 A5 F2 M SUM 516 A5 S SUM 516 A5 F S SUM 516 A5 F2 S SUM 516 A5 F MS SUM 516 A5 F2 MS | SULI 516 B1 SULI 516 B1 F SULI 516 B1 F2 SULI 516 B1 F M SULI 516 B1 F2 M SULI 516 B1 S SULI 516 B1 F S SULI 516 B1 F2 S SULI 516 B1 F MS SULI 516 B1 F2 MS | SULI 516 B5 SULI 516 B5 F SULI 516 B5 F2 SULI 516 B5 F M SULI 516 B5 F2 M SULI 516 B5 S SULI 516 B5 F S SULI 516 B5 F2 S SULI 516 B5 F MS SULI 516 B5 F2 MS | SULM 516 B1 SULM 516 B1 F SULM 516 B1 F2 SULM 516 B1 F M SULM 516 B1 F2 M SULM 516 B1 S SULM 516 B1 F S SULM 516 B1 F2 S SULM 516 B1 F MS SULM 516 B1 F2 MS |
| SULM 516 B5 SULM 516 B5 F SULM 516 B5 F2 SULM 516 B5 F M SULM 516 B5 F2 M SULM 516 B5 S SULM 516 B5 F S SULM 516 B5 F2 S SULM 516 B5 F MS SULM 516 B5 F2 MS | SW 535 B SW 535 B F SW 535 B F2 SW 535 B F M SW 535 B F2 M SW 535 B S SW 535 B F S SW 535 B F2 S SW 535 B F MS SW 535 B F2 MS | SP 7 SP 7 F SP 7 F2 SP 7 M SP 7 M SP 7 S SP 7 F S SP 7 F2 S SP 7 F MS SP 7 F2 MS | | | |

MILITARY MODELS



Our patented bended edge membranes permit us to realize military applications. We deliver since more than 30 years piezo acoustic components on military specifications.

Our products are used in portable radio's, de-icing detection, airplane cockpit alarms...

We are since more than 20 years Navo approved for several models.

We warned in time at critical moments...

Military test conditions MIL STD202

The military models guarantee a quality superior to the classic models. On top of the standard specifications, the military models are tested as follows:

| Test | Method MIL STD202 | Test conditions |
|-------------------|-------------------|----------------------|
| Thermal Shock | 107 | A |
| Humidity | 103 | B |
| Salt Spray | 101 | A |
| Shock | 213 B | H |
| Vibration | 201 A | none |
| Terminal strength | 211 | A (10 Lbs, 2 cycles) |

The different tests are summarised below. The detailed procedures are available upon special request.

Thermal shock test 107 method A: The thermal shock test is performed to determine the resistance of a part to exposures at extremes of high and low temperatures, and to the shocks of alternate exposures to these extremes, such as would be experienced when equipment or parts are transferred to and from heated shelters in arctic areas. The products are exposed to a flow of air at different temperatures for at least 5 cycles.

Humidity test 103 method B: This test is performed to evaluate the properties of materials used in components as they are influenced by the absorption and diffusion of moisture and moisture vapour.

This accelerated environmental test is accomplished by the continuous exposure of the specimen to high relative humidity at an elevated temperature during 96 hours.

Salt spray test 101 method A: The purpose of this test is to define if the product is resistant to salt spray. This accelerated laboratory corrosion test simulates the effects of seacoast atmospheres on metals. The coating of the product is subjected to a fine mist of salt solution during 96 hours.

Shock test 213B method H: The shock test (Sawtooth pulse during 6Ms) is conducted for the purpose of determining the suitability of component parts and subassemblies of electrical and electronic components when subjected to shocks such as those which may be expected as a result of rough handling, transportation and military operations. The design of the shock machine is not specified, but shock pulse waveforms are specified with tolerances.

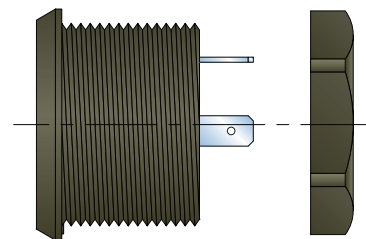
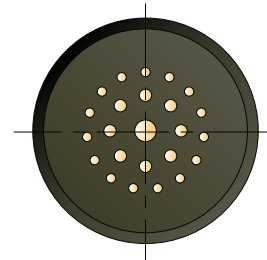
Vibration test 201 A: The vibration test is used to determine the effects on component parts of vibration within the predominant frequency ranges and magnitudes that may be encountered during the field service. The specimen is mounted on a special apparatus and subjected to a simple harmonic motion.

Thermal strength test 211 method A: This test is performed to determine if the design of the product and its method of attachment can withstand one or more of the applicable mechanical stresses to which they will be subjected during installation or disassembly in equipment. This pull of tension test is gradually applied and then maintained for a period of 5 to 10 seconds.

NATO approved models

All standard models can be delivered in a military version. All military models have flame retardant ABS housings in olive green, fast-on terminals and the membrane is foreseen with a special protective coating.

| Ref. Nr.: | NSN (NATO stock number) | Type |
|---------------------|-------------------------|------|
| SC 235 A | 6350-13-113-8057 | 4 |
| SC 235 B | 6350-13-112-5782 | |
| SC 235 AF2 BLACK | 6350-13-116-5836 | 1 |
| SC 235 AF2 | 6350-13-120-1787 | 4 |
| SC 235 BF2 | 6350-13-120-1788 | |
| SC 235 AFM | 6350-13-116-8221 | 4 |
| SC 235 A-M | 6350-13-118-3500 | 1 |
| SC 235 BF | 6350-13-113-4698 | 4 |
| SC 235 B FM | 6350-13-113-4504 | |
| SUM 516 A | 6350-13-113-6319 | 4 |
| SULM 516 B1 FM | 6350-13-113-6108 | 4 |
| SULM 516 B5 | 6350-13-120-6689 | 1 |
| SULM 516 B5-F | 6350-13-118-9573 | |
| SCI 535 A1-F2 | 6350-13-119-8080 | 4 |
| SCI 535A1-M Green | 6350-13-118-1179 | 4 |
| SCI 535 A1 FM | 6350-13-114-1876 | 4 |
| SCI 535 B1 FM | 6350-13-113-6092 | 4 |
| SCI 535 B1 | 6350-13-114-8156 | 1 |
| SCI535 B1-Black | 6350-13-1205625 | 1 |
| SCI 535 B1-F2 | 6350-13-116-9171 | 1 |
| SCI 535 B5 | 6350-13-113-1553 | |
| SCI 535 B5-F-48X05N | 6350-13-118-3502 | 4 |
| SCI 535 B5-F | 6350-13-1206614 | 1 |
| SCI 535 B5-FM | 6350-13-113-1553 | 4 |
| SCR 535 A | 6350-13-113-2787 | 4 |
| SCI 535 A1-F2 | 6350-13-119-8080 | |
| SCR 535 B | 6350-13-115-0297 | 4 |
| SCR 535 B FM | 6350-13-114-1875 | 1 |
| SC 0715 BLF | 6350-13-115-6688 | 1 |
| SC 0715 BL-F2-M | 6350-13-116-8321 | 4 |
| SC 0715 BL | 6350-13-118-6691 | 4 |
| SMA-21B-P17,5 | 6350-13-114-5188 | 4 |
| SMA-21B-P10 | 6350-13-115-6615 | 1 |
| SMAT-21 | 5965-13-117-8832 | 4 |
| SMA-21-P17.5 | 6350-13-1207739 | 1 |
| SMA-21L-P17.5 | 6350-13-118-8899 | 4 |
| SMA-24A-P10 | 6350-14-501-0602 | |
| SMA-30-P20.32 | 6350-13-119-4461 | 4 |
| SW 535 B | 6350-13-119-7615 | 1 |
| SW 535B-M | 6350-13-118-2999 | 4 |
| SP27-F-M | 6350-13-118-4720 | 2 |



MODELS ON REQUEST

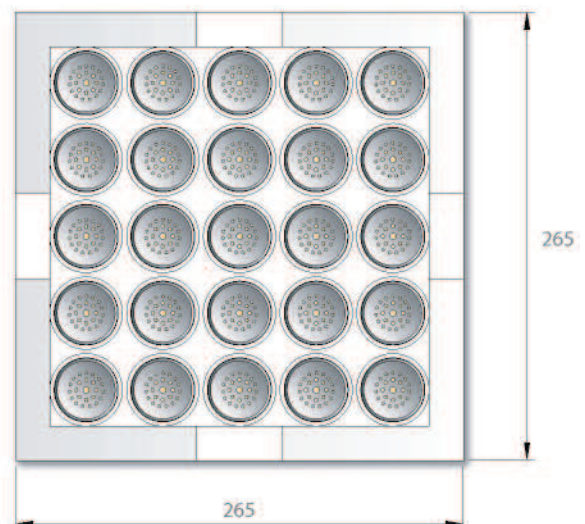
The standard buzzers can be modified upon request in order to deliver a product meeting the requirements of the customer's application.

- Upon special request all standard models are also available in GREY, BLACK or GREEN (khaki). Please add GREY, BLACK or GREEN to the part number if the required colour is different from the one specified as standard.
- For applications under aggressive humid conditions, Sonitron also deliver a special model in which the piezo element is covered with a protective coating. Add ACR to the part number. The protective coating gives a complementary assurance against smog; all standard models are perfectly waterproof (IP67) without the mentioned coating.
- Different pin terminal lengths, straight or bent, can be custom made.
- The frequency, indicated in the present catalogue, has an accuracy of $\pm 15\%$. Standard buzzers with an improved frequency accuracy (up to $\pm 2\%$) are available upon special customer request.

For more information mail to: support@sonitron.be

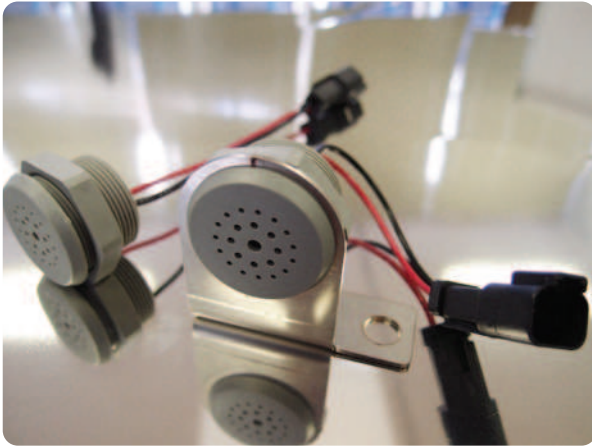
PACKAGING

All standard buzzers are packed in polystyrene boxes of 26.5 x 26.5 cm ; 25 pieces per box.



SVC Series Vehicle Control

STANDARD SERIES



The **Sonitron Vehicle Control** standard series are a total solution for vehicle move control. The construction is based on the standard series with a long life time and ruggedized housing.

A stainless steel mounting bracket, solid connection wires and industrial - automotive rugged connector secures all the mechanical strength you need. This total package is designed for direct use on 12V or 24V car battery with an internal trigger function to avoid unwanted activation.

ADVANTAGES & APPLICATIONS

ADVANTAGES :

- Up to 40Vdc
- Designed for battery applications 12V/24V
- Life time > 2000 hours (@1m@12Vdc in free air @21°C)
- Low power consumption
- Wrong polarity protected
- SS-304 mounting bracket
- Deutch Connector & 16 AWG wires
- Trigger-on function (7.5V or 15.75V)
- IP67 Dust and Waterproof

- Temperature range -40°C to +85°C
- Shock protection during displacement

APPLICATIONS :

- Total Vehicle Control for several applications
- Agricultural machinery
- Hoisting crane machinery
- Mining equipment

SPECIFICATIONS



**All measurements are made @ 1 meter @ 12Vdc in free air @ 21°C*

| Model | Function | DC Battery | Activation Trigger-on | Frequency +/- 15% (Hz) | Pulse Rate (Hz) | SPL dB(A) @1m* |
|---------|-----------|------------|-----------------------|------------------------|-----------------|----------------|
| SVC 7C | Contin. | 12V | 7.5V | 2500 | - | 90 |
| SVC 7I | Intermit. | 12V | 7.5V | 2500 | 1 | 90 |
| SVC 15C | Contin. | 24V | 15.75V | 2500 | - | 90 |
| SVC 15I | Intermit. | 24V | 15.75V | 2500 | 1 | 90 |

| | |
|---|--|
| Operating temperature | -40°C to +85°C |
| Storage temperature | -40°C to +85°C |
| Life Time (@21°C) | @12Vdc continuous use min. 2000 hours (expected life time curve see catalogue p 138) |
| Case Material | ABS (UL rating: 94HB) |
| Standard colour of case | Grey |
| Weight | 64g |
| Max Voltage | 40Vdc |
| current consumption (range 7.5Vdc to 40Vdc) | 15mA |

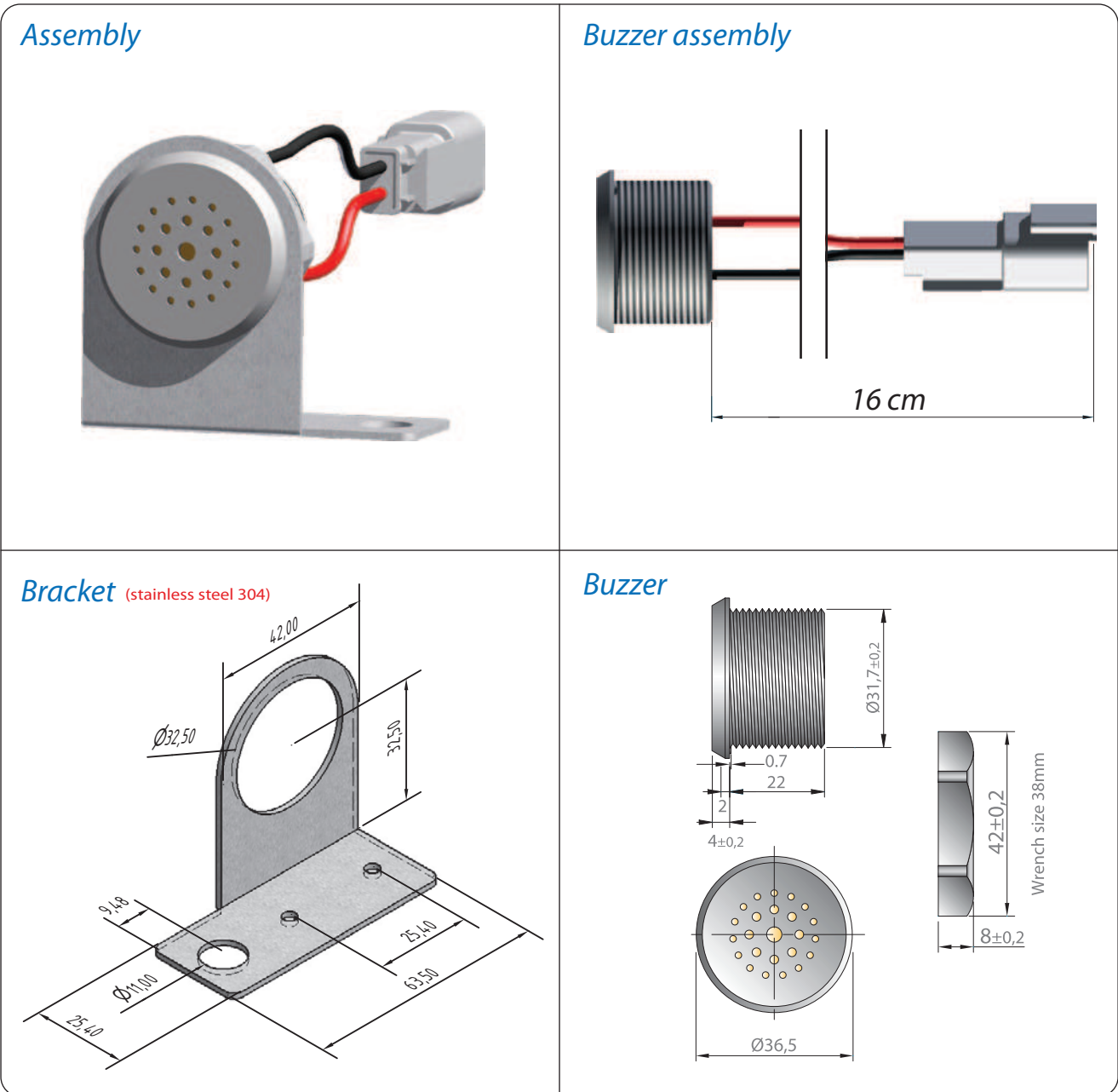
ELECTRICAL PARAMETERS

The buzzer is designed to produce a sound output of 90 dB(A) at 1 meter and can be used in applications up to 40Vdc.

The buzzer only starts when the trigger DC voltage has been reached.

- The SVC 7I and SVC 7C are starting sounding from 7.5 V dc.
- The SVC 15I and SVC 15C are starting sounding from 15.75V dc.

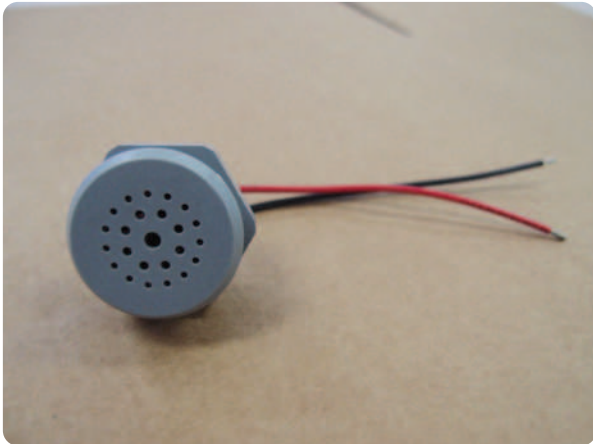
DIMENSIONS (All dimensions are in mm)



LIST OF AVAILABLE PRODUCT TYPES

| | |
|--------|---------|
| SVC 7C | SVC 15C |
| SVC 7I | SVC 15I |

SRA Series Robust Applications STANDARD SERIES



The **Sonitron Robust Application** standard series are an important extension of the Standard series.

A superior Life Time has been obtained with a very large DC voltage range from 5Vdc up to 80Vdc. Equipped with 16 AWG wires this buzzer can be used in any harsh industrial environment.

Sonitron expanded with this series a wide application field and strong reliability, especially recommended in critical applications and life support systems.

ADVANTAGES & APPLICATIONS

ADVANTAGES :

- Up to 80Vdc
- Solid state shock proof buzzer
- Life time > 2000 hours
- Very low power consumption (typical 15mA@12Vdc)
- Wrong polarity protected
- Panel mounting, O-ring included
- 16 AWG wire connections (14cm)
- High reliability

- IP67, Dust and waterproof
- Temperature range -40°C to +85°C

APPLICATIONS :

- Industrial
- Automotive Vehicles
- Process & Alarm equipment
- Security & Burglar alarms

SPECIFICATIONS



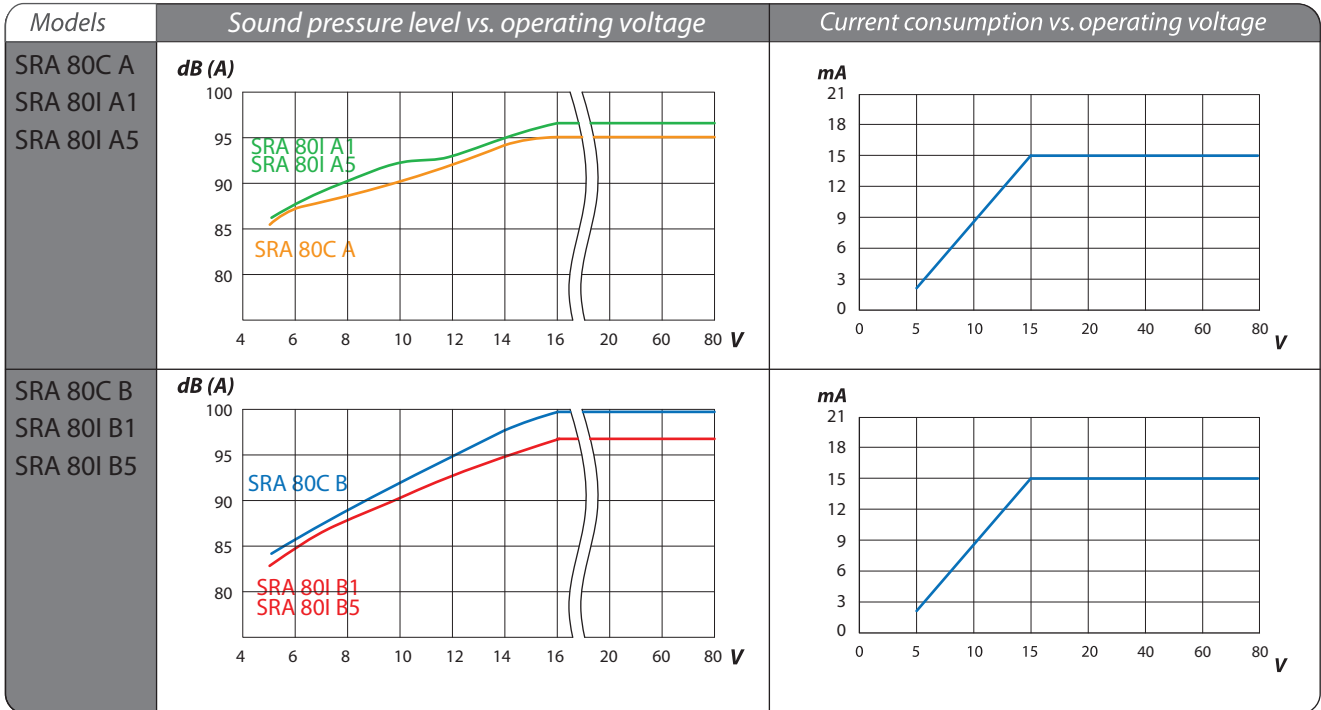
**All measurements are made @ 1 meter @ 12Vdc in free air @ 21°C*

| Model | Function | MIN Vdc | MAX Vdc | Frequency +/- 15% (Hz) | Pulse Rate (Hz) | SPL dB(A) +/-4dB @1m@12Vdc* |
|------------|-----------|---------|---------|------------------------|-----------------|-----------------------------|
| SRA 80C A | Contin. | 5V | 80V | 2500 | - | 93 |
| SRA 80I A1 | Intermit. | 5V | 80V | 2500 | 1 | 92 |
| SRA 80I A5 | Intermit. | 5V | 80V | 2500 | 5 | 92 |
| SRA 80C B | Contin. | 5V | 80V | 3500 | - | 95 |
| SRA 80I B1 | Intermit. | 5V | 80V | 3500 | 1 | 94 |
| SRA 80I B5 | Intermit. | 5V | 80V | 3500 | 5 | 94 |

| | |
|-------------------------|---|
| Operating temperature | -40°C to +85°C |
| Storage temperature | -40°C to +85°C |
| Life Time (@21°C) | @12Vdc continuous use min. 2000 hours (expected life time curve see catalogue p138) |
| Case Material | ABS (UL rating: 94HB) |
| Standard colour of case | Grey |
| Weight | 34g |
| Max current consumption | 15mA |
| Wire | 16 AWG, 14cm |

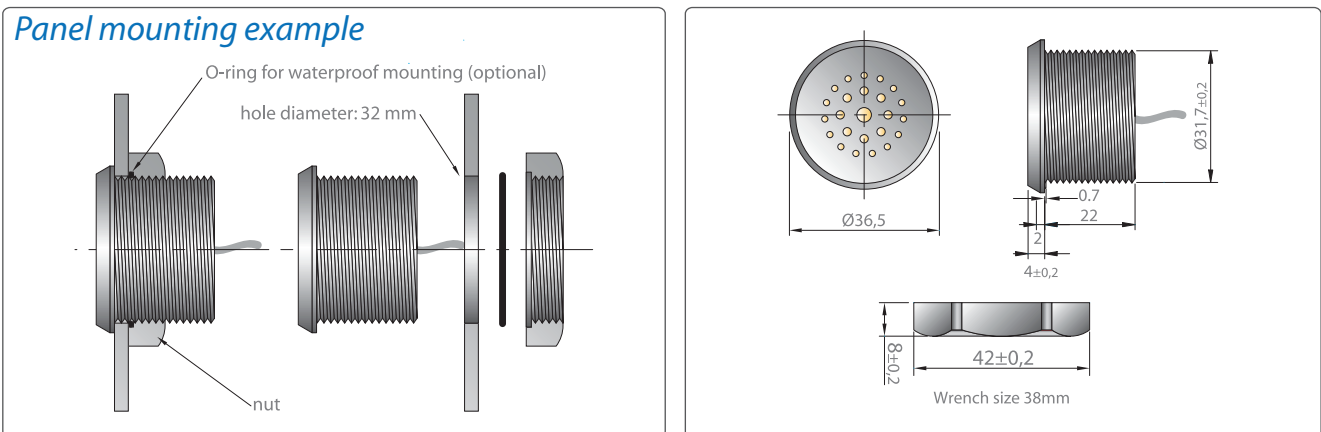
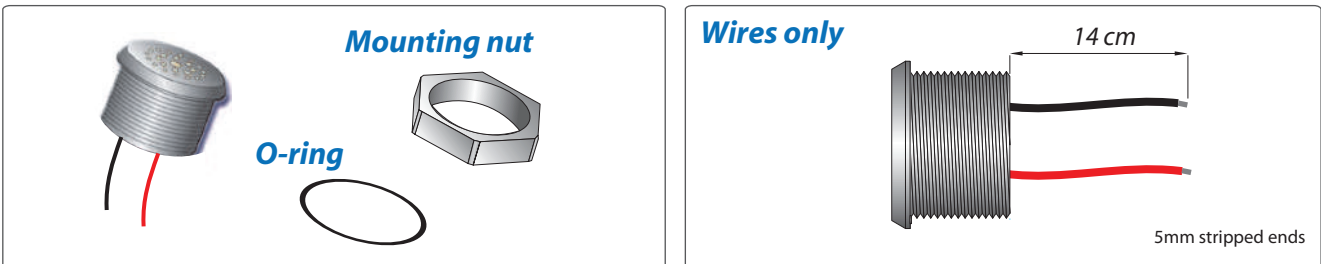
ELECTRICAL PARAMETERS

The buzzer starts sounding from 5Vdc. The sound output increases with raising voltage up to 15Vdc. From 15Vdc to maximum voltage of 80Vdc the sound output remains the same.



All measurements are made @ 12Vdc @ 1 meter in free air @ 21°C.

DIMENSIONS (All dimensions are in mm)



LIST OF AVAILABLE PRODUCT TYPES

| | | |
|-----------|------------|------------|
| SRA 80C A | SRA 80I A1 | SRA 80I A5 |
| SRA 80C B | SRA 80I B1 | SRA 80I B5 |