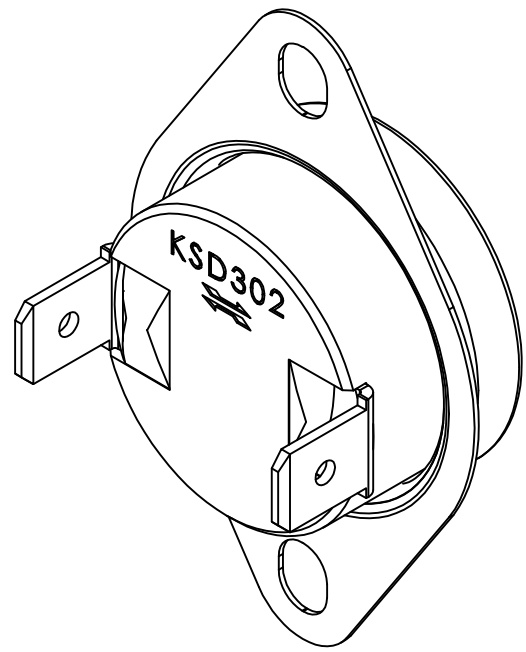
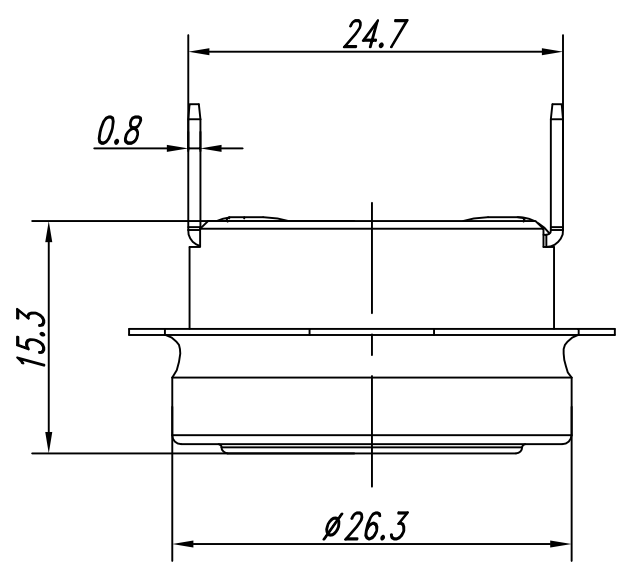
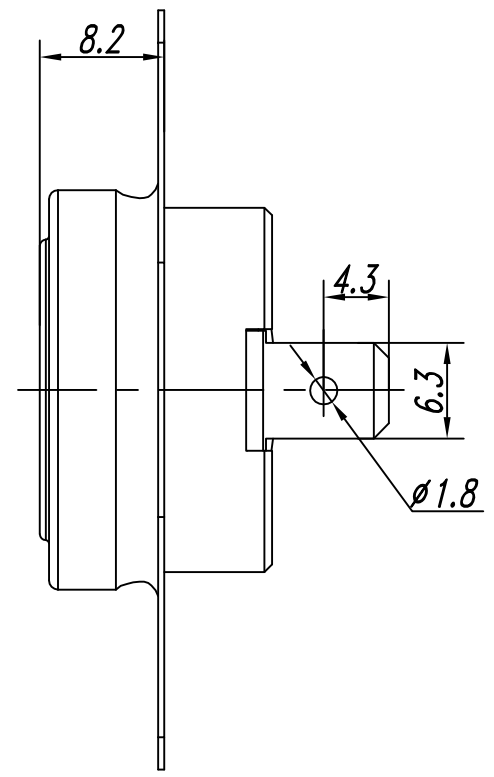
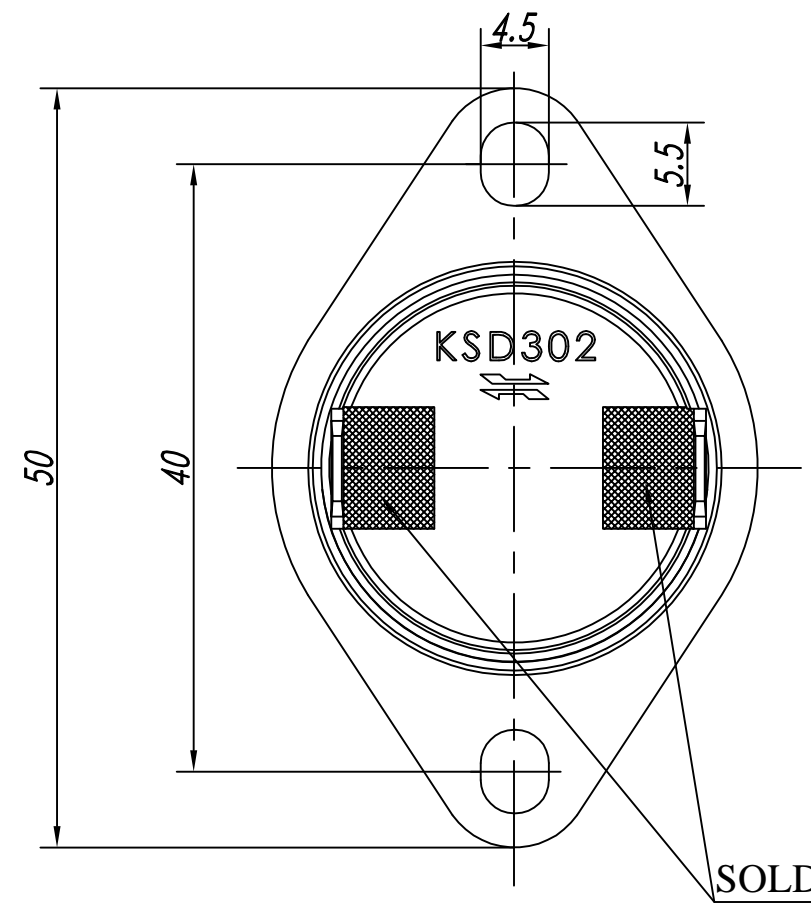


A



B



C

D

Rated voltage	AC 250 V 50Hz/60Hz	
Rated current	25A (resistive load)	
Contacts	SPST, auto-reset	
Operating temperature	OFF: (open) 110±4.0°C	ON: (close) 95±7.0°C
Material of base	phenolic resin	
Material of sensing cover	aluminum	
Material of termina	tin plated brass	
Insulation Resistance	More than 10MW (with DC 500V megger)	
Contact Resistance	≤50m Ω	
Max. ambient temperature	205°C	
Life(resistive load)	more than 30,000 cycles;	
Approved	TUV	
Marking series no.	KSD302 (Laser marking or tool impression)	
Client's PN		

A

B

C

D

Customer should sign and stamp on this drawing before placing orders. If customer place orders without sign and stamp, we will consider customer has confirmed this drawing.

Undeclared tolerance: ±0.5mm Unit: mm Size: A3	Scale: 2 : 1	Title:		Drawing no.:	REV.:
		Snap-Action Thermostat		CS190224	A
Drawn by		Type of product or spec. of material:			
Checked by		KSD302-11.0/25D16S15			
Date	2019-04-04	FSTB TONGBAO-HUALONG CONTROLS CO., LTD.			