
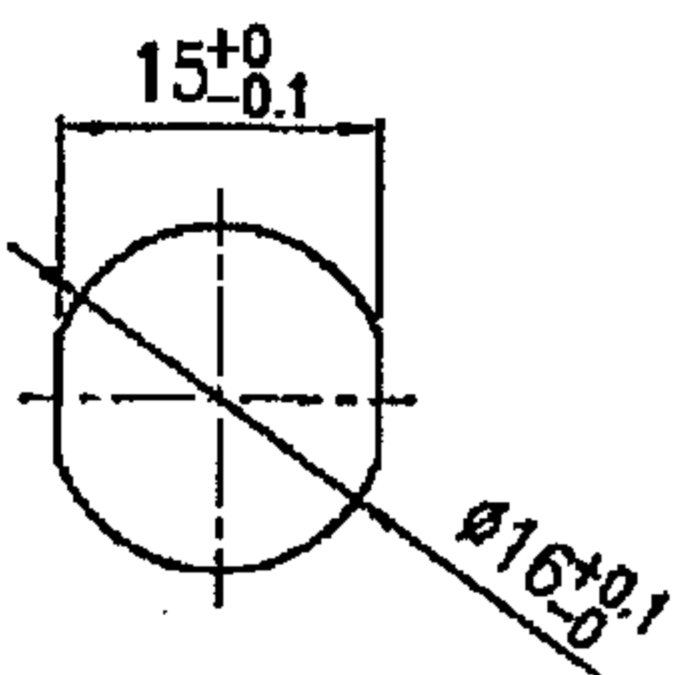
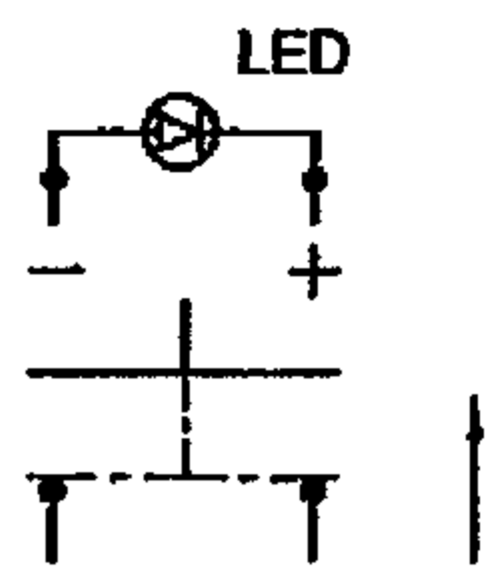
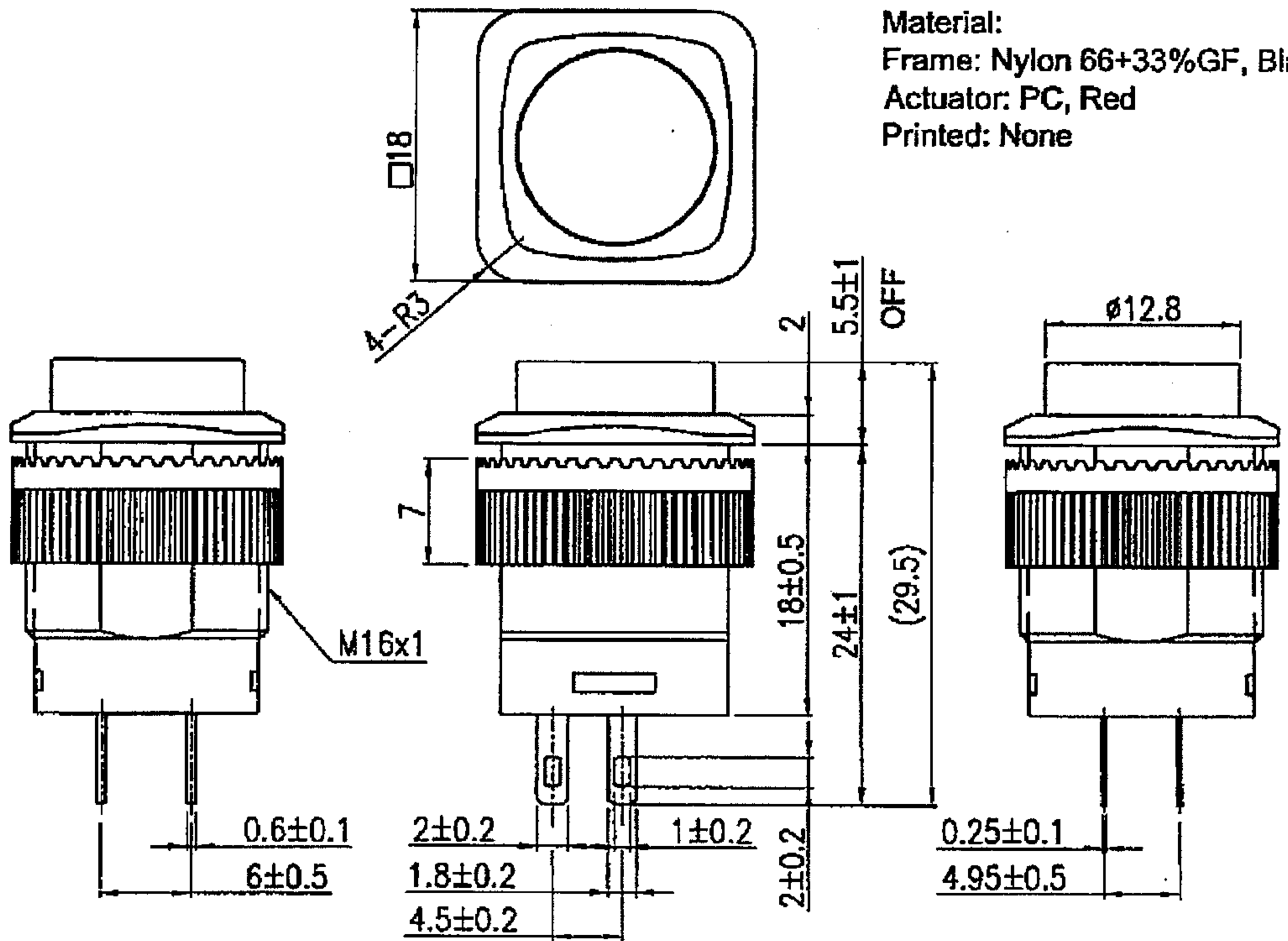
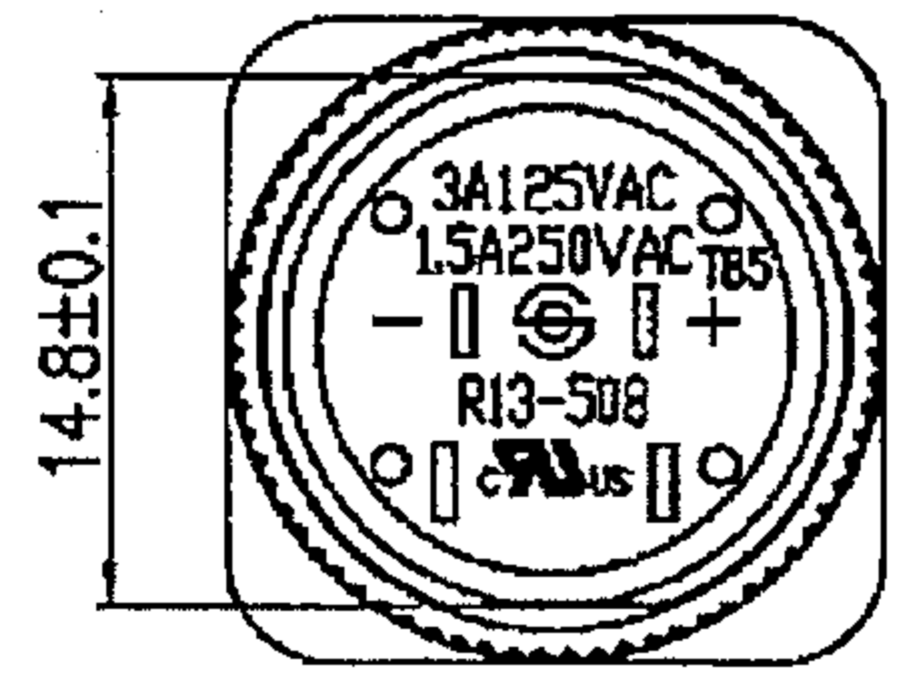


Rating	3A 125V, 1.5A 250V AC 	Mounting Hole	Circuit Diagram
Contact Resistance	50m ohm Max		
Insulation Resistance	DC 500V 100M ohm Min		
Dielectric Strength	AC 1500V 1 minute		
Operation Temperature	-20°C~85°C		
Switch Function	4P SPST OFF-(ON)(LED)		

LED Rating:
Red: If=20 mA, Vf=2 V



Material:
Frame: Nylon 66+33%GF, Black
Actuator: PC, Red
Printed: None



Tolerances ±0.3 Unless Otherwise Specified