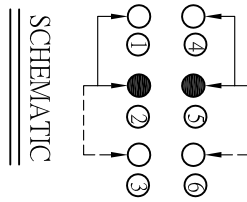
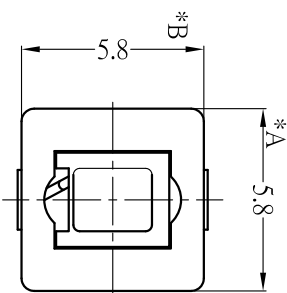


1

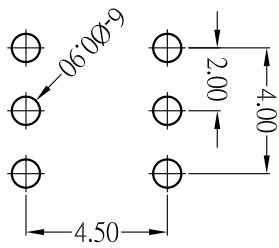
2

3

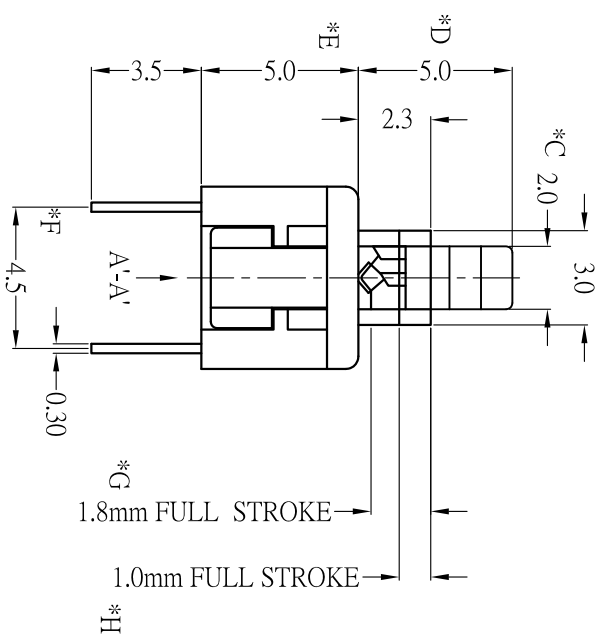
4



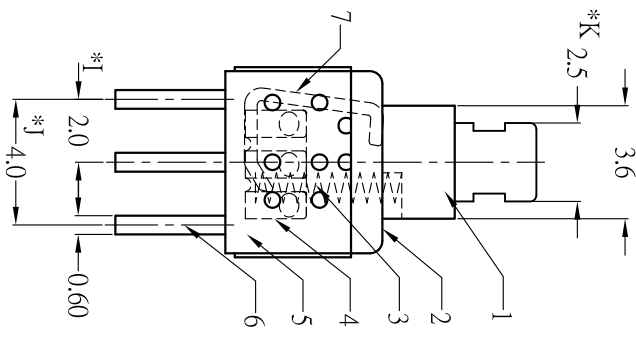
SCHMATIC



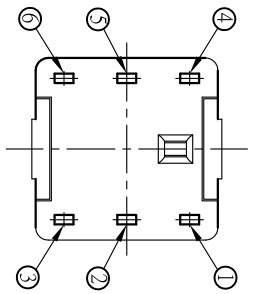
PC.B.LAYOUT



\* CRITICAL DIMENSION



A-A' VIEW



REVISION		DATE
POSITION	DESCRIPTION	
Δ		

D

C

B

A

7	CAM STICK	SUS	1	NATURAL
6	TERMINAL	BRASS STRIP	6	Ag COATING
5	CASE	PA66	1	GREY
4	CONTACT	C5210R-EH	2	Ag CLAD
3	SPRING	SUS	1	NATURAL
2	COVER	POM	1	BLACK
1	KNOB	POM	1	WHITE

D

C

B

A

SERIES : PUSH SWITCH  
 PART NAME: PS-22E58L  
 UNIT : MM  
 SCALE : 1:1  
 REV : A/0

DRAWING NO: CE-ENL-PS9002  
 GENERAL TOLERANCE  
 WITHIN 0.XXmm±0.15mm  
 OVER 0.Xmm±0.25mm

NO.	PART NAME	MATERIAL	QTY	FINISHING
1	APPD.			

1

2

3

4