



Data Sheet

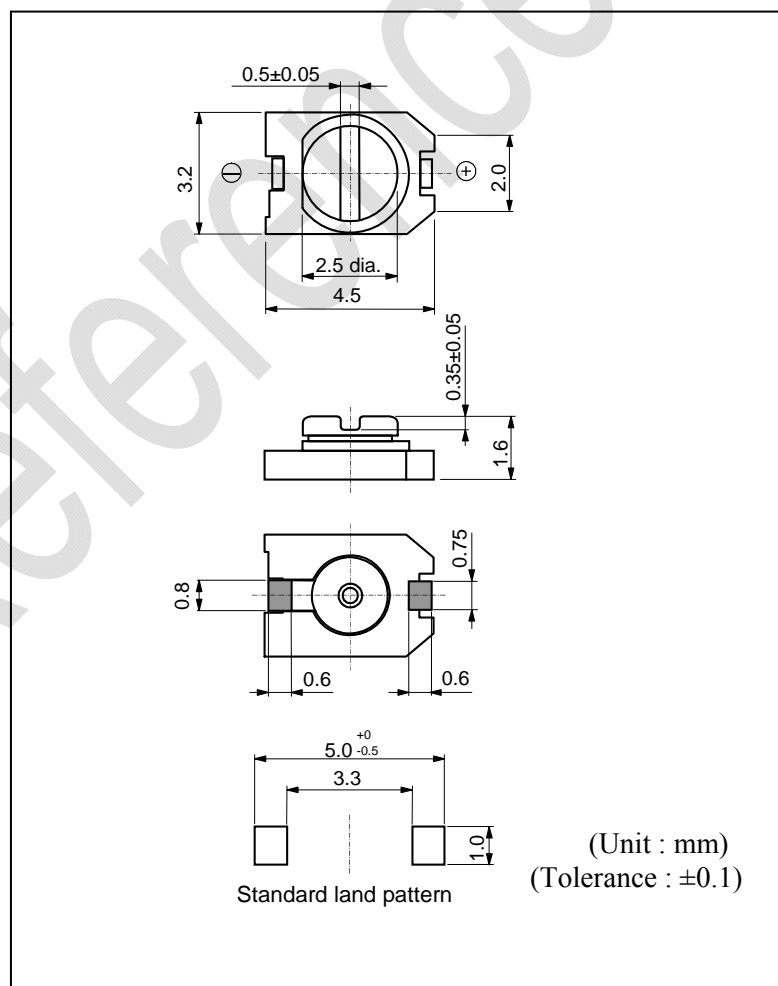
CERAMIC TRIMMER CAPACITOR / TZC3 SERIES

■ Part Number

TZC3 ○○○○ A 110 □□□
 1) 2) 3) 4)

- 1) ○○○○ Temperature characteristics and Maximum capacitance value.
 Refer to the attached specifications table. Ex. R100
- 2) A Terminal shape. Refer to the dimensions for terminal shape A.
- 3) 110 Individual specifications. 110 : Standard
- 4) □□□ Packaging
 [B00] - Bulk 500pcs./bag
 [R00] - Taping (Standard) 1,000pcs./reel (180mm dia.)

■ Outline / Dimensions / Land Pattern



■ Specifications Table

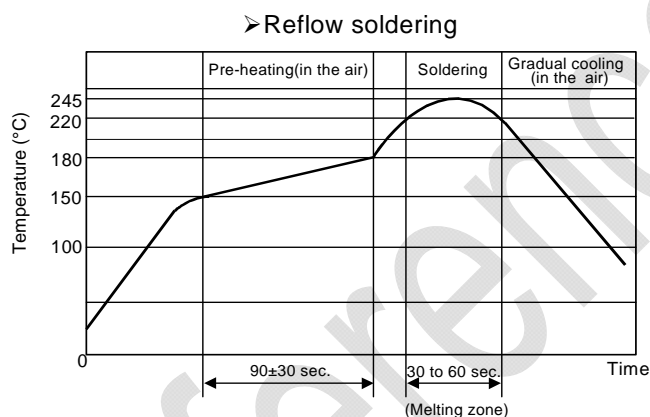
Part Number	Capacitance (pF)		Q at 1MHz (min.)	Rated voltage (V.D.C.)	Temp. Characteristics		Stator color
	Min. (+0%)	Max. (+50/-0%)			Temp. Coefficient (ppm/°C)	Drift (max.)	
TZC3Z030A110	1.4	3.0	300	100	NP0 ±300 (0±300)	±3%	Brown
TZC3Z060A110	2.0	6.0	500	100	NP0 ±300 (0±300)	±3%	Blue
TZC3R100A110	3.0	10.0	500	100	N750±300 (-750±300)	±3%	White
TZC3P200A110	5.0	20.0	300	100	N1200±500(-1200±500)	±3%	Red
TZC3P300A110	6.5	30.0	300	100	N1200±500(-1200±500)	±3%	Green

- Operating temperature range : -25 to +85°C.
- Driving torque : 1.5 ~10.0 mN·m (Ref.; 15~100gf·cm)

Caution for Using

■ Soldering

- (1) Standard soldering condition (Standard Pb free solder type : 96.5Sn/3.0Ag/0.5Cu)



➤ Soldering iron

Temperature of tip	: 350°C
Soldering time	: 3sec. max.
Diameter	: 1mm max.
Wattage of iron	: 20W max.

- (2) The thickness of solder paste should be printed from 150μm to 200μm at re-flow soldering.
 (3) Do not use flow-soldering (dipping) method.

■ Cleaning

Can not be cleaned because of open construction. If cleaning the TZC3 series, silicone oil applied to the movable part of the TZC3 will also be washed out, therefore the trimmer capacitor may deviate from the specified characteristics.

■ Adjusting

- (1) Do not apply excessive force (preferable 1.0N(Ref; 100gf) max.) to minimize capacitance drift.
 (2) Use suitable screwdriver that fit comfortably in driver slot. (Murata Part No. : KMDR010)
 (3) Do not use any adhesive bond to fix moving parts after adjusting.

End of Document