

SLIDE SWITCH FOR P.C.B.
ESP-SPDT SERIES



ESP10XX



ESP20XX



ESP30XX



ESP40XX

■ **FEATURES**

- The distance of 2 adjacent pins or stacked devices is 2.54 mm pitch
- All plastics are UL 94V-O grade fire retardant
- Low contact resistance and long mechanical life, suitable for signal switching and communication equipments.

■ **APPLICATIONS**

- Measuring point changeover switches
- Service switch
- Controls for consumer devices

■ **SPECIFICATIONS**

◆ **SPDT TYPE (ESP10,20,30,40 Series)**

1. ELECTRICAL CHARACTERISTICS

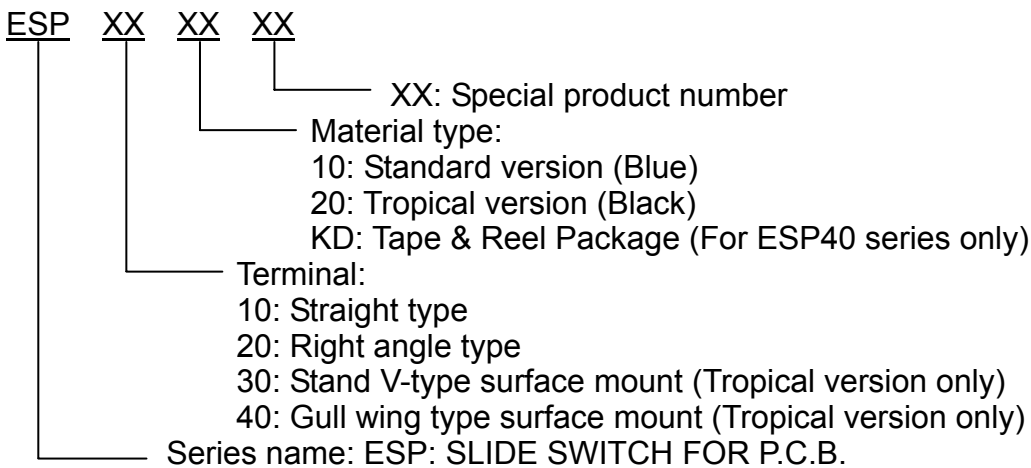
| | |
|--------------------------|-----------------------------|
| ● Contact rating | 0.2A, 24VDC; 0.5A, 12VDC |
| ● Minimum contact rating | 1mA, 10mV |
| ● Contact resistance | Initial: 50mΩ Max. |
| | After life test: 100mΩ Max. |
| ● Dielectric strength | 2mA, 500VDC for 60sec. |
| ● Capacitance | 1.5pF Max. |
| ● Insulation resistance | 10000MΩ Min. under 500VDC |
| ● Mechanical life | 5000 operations |



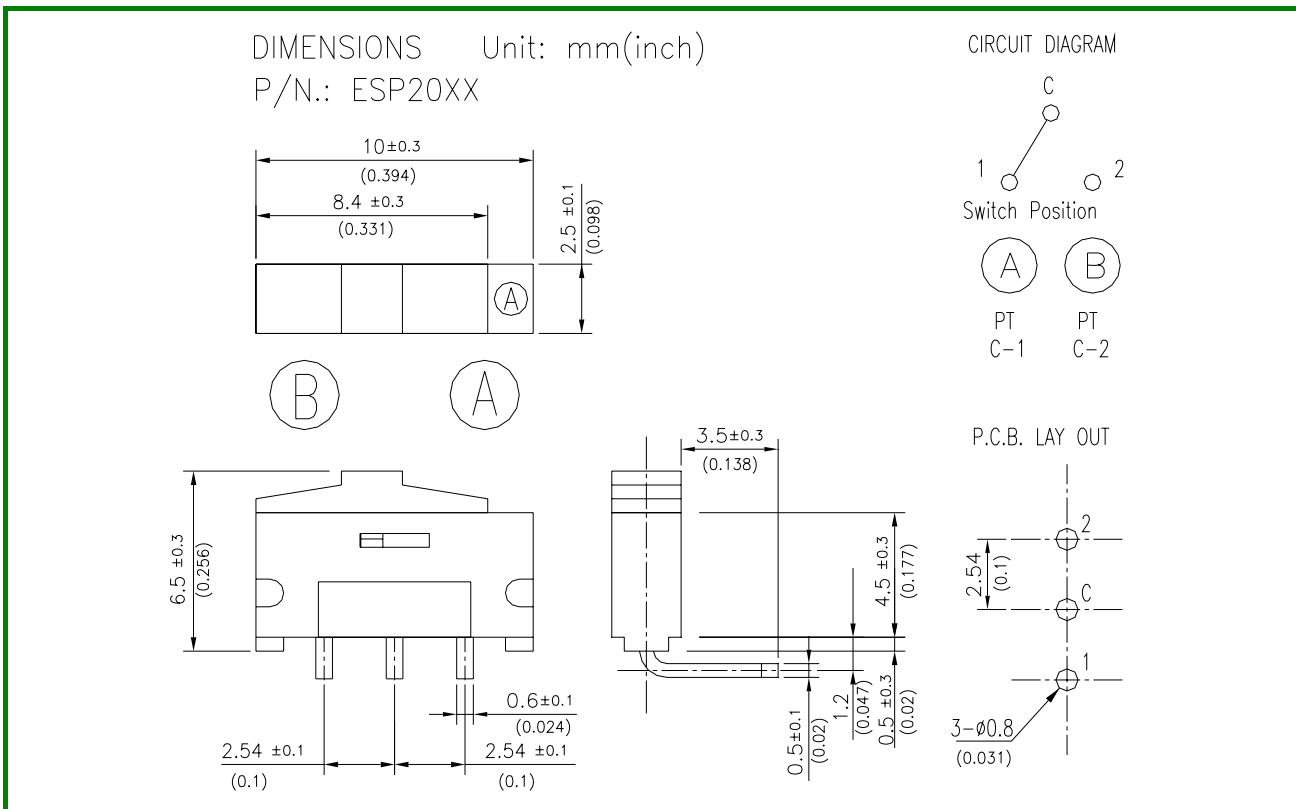
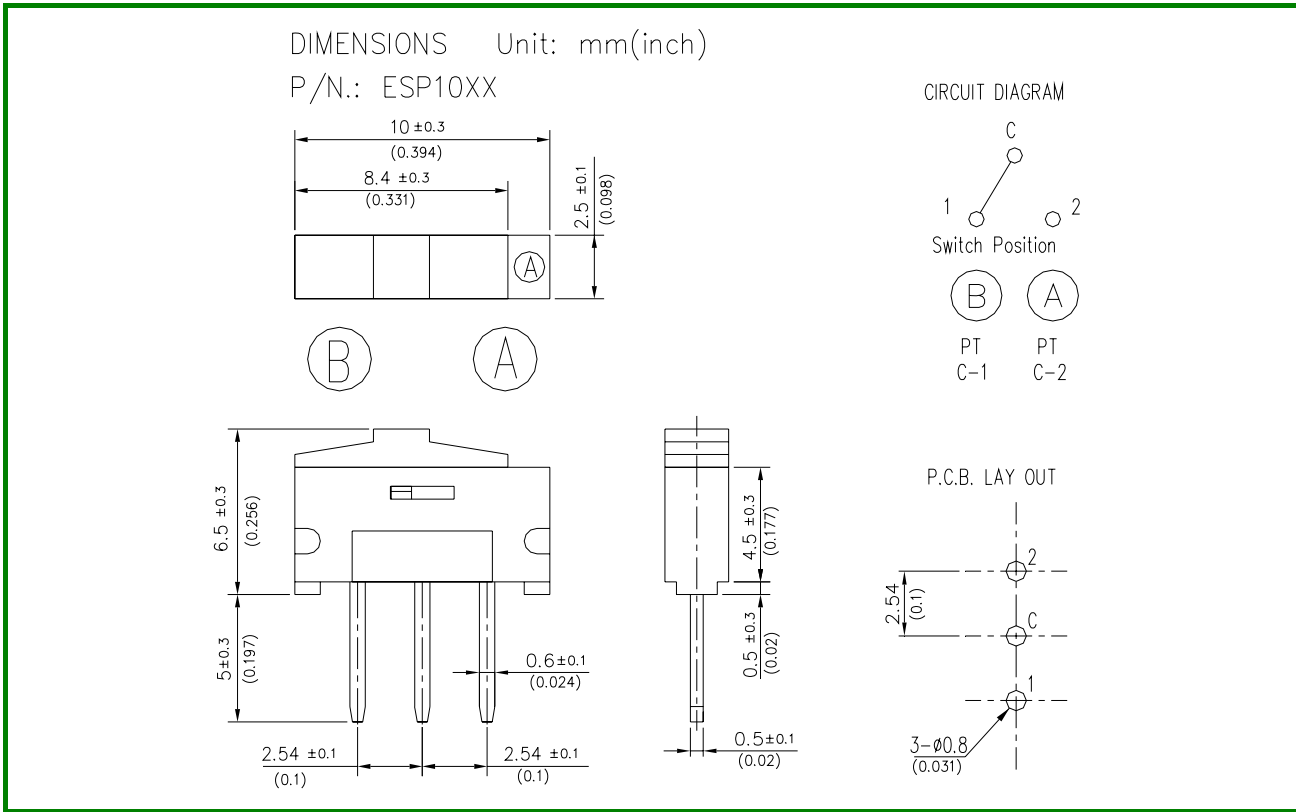
2. GENERAL CHARACTERISTICS

| | | |
|--|-----------|---|
| ● Temperature range | operating | -25°C ~ +70°C |
| | storage | -40°C ~ +85°C |
| ● Solder temperature | | 230°C for 3 sec. |
| ● Vibration | | normal operation at 10Hz to 60Hz, 1.5mm movement |
| ● Salt spray | | 35°C, 5% for 24hours |
| ● Reflow soldering heat for SMT type (reference) | | |

■ PART NUMBERING SYSTEM

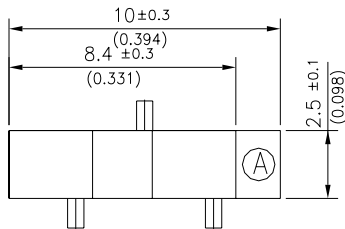


DIMENSIONS AND CIRCUITRY

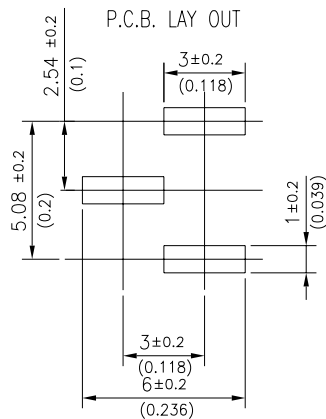
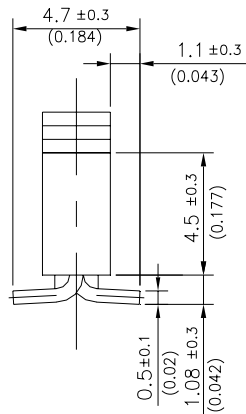
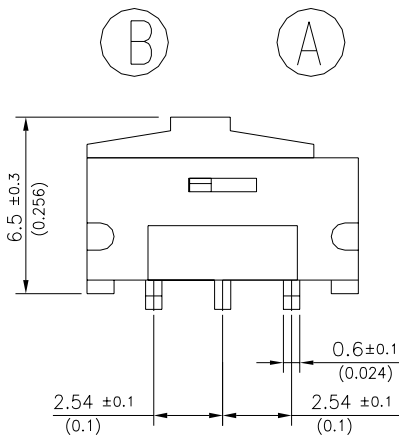
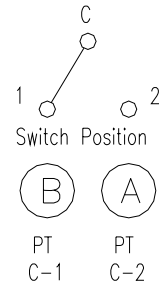


DIMENSIONS Unit: mm(inch)

P/N.: ESP30XX

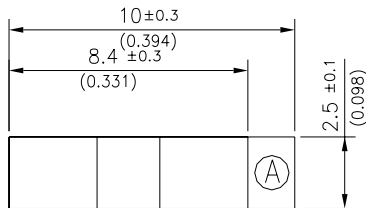


CIRCUIT DIAGRAM



DIMENSIONS Unit: mm(inch)

P/N.: ESP40XX



CIRCUIT DIAGRAM

