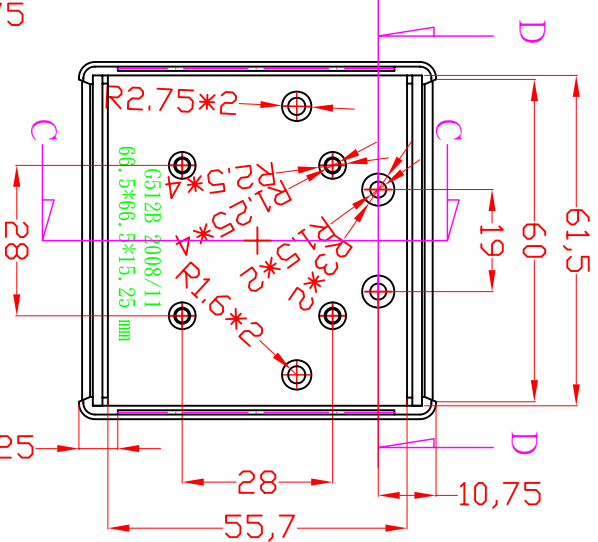
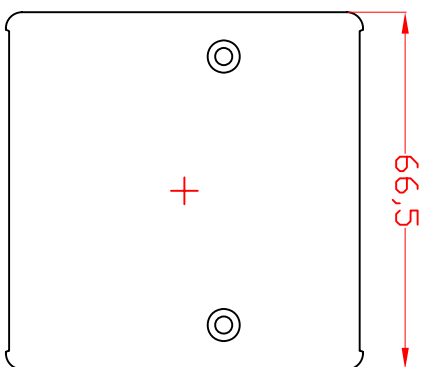
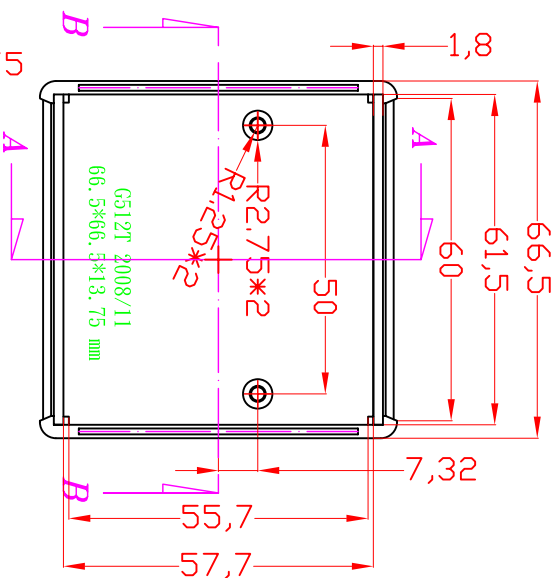
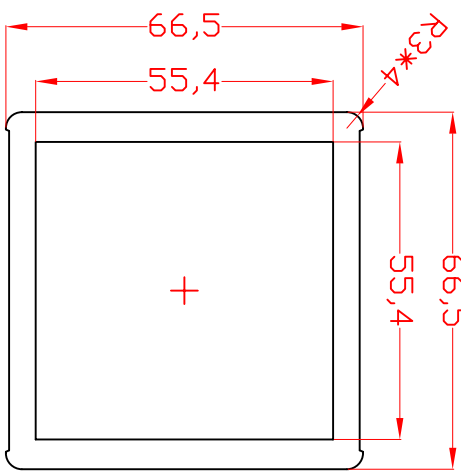


G512B-2\$;G512G-2\$

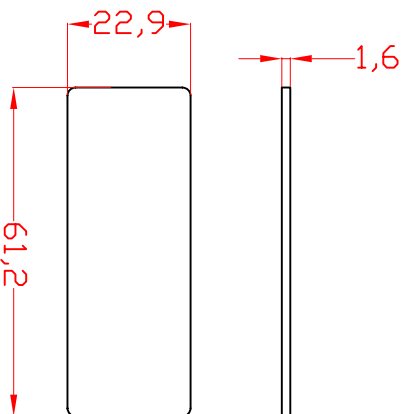
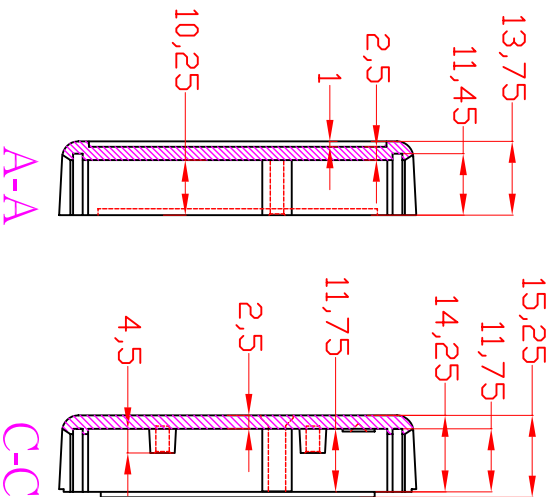


TOP

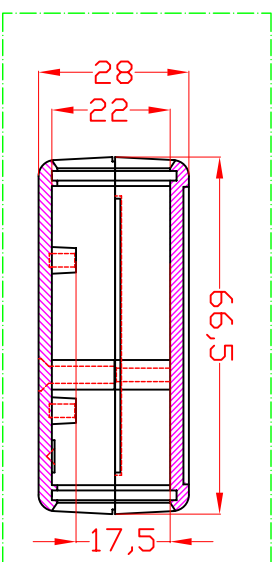
B-B

BASE

D-D



PANEL - " \$"



According to ISO 2768-m	
Measuring DIM.=L	Tolerance
0.5<L≤3.0 mm	±0.1 mm
3.0<L≤6.0 mm	±0.1 mm
6.0<L≤30.0 mm	±0.2 mm
30.0<L≤120.0 mm	±0.3 mm
120.0<L≤400.0 mm	±0.5 mm
400.0<L≤1000.0 mm	±0.8 mm

ITEM NO	DESCRIPTION
G512B-2\$	BLACK<<G512T+G512B>>*1+BLACK<<PANEL-"\$">>*2+M3*21 mm BLACK SCREWS *2
G512G-2\$	GRAY<<G512T+G512B>>*1+GRAY<<PANEL-"\$">>*2+M3*21 mm BLACK SCREWS *2

宣文實業有限公司
GAINTA INDUSTRIES LTD.

DES'ID
設計 BY

DRA'D
繪圖 BY

CHK'D
核圖 BY

SCALE
比例

DATE
日期

MATE.
材質

TITLE
圖名

DWG NO.
圖號

REVISID
圖號

DESCRIPTION
說明

JACKY

JACKY

JACKY

SCALE

2009/1/7

ABS

G512B-2\$;G512G-2\$

A