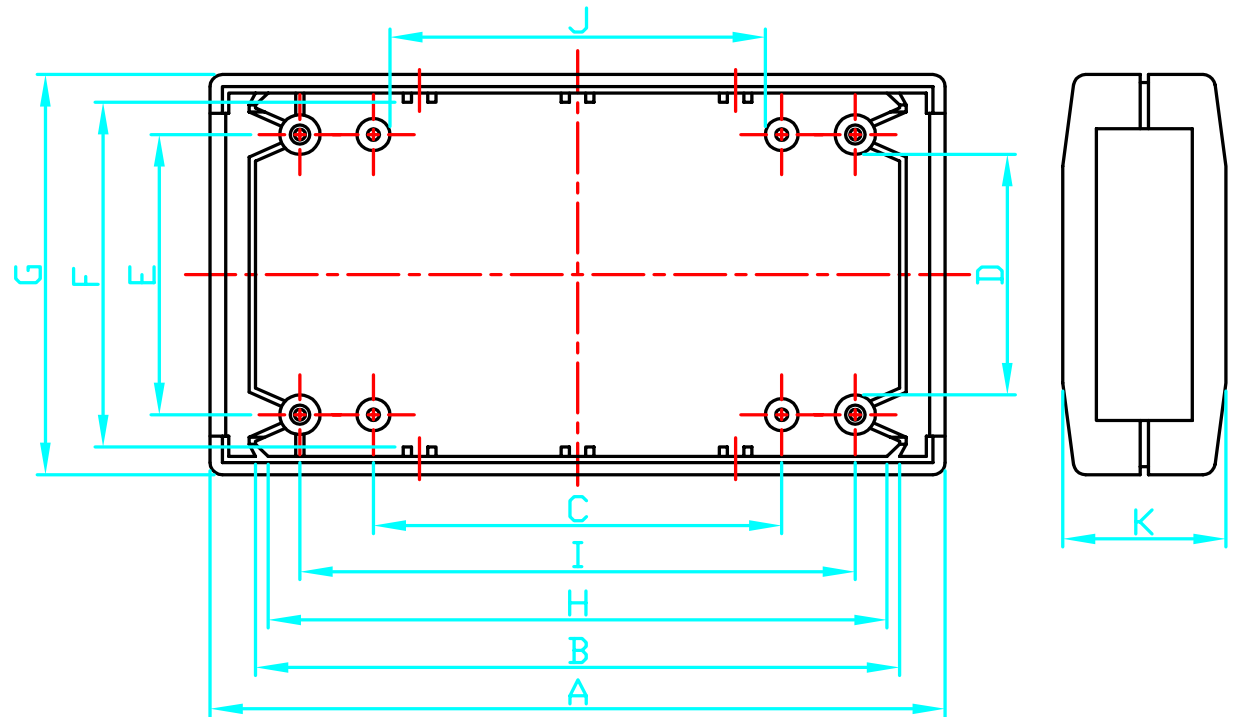
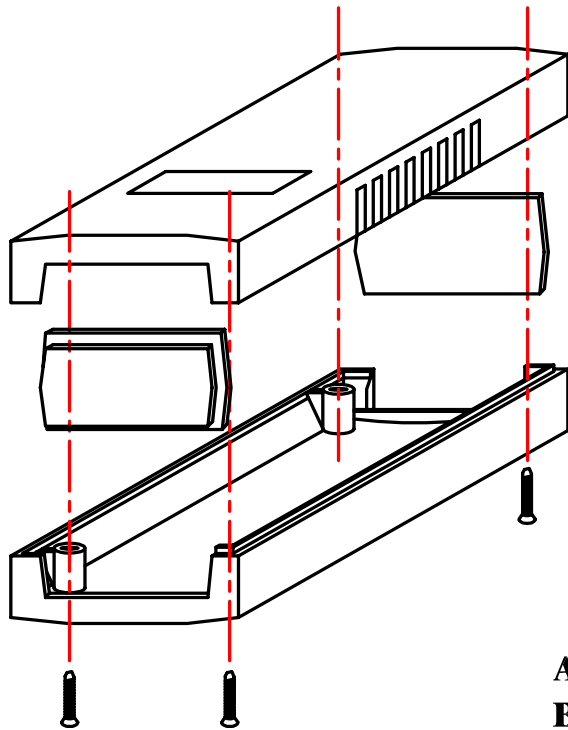


# 400 SERIES



	<b>G430</b>	<b>G431</b>	<b>G434</b>	<b>G436</b>	<b>G438</b>	<b>G440</b>	<b>G443</b>	<b>G445</b>	<b>G447</b>	<b>G452</b>	<b>G454</b>	<b>G459</b>
	<b>G401</b>	<b>G403</b>	<b>G404</b>	<b>G407</b>	<b>G410</b>	<b>G412</b>	<b>G413</b>	<b>G416</b>	<b>G418</b>	<b>G421</b>	<b>G422</b>	<b>G425</b>
<b>A</b>	90	90	90	120	120	120	150	150	150	190	190	190
<b>B</b>	83	83	83	111	111	111	138	138	138	180	180	180
<b>C</b>	50	50	50	80	80	80	110	110	110	150	150	150
<b>D</b>	27.5	27.5	27.5	26	26	26	46	46	46	65	65	65
<b>E</b>	35	35	35	35	35	35	55	55	55	75	75	75
<b>F</b>	40.5	40.5	40.5	44	44	44	64	64	64	83	83	83
<b>G</b>	50	50	50	60	60	60	80	80	80	100	100	100
<b>H</b>	79.4	79.4	79.4	108	108	108	138	138	138	176	176	176
<b>I</b>	68	68	68	98	98	98	128	128	128	168	168	168
<b>J</b>	42.5	42.5	42.5	72	72	72	100	100	100	140	140	140
<b>K</b>	16	24	32	30	40	50	30	45	60	40	60	80

宣又實業有限公司  
GAINTA INDUSTRIES LTD.

設計 DES'D BY

繪圖 DRA'D BY

核圖 CHK'D BY

比例 SCALE

日期 DATE

材質 MATE.

圖名 TITLE:  
400 SERIES

圖號 DWG NO.:

圖號 REVISID

說明 DESCRIPTION