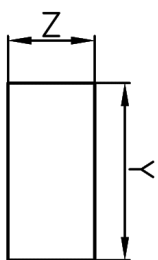


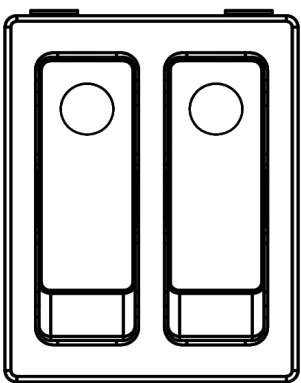
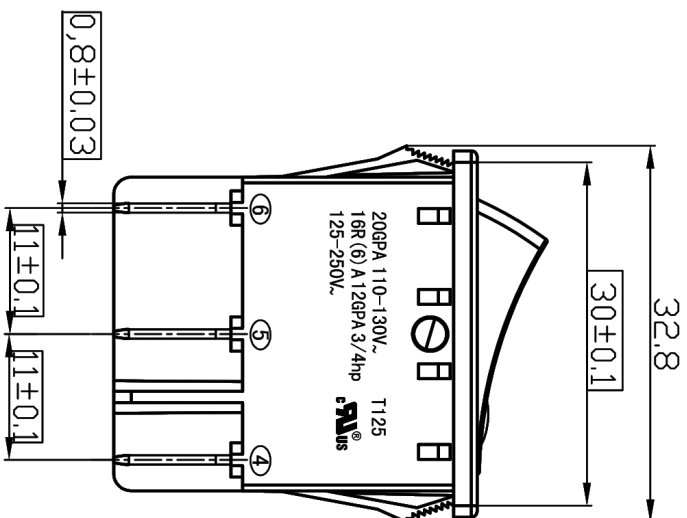
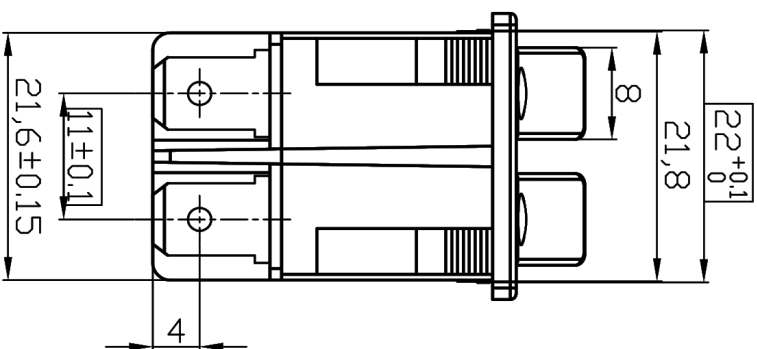
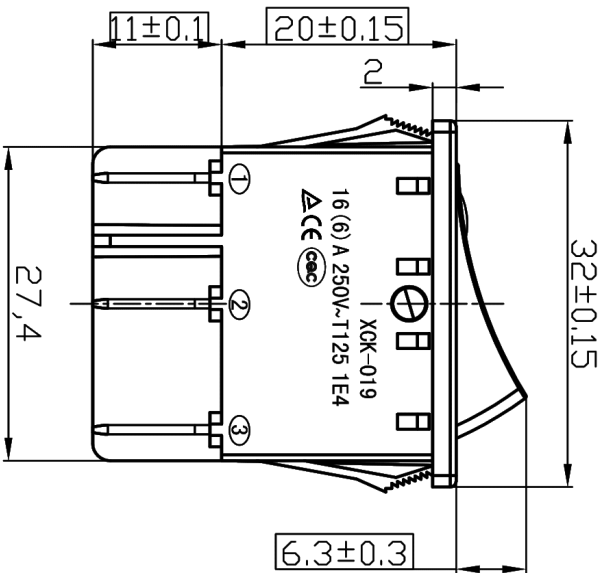
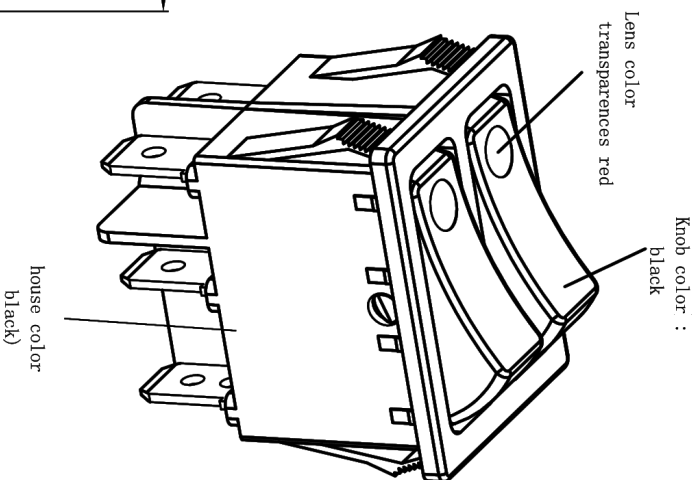
(Circuit)



(Switch panel hole dim.)
(Panel Thickness)

X	Dim. Y	Dim. Z
0.75 ~ 1.25mm	30 ^{+0.1}	22 ^{-0.1}
1.25 ~ 2mm	30.1 ^{+0.1}	22 ^{-0.1}
2 ~ 3mm	30.2 ^{+0.1}	22 ^{-0.1}

Assemble hole dimension



01	—	(INITIAL RELEASE)	
(REV.)	(REF.)	(DESCRIPTION)	
(NAME)		(Function)	LIGHT ON-OFF
(MODEL NO.)	XCK-019		
(Material No.)	XCK-019-196-11R	(SCALE)	NTS

(Tolerance unless otherwise specified; X = ±0.2; x = ±0.15; xx = ±0.1; < = ±1° UNIT: mm)

